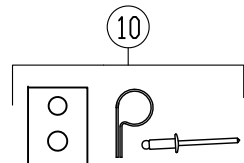


SEE FIGURE A FOR ATTACHMENT

HEAVY DUTY SS P-CLIP
*USED AS OPTION FOR MORE ROBUST AND IMPACT RESISTANCE.



RUBBER SKIRT ATTACHMENT KIT. USED AS ALTERNATE OPTION.

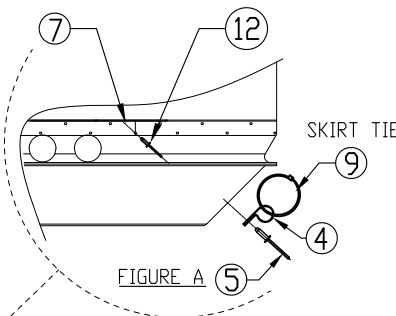
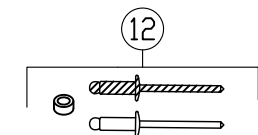


FIGURE A




RETENTION HARDWARE KIT INCLUDES ALL RIVETS AND SPACERS NEEDED TO INSTALL RETENTION STRIPS

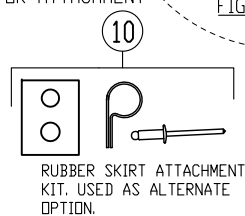
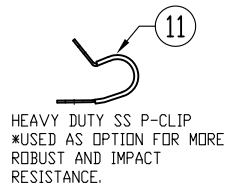
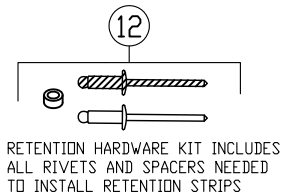
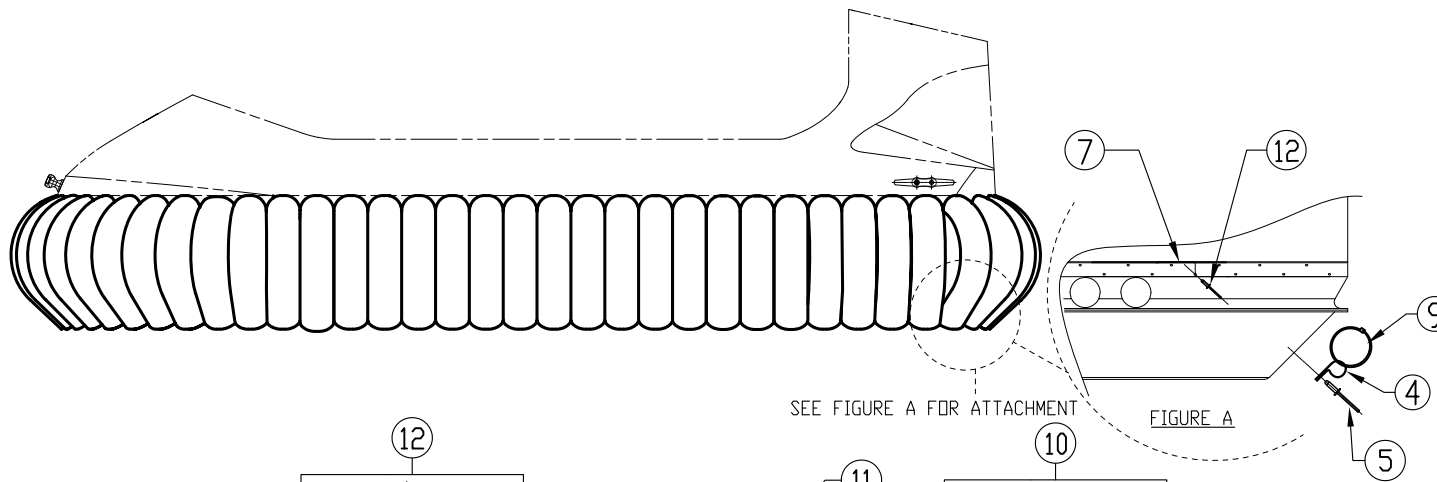
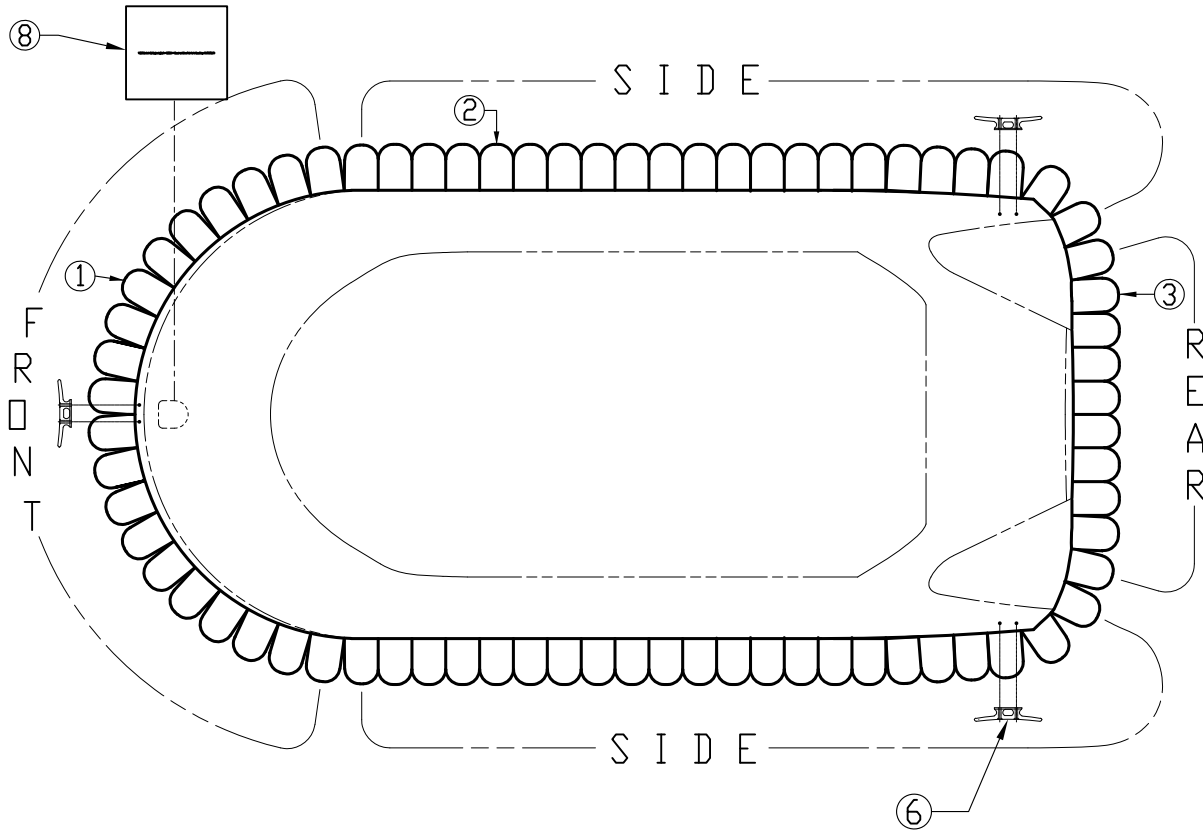
BILL OF MATERIAL			
REF.	PART #	DESCRIPTION	QTY.
1	5362	FRONT SEGMENT, BLACK	20
1	6542	FRONT SEGMENT, RED	20
1	6543	FRONT SEGMENT, BLUE	20
2	3557	SIDE SEGMENT, BLACK	36
2	6544	SIDE SEGMENT, RED	36
2	6545	SIDE SEGMENT, BLUE	36
3	3558	REAR SEGMENT, BLACK	10
3	6546	REAR SEGMENT, RED	10
3	6547	REAR SEGMENT, BLUE	10
	3559	HT4 SKIRT SYSTEM, BLACK**	-
	6548	HT4 SKIRT SYSTEM, RED**	-
	6549	HT4 SKIRT SYSTEM, BLUE**	-
	9424	HT4 H.D. SKIRT SYSTEM WITH TEARDROP**	-
1	9426	HEAVY DUTY FRONT SEGMENT TEARDROP	20
2	9425	HEAVY DUTY SIDE SEGMENT TEARDROP	36
3	9427	HEAVY DUTY REAR SEGMENT TEARDROP	10
4	2192	P-CLIP	66
5	2185	RIVET	66
6	1043	CLEAT ASSEMBLY	3
7	6423	4-PASS SKIRT RETENTION KIT	1
8	5707	NEOTERIC FRONT LOGO	1
9	2371	SKIRT TIES	136
10	5276	RUBBER SKIRT ATTACHMENT ASSEMBLY	66
11	2309	STAINLESS STEEL P-CLIP	66
12	9634	4-PASS SKIRT RETENTION HARDWARE KIT	-

** ALL HT4 SKIRT SYSTEMS INCLUDE:
- 21 FRONT SEGMENTS
- 11 REAR SEGMENTS
- 37 SIDE SEGMENTS
- 136 SKIRT TIES

CJ	3	ADDED P-CLIP AND RIVETS	20 NOV, 2015
CJ	-	ADDED ZIP TIES TO B.O.M	1 JUN, 2015
CS	2	UPDATE TO STD II, ADD 6423	11 NOV, 2014
SIG. NO.		REVISION	DATE


Neoteric Hovercraft Inc.
 1649 TIPPECANOE STREET
 TERRE HAUTE, INDIANA, U.S.A. 47807-2394
 TELEPHONE (812) 234-1120 FAX (812) 234-3217

DRAWN: C. STEIMEL	NAME: HT4 SKIRT SYSTEMS
DATE: 22 DEC, 2011	NUMBER: 17773 REV. 3



SEE FIGURE A FOR ATTACHMENT

FIGURE A

BILL OF MATERIAL			
REF.	PART #	DESCRIPTION	QTY.
1	5362	FRONT SEGMENT, BLACK	20
1	6542	FRONT SEGMENT, RED	20
1	6543	FRONT SEGMENT, BLUE	20
2	3557	SIDE SEGMENT, BLACK	44
2	6544	SIDE SEGMENT, RED	44
2	6545	SIDE SEGMENT, BLUE	44
3	3558	REAR SEGMENT, BLACK	10
3	6546	REAR SEGMENT, RED	10
3	6547	REAR SEGMENT, BLUE	10
	5927	HT6 SKIRT SYSTEM, BLACK **	-
	6893	HT6 SKIRT SYSTEM, RED **	-
	6894	HT6 SKIRT SYSTEM, BLUE **	-
	9433	HT6 H.D. SKIRT SYSTEM TEARDROP**	-
1	9426	HEAVY DUTY FRONT SEGMENT TEARDROP	20
2	9425	HEAVY DUTY SIDE SEGMENT TEARDROP	44
3	9427	HEAVY DUTY REAR SEGMENT TEARDROP	10
4	2192	P-CLIP	77
5	2185	RIVET	77
6	1043	CLEAT ASSEMBLY	3
7	6424	6-PASS SKIRT RETENTION KIT	1
8	5707	NEOTERIC FRONT LOGO	1
9	2371	SKIRT TIES	152
10	5276	RUBBER SKIRT ATTACHMENT ASSEMBLY	77
11	2309	STAINLESS STEEL P-CLIP	77
12	9635	6-PASS SKIRT RETENTION HARDWARE KIT	-

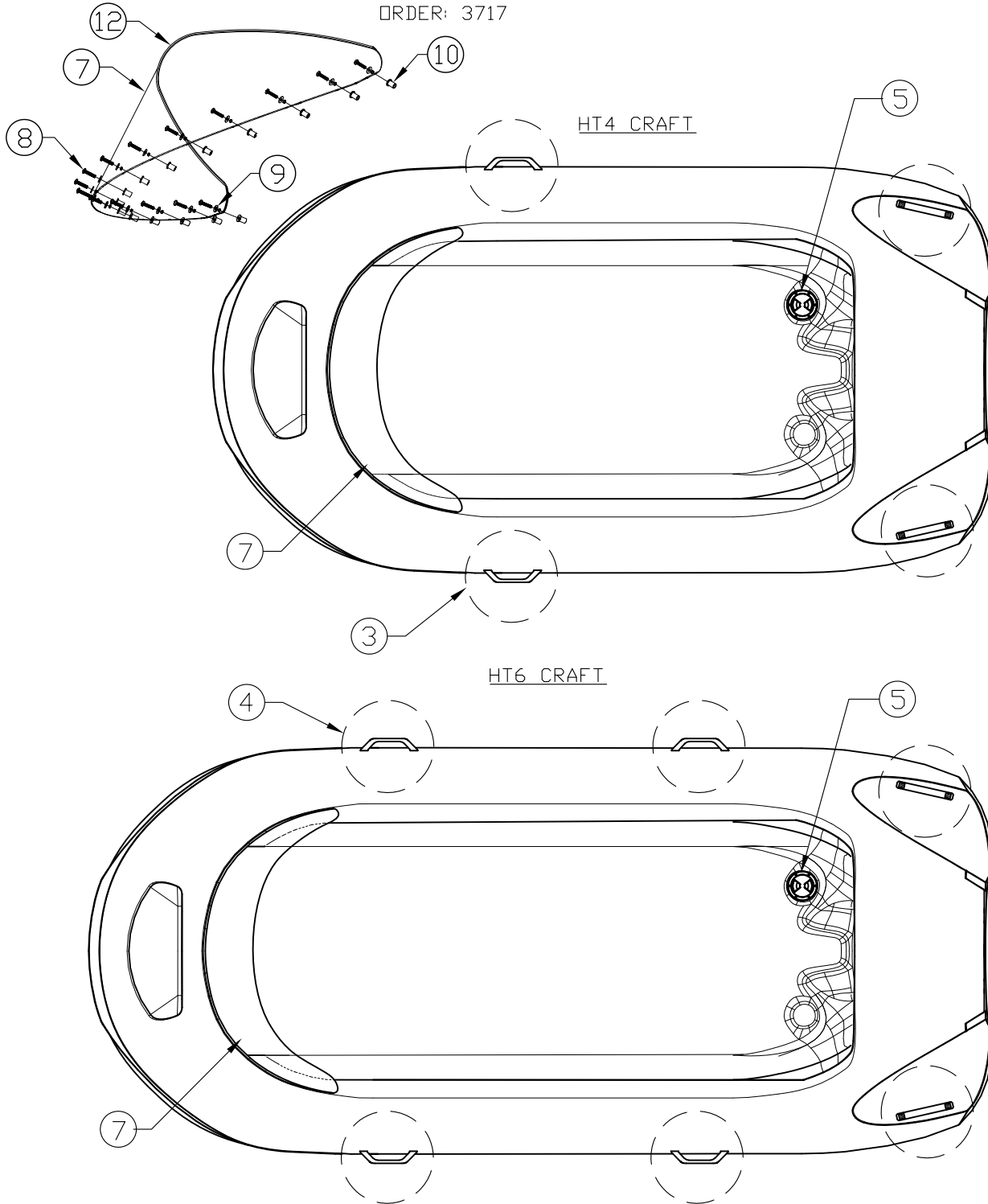
** ALL HT6 SKIRT SYSTEMS INCLUDE:
 - 21 FRONT SEGMENTS
 - 11 REAR SEGMENTS
 - 45 SIDE SEGMENTS
 - 152 SKIRT TIES

CJ	3	ADDED P-CLIP & RIVETS	20 NOV, 2015
CJ	-	ADDED ZIP TIES TO B.O.M	1 JUN, 2015
CS	2	UPDATE TO STD II, ADD 6424	11 NOV, 2014
SIG. NO.		REVISION	DATE

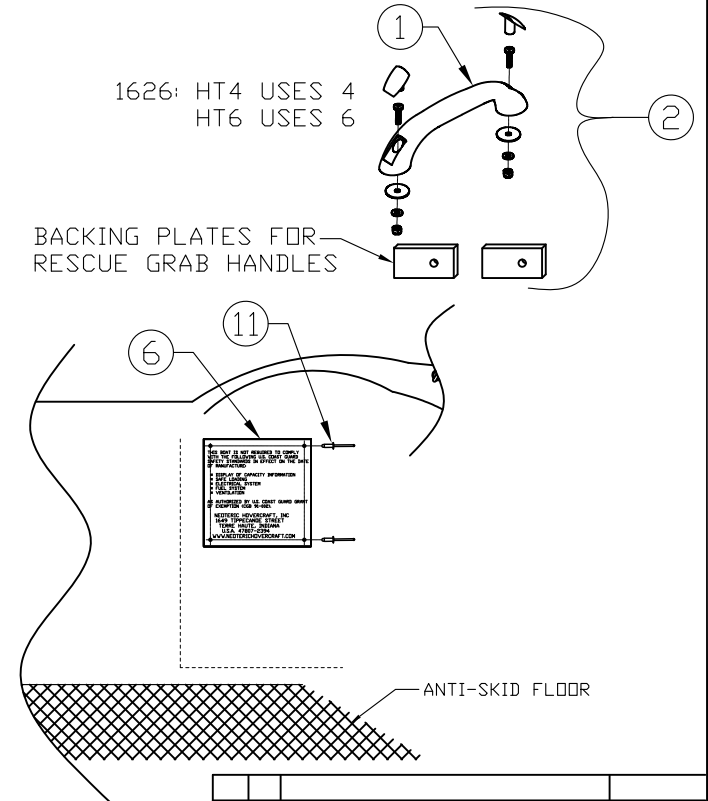

Neoteric Hovercraft Inc.
 1649 TIPPECANOE STREET
 TERRE HAUTE, INDIANA, U.S.A. 47807-2394
 TELEPHONE: (812) 234-1120 FAX: (812) 234-3217

DRAWN: C. STEIMEL	NAME: HT6 SKIRT SYSTEMS
DATE: 22 DEC, 2011	NUMBER: 17774 REV. 3

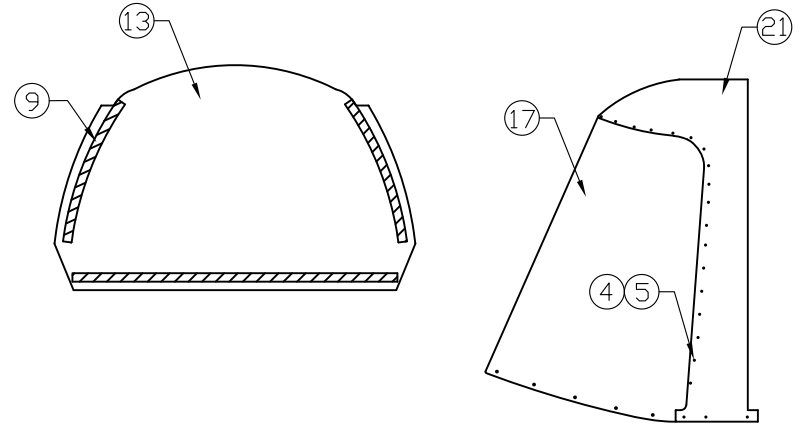
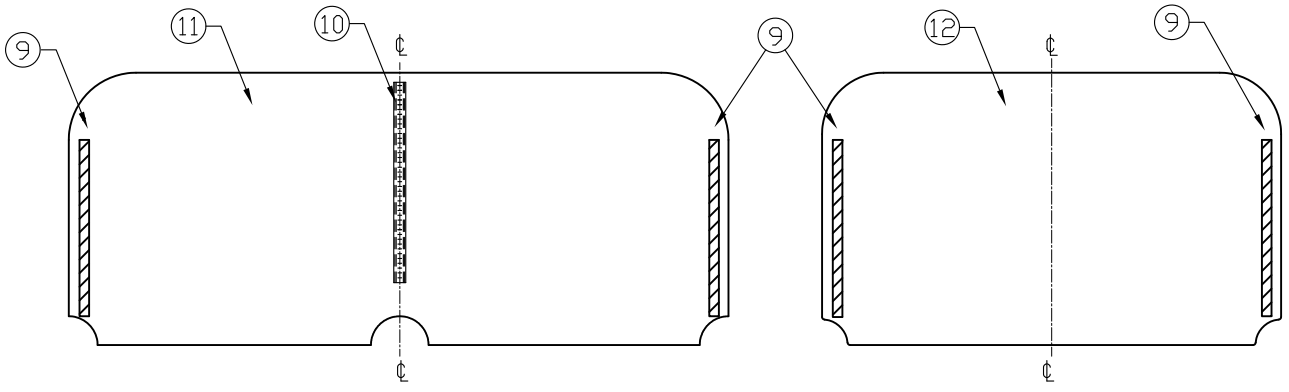
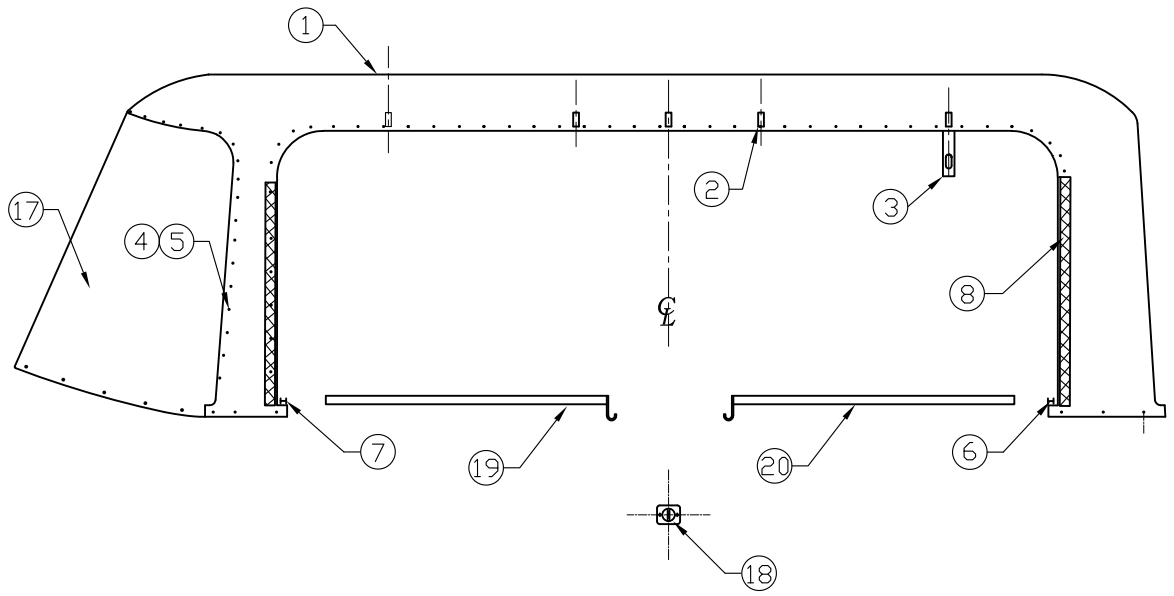
TO PURCHASE WHOLE WINDSHIELD KIT
ORDER: 3717



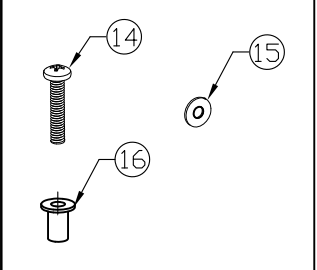
BILL OF MATERIAL			
REF.	PART #	DESCRIPTION	QTY.
1	7460	GRAB HANDLE	1
2	1626	SAFETY GRAB HANDLE ASSEMBLY	1
3	3962	HT4 RESCUE LIFT HANDLE SYSTEM	1
4	6955	HT6 RESCUE LIFT HANDLE SYSTEM	1
5	704	DRAIN PLUG ASSEMBLY	1
6	1179	COAST GUARD CAP LABEL	1
7	3768	HT WINDSHIELD	1
7	9141	HT RAISED WINDSHIELD (OPTIONAL)	1
8	2709	SCREW, SS	15
9	2362	WASHER, SS	15
10	2552	WELL NUT	15
11	2058	RIVET, AL	4
12	960058	WINDSHIELD TRIM	0



SIG. NO.	REVISION	DATE
1649 TIPPECANOE STREET TERRE HAUTE, INDIANA, U.S.A. 47807-2394 TELEPHONE (812) 234-1120 FAX (812) 234-3217		
DRAWN: CJ POEHLEIN	NAME: HOVERTREK BODY COMPONENTS	REV. 3
DATE: 17 AUG, 2016	NUMBER: 17772	



HARDWARE TO MOUNT CABIN



BILL OF MATERIAL		
REF.	PART #	DESCRIPTION
1	3809	4 PASSENGER CABIN
1	6402	6 PASSENGER CABIN
2	2971	CLIP
3	3734	STRAP
4	2058	1/8 POP AL RIVET
5	2359	1/8 POP RIVET WASHER
6	2309	4 PASSENGER CABIN CLIP REAR
6	7414	6 PASSENGER CABIN CLIP REAR
7	3949	4 PASSENGER CABIN CATCH FORWARD
7	7413	6 PASSENGER CABIN CLIP FORWARD
8	3505	VELCRO HOOK
9	3504	VELCRO LOOP
10	7096	PLASTIC ZIPPER 24"
11	7320	6 PASSENGER PVC CAB WINDOW PORT
11	7421	6 PASSENGER PVC CAB WINDOW STARB
12	3594	4 PASSENGER PVC CAB WINDOW PORT
12	3595	4 PASSENGER PVC CAB WINDOW STARB
13	3733	4 PASSENGER PVC CAB WINDOW REAR
13	7319	6 PASSENGER PVC CAB WINDOW REAR
14	2709	SCREW
15	2362	WASHER
16	2552	WELL NUT
17	3824	CABIN FRONT WINDSHIELD
18	7317	CENTER HOLD DOWN (6 PASSENGER)
19	7350	6 PASSENGER FRONT WINDOW SUPPORT, PORT
19	7349	6 PASSENGER FRONT WINDOW SUPPORT, STARB
20	7351	6 PASSENGER REAR WINDOW SUPPORT, PORT
20	7352	6 PASSENGER REAR WINDOW SUPPORT, STARB
21	3675	CABIN FRONT ASSEMBLY (PARTIAL CABIN)
	6962	PVC GLUE
	1964	HT4 CABIN ASSEMBLY
	6962	HT6 CABIN ASSEMBLY

ALL DIMENSIONS IN IN AND [mm]
 TOLERANCE UNLESS OTHERWISE SPECIFIED:
 FRACTIONAL ± 1/32" [0.8]
 X.XX ± 0.016" [0.40]
 X.XXX ± 0.005" [0.13]
 X.X* ± 0.10"

SIG. NO.	REVISION	DATE


USED ON: _____ CHECKED: _____

SCALE: _____

PAGE: 1 OF 1 WEIGHT: _____

DATE: 3 MAY, 2019

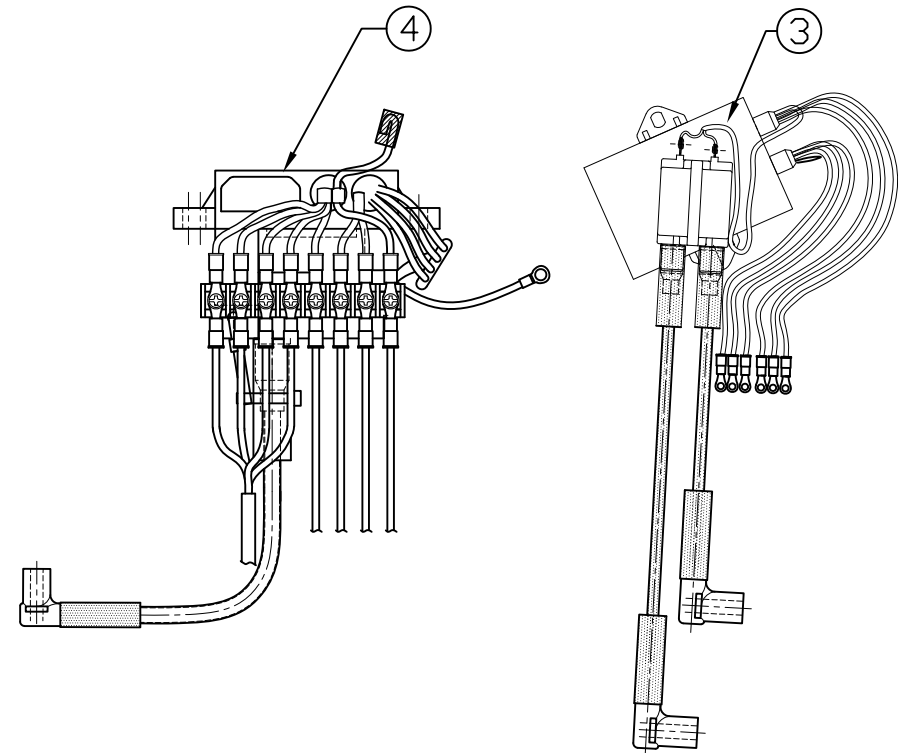
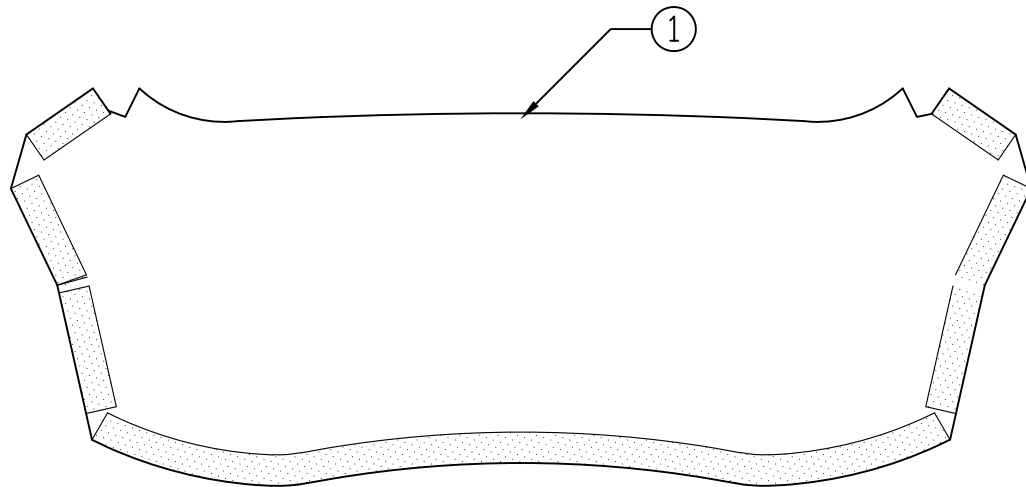
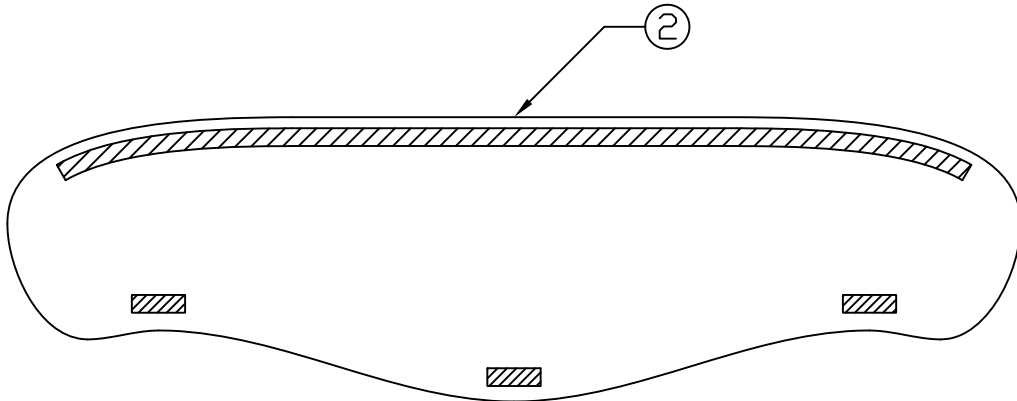
NUMBER: 17776 REV. 2


Neoteric  Hovercraft Inc.
 1649 TIPPECANOE STREET
 TERRE HAUTE, INDIANA, U.S.A. 47807-2394
 TELEPHONE (812) 234-1120 FAX (812) 234-3217

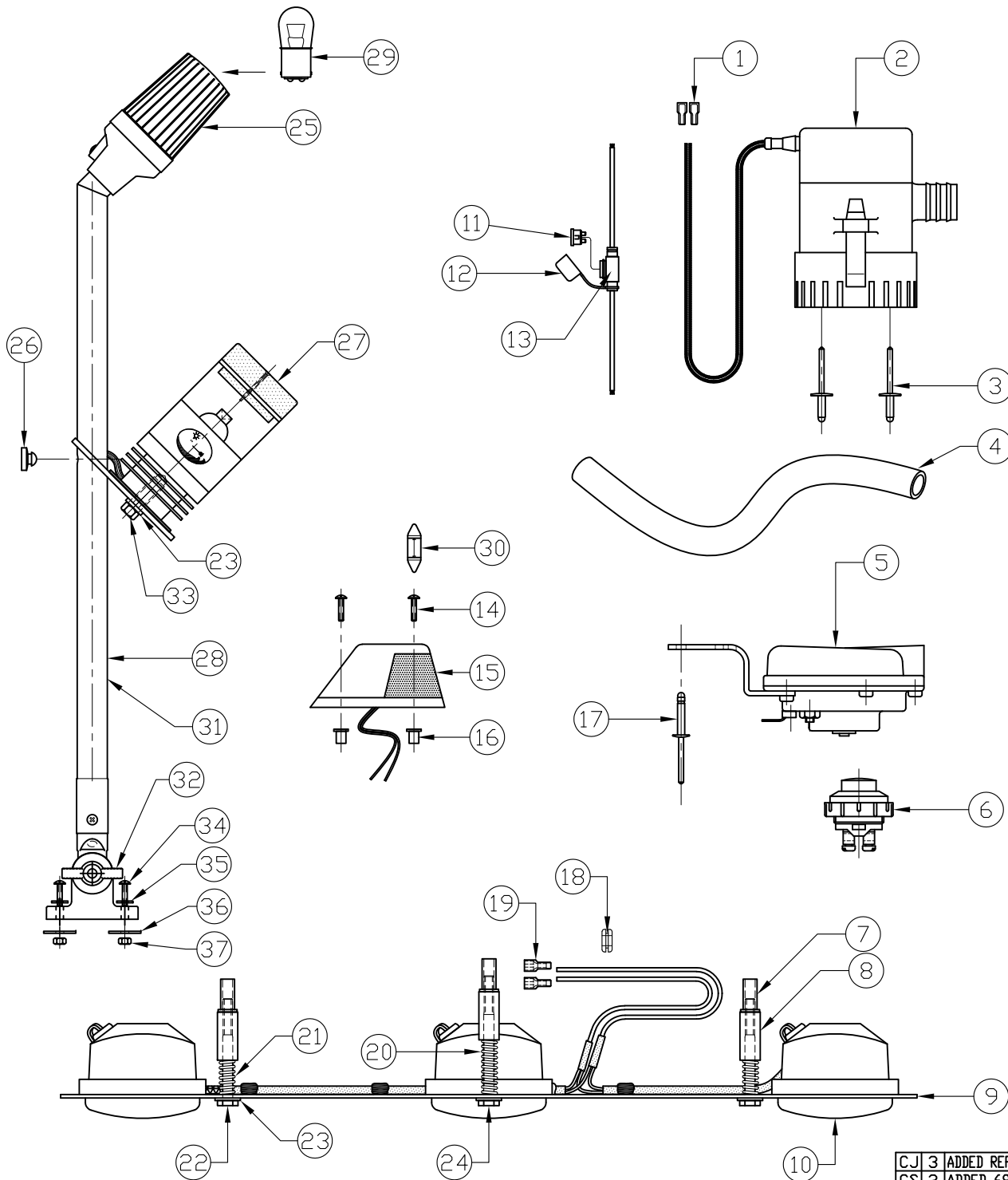
DRAWN: CJ POEHLEIN NAME: HOVERTREK CABINS, PARTS MANUAL
 DATE: 3 MAY, 2019 NUMBER: 17776 REV. 2

NOTES:
 1) COMPONENTS OF SALT WATER PACKAGE SHOWN.

BILL OF MATERIAL			
REF.	PART #	DESCRIPTION	QTY.
1	6583	HT6 SALT WATER INSTRUMENT SPLASH COVER	
2	7098	CLEAR PVC SPLASH COVER	
3	9181	CDI/COIL SALT WATER ASSEMBLY 55/65HP	
4	9157	100HP COIL/CDI ASSEMBLY FOR SALT WATER	




ALL DIMENSIONS IN IN AND [MM] TOLERANCE UNLESS OTHERWISE SPECIFIED:			
FRACTIONAL ± 1/32" [0.8]		SIG. NO.	REVISION
X.XX ± 0.016" [0.40]		DATE	
X.XXX ± 0.005" [0.13]			
X.X° ± 0.10°			
USED ON: 3720	CHECKED:	1649 TIPPECANOE STREET TERRE HAUTE, INDIANA, U.S.A. 47807-2394 TELEPHONE (812) 234-1120 FAX (812) 234-3217	
SCALE:		DRAWN: CJ POEHLEIN	NAME: SALT WATER PACKAGE COMPONENTS
PAGE: 1 OF 1	WEIGHT:	DATE: 22 NOV, 2017	NUMBER: 16565 REV. 2

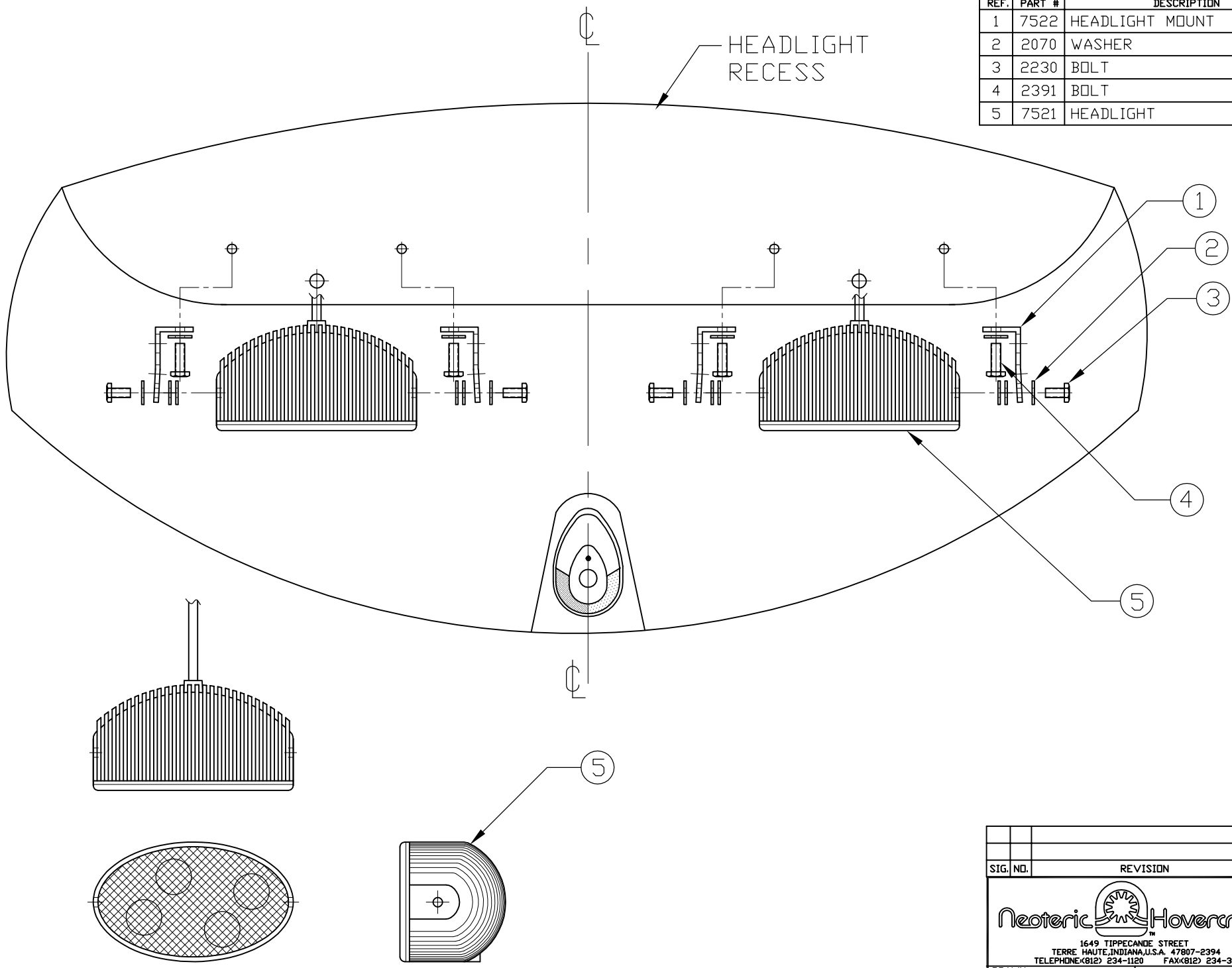


BILL OF MATERIAL		
REF.	PART #	DESCRIPTION
1	2199	TERM. FITTING, PUSH ON MALE
2	1509	BILGE PUMP
3	2157	POP RIVET, AL
4	3202	PVC HOSE, CLEAR
5	5555	HIDDEN MARINE HORN, MODIFIED
6	2443	PUSH BUTTON SWITCH ASSY, MOMENTARY
7	5604	RIVET NUT, AL
8	3414	SPACER, BLACK NYLON
9	6595	HEADLIGHT BEZEL, COATED
10	6284	HIGH PERFORMANCE DRIVING LIGHT, MODIFIED
11	2684	MINI AUTOMOTIVE FUSE, 5A
11	6456	MINI AUTOMOTIVE FUSE, 10A
11	2685	MINI AUTOMOTIVE FUSE, 15A
11	2979	MINI AUTOMOTIVE FUSE, 20A
11	2686	MINI AUTOMOTIVE FUSE, 30A
12	2683	MINI AUTOMOTIVE FUSE COVER
13	2682	MINI AUTOMOTIVE FUSE, HOLDER
14	2437	MACH SCREW, PHILLIPS RND HD SS
15	6285	BI COLOR BOW LIGHT, BLACK MODIFIED
16	2551	WELL NUT
17	2185	POP RIVET, AL
18	2102	OD RUBBER GROMMET
19	2198	TERM. FITTING, PUSH ON FEMALE
20	6582	LONG COMPRESSION SPRING, SS
21	2756	SHORT COMPRESSION SPRING, SS
22	2390	BOLT, HEX HD SS
23	2070	WASHER, SS
24	5494	BOLT, HEX HD SS
25	5690	SPARE CAP FOR FOLD DOWN LIGHT
26	3506	RUBBER BUMPER
27	6967	USCG APPROVED STROBE (2011 - CURRENT)
27	6421	STROBE LIGHT, AMBER MODIFIED (PRE 2011)
28	6264	REAR COMBINATION LIGHT MOUNT, COATED
29	1473	FOLD DOWN LIGHT REPLACEMENT BULB
30	1481	BOW LIGHT REPLACEMENT LIGHT BULB
31	6506	REAR COMBINATION LIGHT ASSY
32	7660	FOLD DOWN LIGHT BASE, MODIFIED
33	2230	BOLT HEX HD, SS
34	2398	MACHINE SCREW PHILLIPS ROUND HD, SS
35	2362	WASHER, SS
36	2516	WASHER, SS
37	2333	HEX NUT, SS


CJ 3	ADDED REPLACEMENT BULBS & STROBE	1 JUN, 2015	DRAWN:	C. STEIMEL	NAME:	HT DELUXE ELECTRICAL
CS 3	ADDED 6967 TO BILL OF MATERIAL	02 APR, 2014	DATE:	14 JUL, 2009	NUMBER:	17111
CP	REV DESCRIPTIONS	18 JAN, 2013	DATE:		REV.	3
SIG. NO.	REVISION	DATE				


Neoteric Hovercraft Inc.
 1649 TIPPECANOE STREET
 TERRE HAUTE, INDIANA, U.S.A. 47807-2394
 TELEPHONE: (812) 234-1120 FAX: (812) 234-3217

BILL OF MATERIAL		
REF.	PART #	DESCRIPTION
1	7522	HEADLIGHT MOUNT
2	2070	WASHER
3	2230	BOLT
4	2391	BOLT
5	7521	HEADLIGHT

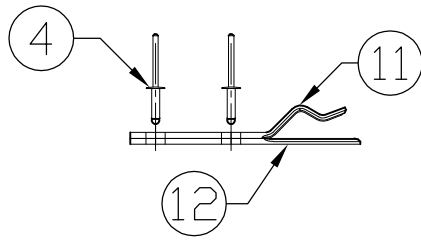


SIG. NO.	REVISION	DATE

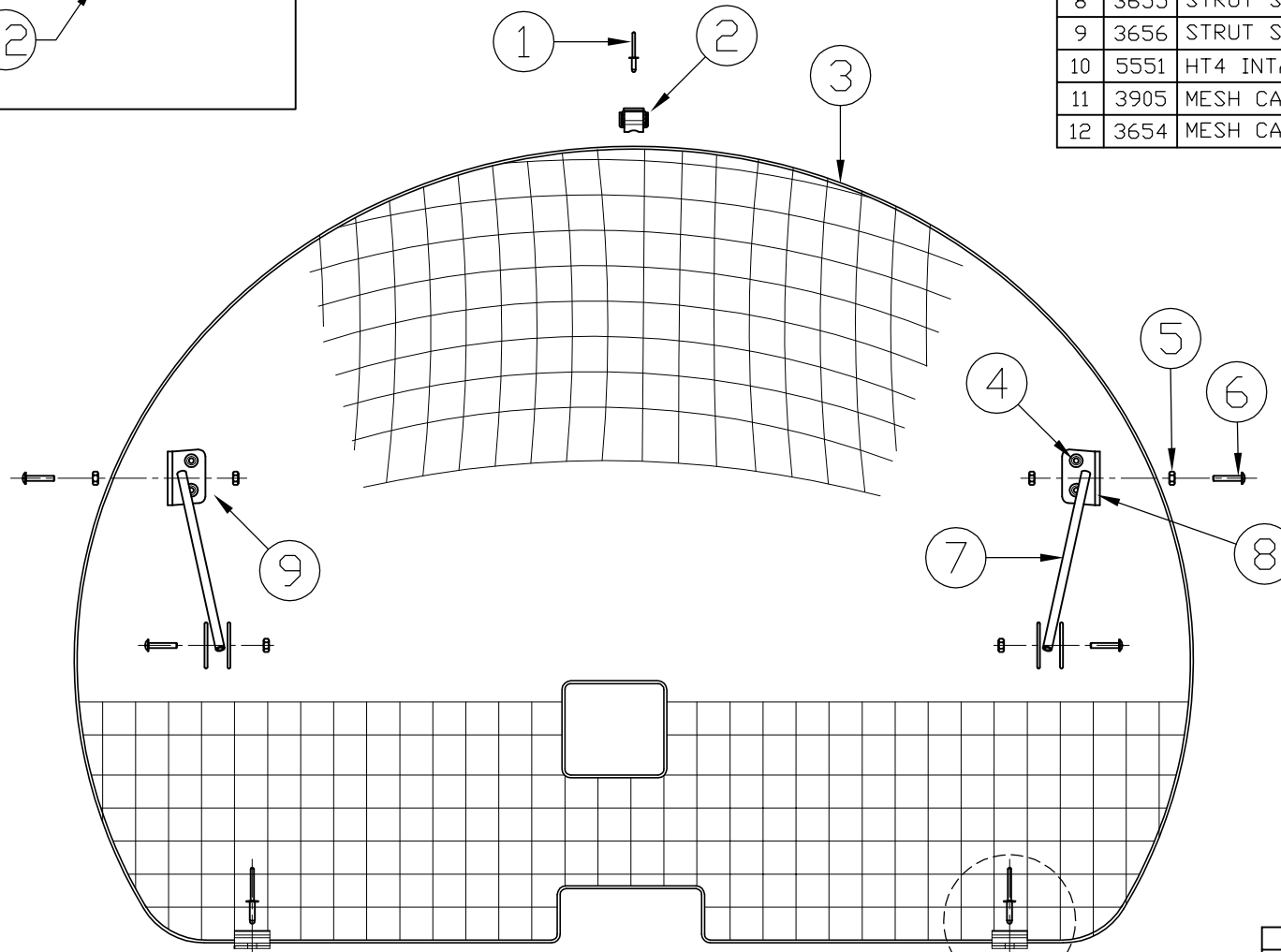

Neoteric Hovercraft Inc.
 1649 TIPPECANOE STREET
 TERRE HAUTE, INDIANA, U.S.A. 47807-2394
 TELEPHONE (812) 234-1120 FAX (812) 234-3217

DRAWN: CJ POEHLEIN	NAME: HOVERTREK HEADLIGHTS
DATE: 26 MAY, 2015	NUMBER: 17373
	REV. 2

FIGURE A
SCALE 2X




BILL OF MATERIAL			
REF.	PART #	DESCRIPTION	QTY.
1	2160	STAINLESS POP RIVET	2
2	7498	OVERCENTER DRAW LATCH MODIFIED	1
3	5549	HT4 FAN GUARD, COATED	1
4	2185	ALUMINUM POP RIVET, LARGE	8
5	2333	HEX NUT, SS	6
6	2395	STAINLESS MACHINE SCREW, 1.00 LONG	4
7	3653	HT4 MESH STRUT COATED	2
8	3655	STRUT SUPPORT, PORT	1
9	3656	STRUT SUPPORT, STARBOARD	1
10	5551	HT4 INTAKE SCREEN ASSEMBLY	0
11	3905	MESH CATCH	2
12	3654	MESH CATCH, BLANK	2



SEE FIG. A

# REQUIRED:	CHECKED:
SCALE:	
PAGE: 1 OF 1	WEIGHT:

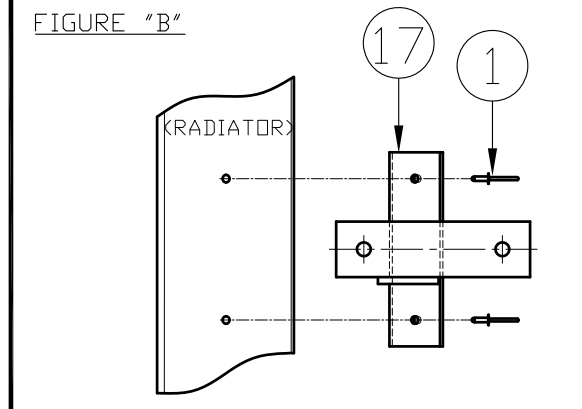
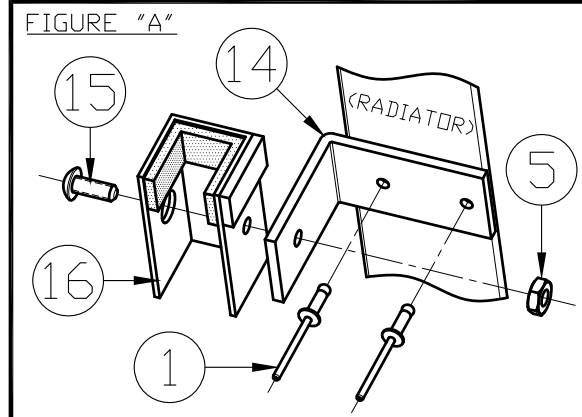
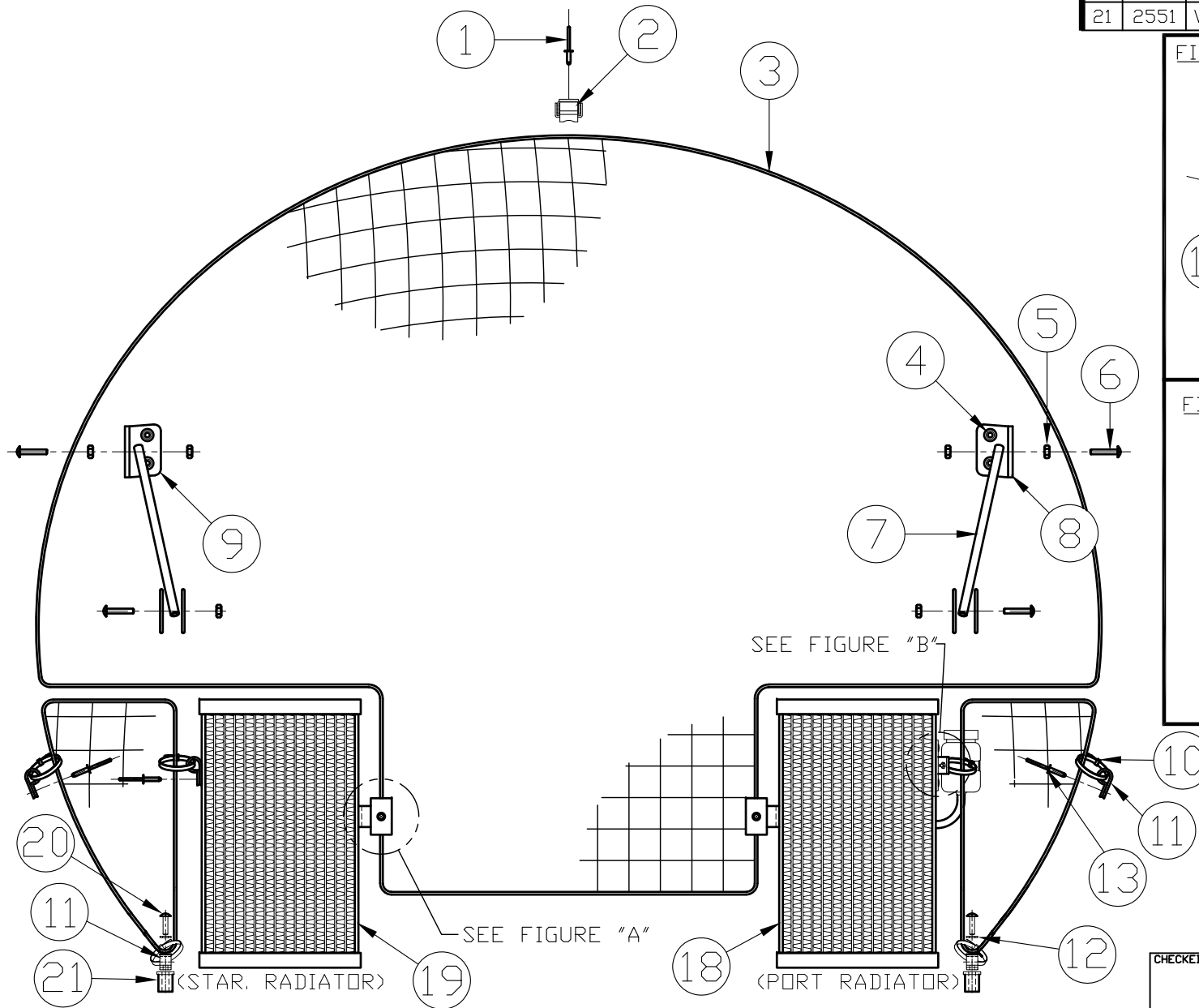
SIG. NO.	REVISION	DATE


 1649 TIPPECANOE STREET
 TERRE HAUTE, INDIANA, U.S.A. 47807-2394
 TELEPHONE (812) 234-1120 FAX (812) 234-3217

DRAWN: CJ POEHLEIN	NAME: HT4 FAN GUARD/ MESH
DATE: 13 OCT, 2014	NUMBER: 16044 REV. 2

BILL OF MATERIAL

REF.	PART #	QTY.	REF.	PART #	QTY.	REF.	PART #	QTY.
1	2160	6	7	5940	2	14	6241	2
2	7498	1	8	3655	1	15	2343	2
3	5751	1	9	3656	1	16	7126	1
4	2185	4	10	2371	6	16	7127	1
5	2333	8	11	2187	5	17	5968	1
6	2395	4	12	2362	2	18	6411	1
			13	2058	5	19	6412	1
						20	2437	2
						21	2551	2



CJ 3 ADDED WELLNUT, SCREW & WASHERS 2 MAR, 2018
 CJ 2 ADDED BOTTLE MOUNT AND RIVETS 13 DEC, 2017

SIG. NO.	REVISION	DATE

Neoteric Hovercraft Inc.
 1649 TIPPECANOE STREET
 TERRE HAUTE, INDIANA, U.S.A. 47807-2394
 TELEPHONE (812) 234-1150 FAX (812) 234-3217

CHECKED: _____
 DRAWN: C. STEIMEL
 DATE: 13 OCT, 2014
 NAME: HT6 FAN GUARD/MESH
 NUMBER: 16045
 REV: 3

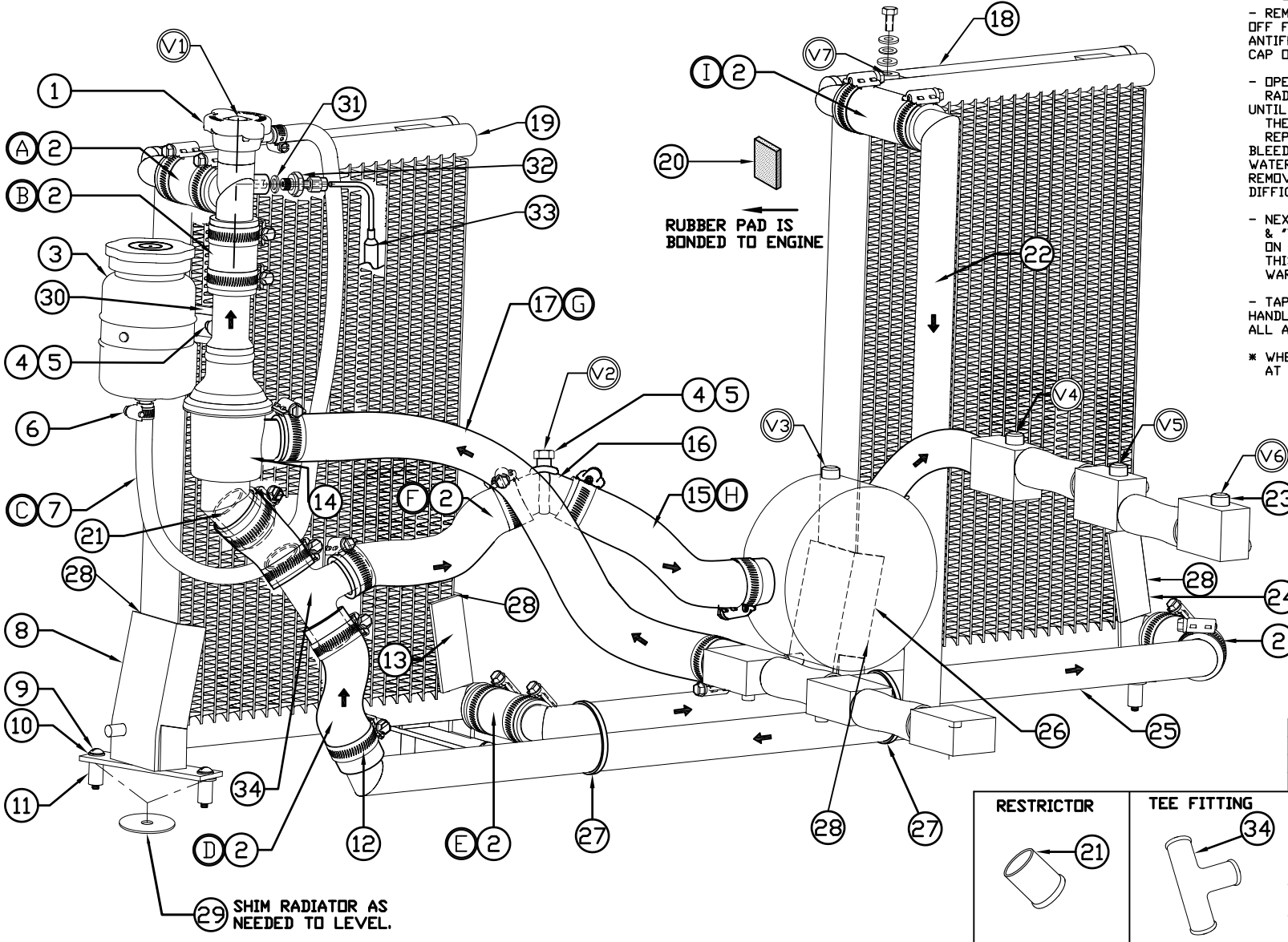
DESCRIPTION			PARTS LIST		
REF.	PART #	DESCRIPTION	REF.	PART #	DESCRIPTION
1	5941	HIRTH RADIATOR CAP, MODIFIED	12	6802	HOSE CLAMP, SS (CURRENT)
2	5954	1.00 ID RADIATOR HOSE	13	5964	HIRTH RADIATOR INSIDE MOUNT, PORT COATED
3	5948	HIRTH RADIATOR OVERFLOW BOTTLE	14	5802	HIRTH RADIATOR THERMOSTAT, MODIFIED
4	2451	HEX NUT, SS	15	5953	RADIATOR HOSE
5	2230	BOLT, HEX HD SS	16	6098	HIRTH RADIATOR LINE BLEED TUBE
6	2203	SCREW/BAND HOSE CLAMP, SS	17	6576	1.00 ID RADIATOR HOSE, 90 DEG BEND
7	2697	PVC HOSE, CLEAR	18	6412	STARBOARD RADIATOR
8	5975	HIRTH RADIATOR OUTSIDE MOUNT, PORT COATED	19	6411	PORT RADIATOR
9	2266	MACH SCREW, ROUND HD SS	20	9596	ENGINE VIBRATION RADIATOR ISOLATION PAD
10	2362	WASHER, SS	21	7803	100HP NARROW RESTRICTOR, MODIFIED
11	2552	WELL NUT	22	5979	HIRTH RADIATOR, UPPER PIPE
12	5961	HOSE CLAMP, SS (OLD STYLE)	23	2469	CAP SCREW, SOCKET HD SS
24	5965	HIRTH RADIATOR OUTSIDE MOUNT, STAR. COATED			
25	5980	HIRTH RADIATOR, LOWER PIPE			
26	5976	HIRTH RADIATOR INSIDE MOUNT, STAR. COATED			
27	2371	NYLON WIRE TIE, BLACK			
28	3108	NEOPRENE FABRIC, BLACK			
29	2516	SHIM WASHER, SS			
30	5968	OVERFLOW BOTTLE MOUNT			
31	9446	COPPER SEALING WASHER			
32	9435	COOLANT TEMP PROBE COMPRESSION FITTING			
33	9434	COOLANT TEMP PROBE			
34	9486	PLASTIC TEE FITTING			

BLEEDING THE COOLING SYSTEM

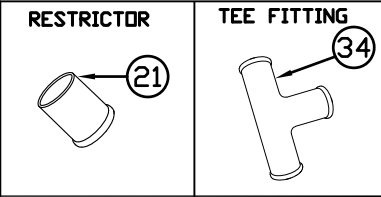
- REMOVE RADIATOR PRESSURE CAP AND TOP OFF FLUID. ITS BEST TO USE A 50/50 ANTIFREEZE (GLYCOL) / WATER MIX. LEAVE CAP OFF.
 - OPEN VENT "V7" ON TOP OF THE STARBOARD RADIATOR AND ALLOW FLUID TO FLOW OUT UNTIL NO AIR IS PRESENT. KEEP TOPPING OFF THE FLUID THROUGH RADIATOR PRESSURE CAP. REPEAT THIS PROCESS FOR EACH OF THE BLEED SCREWS. **THE BLEED SCREW IN THE WATER PUMP IS TRICKY. TRY NOT TO REMOVE THIS SCREW ALL THE WAY DUE TO DIFFICULTIES REINSTALLING.
 - NEXT LOOSEN AND BLEED SCREWS "V4", "V5", & "V6" ONE AT A TIME. THESE ARE LOCATED ON THE STARBOARD SIDE OF ENGINE. WHEN THIS IS DONE RUN THE ENGINE UNTIL IT IS WARMED UP THEN REPEAT THE ABOVE.
 - TAP SIDE OF THERMOSTAT WITH WOODEN HANDLE WHILE CAP "V1" IS REMOVED UNTIL ALL AIR BUBBLES DISAPPEAR.
- * WHEN ALL AIR IS REMOVED, CHT SHOULD RUN AT 250° F MAX.

NOTES:

1. POSITION ALL HOSE CLAMPS AS SHOWN ON THIS FORM.
2. ALL RADIATOR MOUNTS ARE TO BE LINED WITH NEOPRENE FABRIC.
3. #12 CURRENT HOSE CLAMPS (#6802).
4. RESTRICTOR INSIDE BOTTOM PORT OF THERMOSTAT.



C/J	4	ADDED RESTRICTOR AND TEE FITTING, CORRECTED GEOMETRY	21 MAY, 2019
C/J	3	UPDATED HOSE CLAMPS AND THERMOSTAT	13 MAR, 2018
CS	2	UPDATED TO STD II, REMOVED DESCRIPTIONS	3 JUN 2014
SIG. NO.		REVISION	DATE



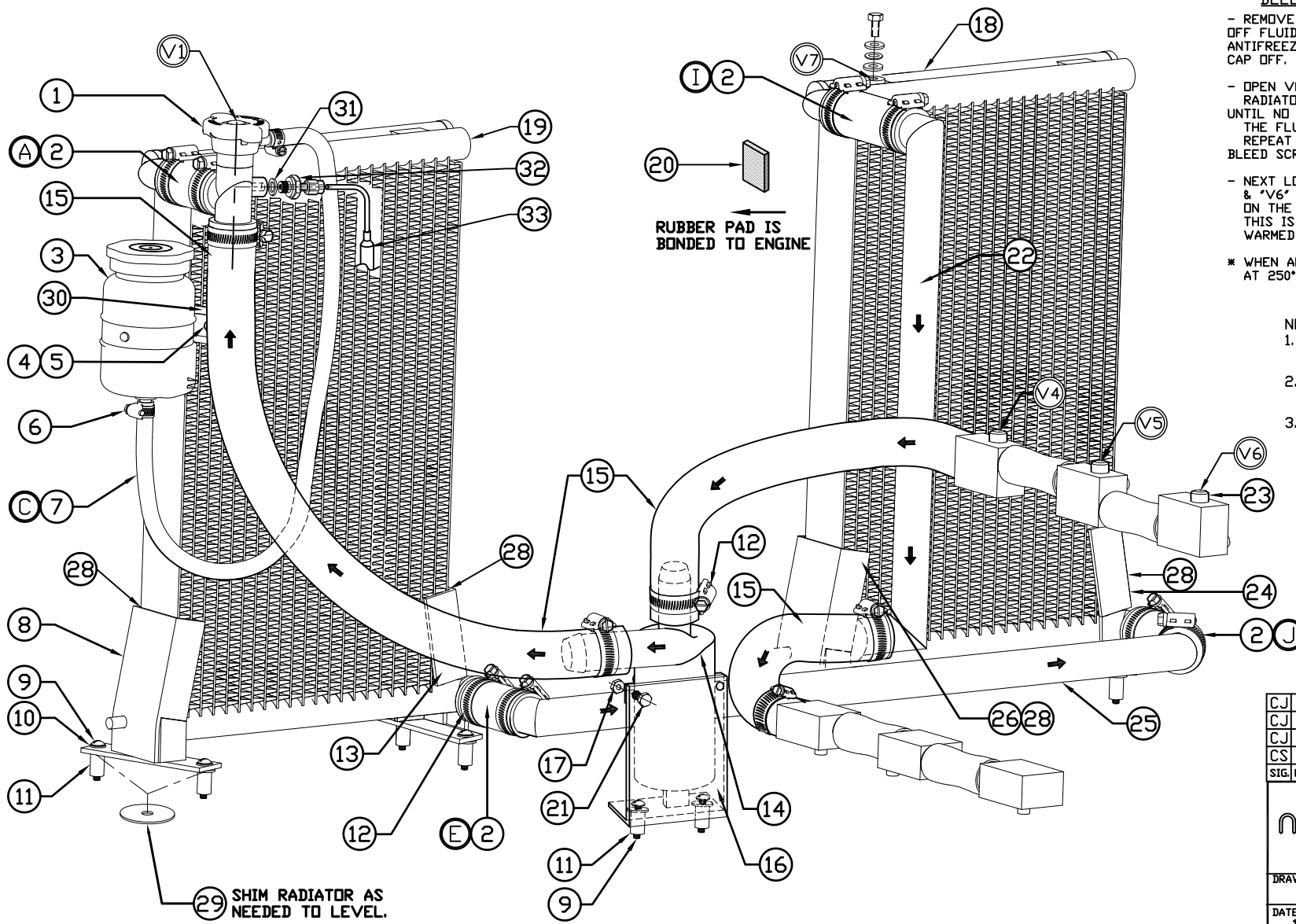
Neoteric Hovercraft Inc

1649 TIPPECANOE STREET
 TERRE HAUTE, INDIANA, U.S.A. 47807-2994
 TELEPHONE: (812) 234-1120 FAX: (812) 234-3217

DRAWN: C. STEIMEL
 DATE: 14 JUL, 2009

NAME: 100HP HIRTH COOLING SYSTEM
 NUMBER: 17114
 REV. 4

REF.	PART #	DESCRIPTION	REF.	PART #	DESCRIPTION	REF.	PART #	DESCRIPTION
1	5941	HIRTH RADIATOR CAP, MODIFIED	12	6802	HOSE CLAMP, SS (CURRENT)	24	5965	HIRTH RADIATOR OUTSIDE MOUNT, STAR. COATED
2	5954	1.00 ID RADIATOR HOSE	13	5964	HIRTH RADIATOR INSIDE MOUNT, PORT COATED	25	5980	HIRTH RADIATOR, LOWER PIPE
3	5948	HIRTH RADIATOR OVERFLOW BOTTLE	14	9648	ELECTRIC WATER PUMP, MODIFIED	26	5976	HIRTH RADIATOR INSIDE MOUNT, STAR. COATED
4	2451	HEX NUT, SS	15	5953	RADIATOR HOSE	27	2371	NYLON WIRE TIE, BLACK
5	2230	BOLT, HEX HD SS	16	9649	ELECTRIC WATER PUMP BRACKET	28	3108	NEOPRENE FABRIC, BLACK
6	2203	SCREW/BAND HOSE CLAMP, SS	17	2451	HEX NUT, SS	29	2516	SHIM WASHER, SS
7	2697	PVC HOSE, CLEAR	18	6412	STARBOARD RADIATOR	30	5968	OVERFLOW BOTTLE MOUNT
8	5975	HIRTH RADIATOR OUTSIDE MOUNT, PORT COATED	19	6411	PORT RADIATOR	31	9446	COPPER SEALING WASHER
9	2266	MACH SCREW, ROUND HD SS	20	9596	ENGINE VIBRATION RADIATOR ISOLATION PAD	32	9435	COOLANT TEMP PROBE COMPRESSION FITTING
10	2362	WASHER, SS	21	2391	HEX BOLT, SS	33	9434	COOLANT TEMP PROBE
11	2552	WELL NUT	22	5979	HIRTH RADIATOR, UPPER PIPE			
12	5961	HOSE CLAMP, SS (OLD STYLE)	23	2469	CAP SCREW, SOCKET HD SS			



BLEEDING THE COOLING SYSTEM

- REMOVE RADIATOR PRESSURE CAP AND TOP OFF FLUID. ITS BEST TO USE A 50/50 ANTIFREEZE (GLYCOL) / WATER MIX. LEAVE CAP OFF.
- OPEN VENT "V7" ON TOP OF THE STARBOARD RADIATOR AND ALLOW FLUID TO FLOW OUT UNTIL NO AIR IS PRESENT. KEEP TOPPING OFF THE FLUID THROUGH RADIATOR PRESSURE CAP. REPEAT THIS PROCESS FOR EACH OF THE BLEED SCREWS.
- NEXT LOOSEN AND BLEED SCREWS "V4", "V5", & "V6" ONE AT A TIME. THESE ARE LOCATED ON THE STARBOARD SIDE OF ENGINE. WHEN THIS IS DONE RUN THE ENGINE UNTIL IT IS WARMED UP THEN REPEAT THE ABOVE.
- * WHEN ALL AIR IS REMOVED, CHT SHOULD RUN AT 250° F MAX.

- NOTES:
1. POSITION ALL HOSE CLAMPS AS SHOWN ON THIS FORM.
 2. ALL RADIATOR MOUNTS ARE TO BE LINED WITH NEOPRENE FABRIC.
 3. #12 CURRENT HOSE CLAMPS (#6802).

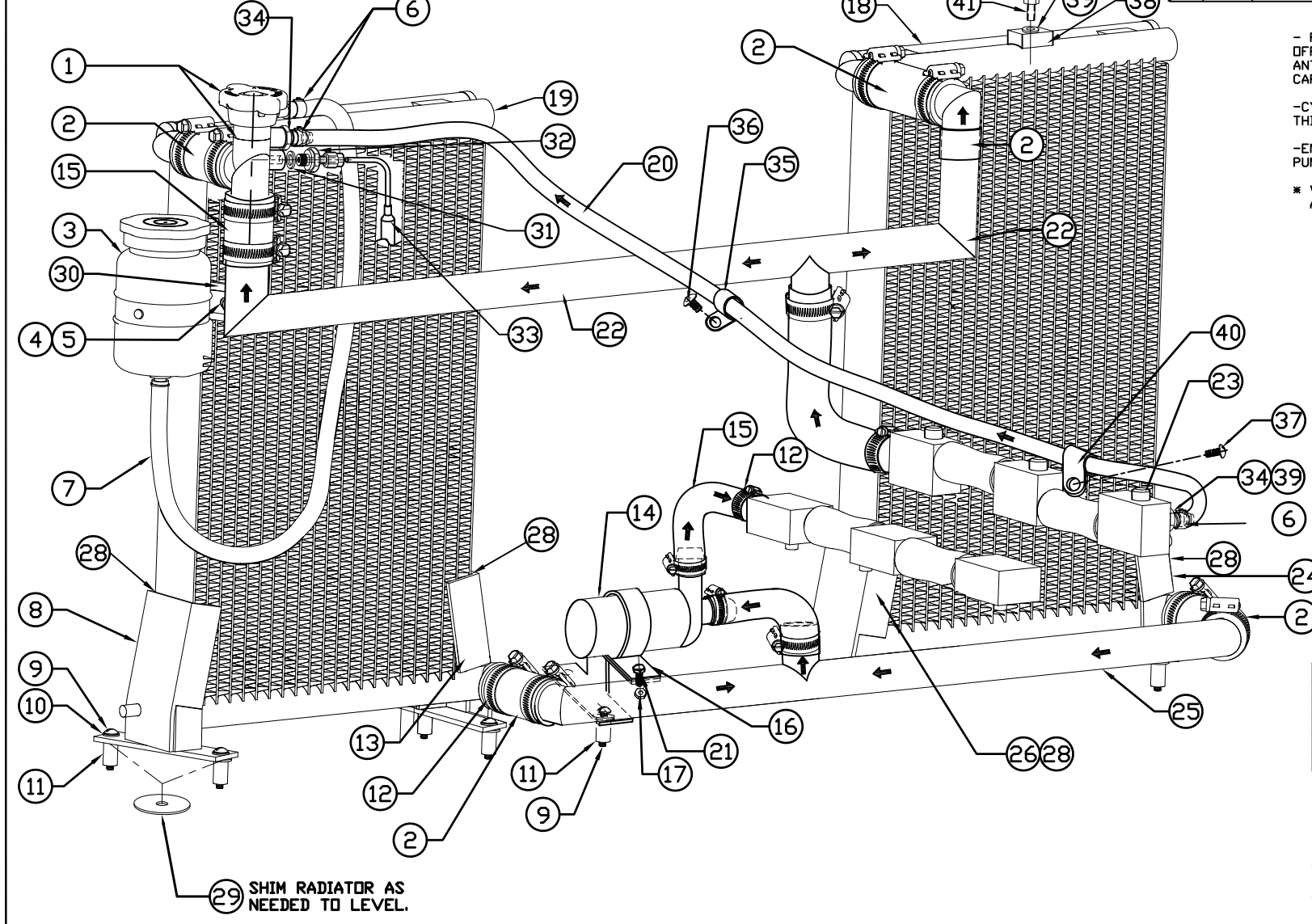
CJ 5	ADDED ELECTRIC WATER PUMP, REMOVED TEE, THERMOSTAT, OLD WATER PUMP	7 JAN, 2020
CJ 4	ADDED RESTRICTOR AND TEE FITTING, CORRECTED GEOMETRY	21 MAY, 2019
CJ 3	UPDATED HOSE CLAMPS AND THERMOSTAT	13 MAR, 2018
CS 2	UPDATED TO STD II, REMOVED DESCRIPTIONS	3 JUN 2014
SIG. NO.	REVISION	DATE

Neoteric Hovercraft Inc

1649 TIPPECANOE STREET
TERRE HAUTE, INDIANA, U.S.A. 47807-2394
TELEPHONE (812) 234-1180 FAX (812) 234-3217

DRAWN:	C. STEIMEL	NAME:	100HP HIRTH COOLING SYSTEM
DATE:	14 JUL, 2009	NUMBER:	17114
		REV.:	5

REF.	PART #	DESCRIPTION	REF.	PART #	DESCRIPTION	REF.	PART #	DESCRIPTION
1	5941	HIRTH RADIATOR CAP, MODIFIED	14	9648	ELECTRIC WATER PUMP, MODIFIED	28	3108	NEOPRENE FABRIC, BLACK
1	7681	HIRTH RADIATOR CAP, REPLACEMENT (SPARE PART)	15	5953	RADIATOR HOSE	29	2516	SHIM WASHER, SS
2	5954	1.00 ID RADIATOR HOSE	16	9649	ELECTRIC WATER PUMP BRACKET	30	5968	OVERFLOW BOTTLE MOUNT
3	9630	HIRTH RADIATOR OVERFLOW BOTTLE, MODIFIED	17	2451	HEX NUT, SS	31	9446	COPPER SEALING WASHER
4	2451	HEX NUT, SS	18	6412	STARBOARD RADIATOR	32	9435	COOLANT TEMP PROBE COMPRESSION FITTING
5	2230	BOLT, HEX HD SS	19	6411	PORT RADIATOR	33	9434	COOLANT TEMP PROBE
6	3396	PINCH HOSE CLAMP, SS	20	9884	STEAM TUBE	34	5630	BARB HOSE FITTING
7	2697	PVC HOSE, CLEAR	21	2391	HEX BOLT, SS	34	9887	BARB HOSE FITTING (OPTIONAL)
8	5975	HIRTH RADIATOR OUTSIDE MOUNT, PORT COATED	22	9888	PARALLEL RADIATOR UPPER TUBE	35	9901	CLIP SS, MODIFIED
9	2266	MACH SCREW, ROUND HD SS	23	2469	CAP SCREW, SOCKET HD SS	36	6362	SCREW
10	2362	WASHER, SS	24	5965	HIRTH RADIATOR OUTSIDE MOUNT, STAR. COATED	37	2343	SCREW
11	2552	WELL NUT	25	9889	PARALLEL RADIATOR LOWER TUBE	38	9900	BLEED SCREW BASE MOUNT
12	6802	HOSE CLAMP, SS (CURRENT)	26	5976	HIRTH RADIATOR INSIDE MOUNT, STAR. COATED	39	5629	BLEED SCREW WASHER
13	5964	HIRTH RADIATOR INSIDE MOUNT, PORT COATED	27	2371	NYLON WIRE TIE, BLACK	40	3466	P-CLIP
						41	2230	BLEED SCREW



BLEEDING THE COOLING SYSTEM

- REMOVE RADIATOR PRESSURE CAP AND TOP OFF FLUID. ITS BEST TO USE A 50/50 ANTIFREEZE (GLYCOL) / WATER MIX. LEAVE CAP OFF.
- CYCLE ELECTRIC WATER PUMP SEVERAL TIMES. THIS SHOULD CYCLE ALL AIR OUT OF SYSTEM.
- ENSURE TO TOP OFF RADIATOR CAP AS CYCLING PUMP, TO NOT ALLOW AIR INTO SYSTEM.
- * WHEN ALL AIR IS REMOVED, CHT SHOULD RUN AT 250° F MAX.

- NOTES:
1. ALL RADIATOR MOUNTS ARE TO BE LINED WITH NEOPRENE FABRIC.
 2. #12 CURRENT HOSE CLAMPS (#6802).

SIG. NO.	REVISION	DATE
CJ 6	UPDATED TO PARALLEL RADIATOR SYSTEM	13 MAY, 2021
CJ 5	ADDED ELECTRIC WATER PUMP, REMOVED TEE, THERMOSTAT, OLD WATER PUMP	17 JAN, 2020
CJ 4	ADDED RESTRICTOR AND TEE FITTING, CORRECTED GEOMETRY	21 MAY, 2019
CJ 3	UPDATED HOSE CLAMPS AND THERMOSTAT	13 MAR, 2018
CS 2	UPDATED TO STD II, REMOVED DESCRIPTIONS	3 JUN 2014

Neoteric Hovercraft Inc

1649 TIPPECANOE STREET
TERRE HAUTE, INDIANA, U.S.A. 47807-2394
TELEPHONE: (812) 234-1120 FAX: (812) 234-3217

DRAWN: C. STEIMEL
NAME: 100HP HIRTH COOLING SYSTEM
DATE: 14 JUL, 2009
NUMBER: 17114
REV. 6

NOTES:

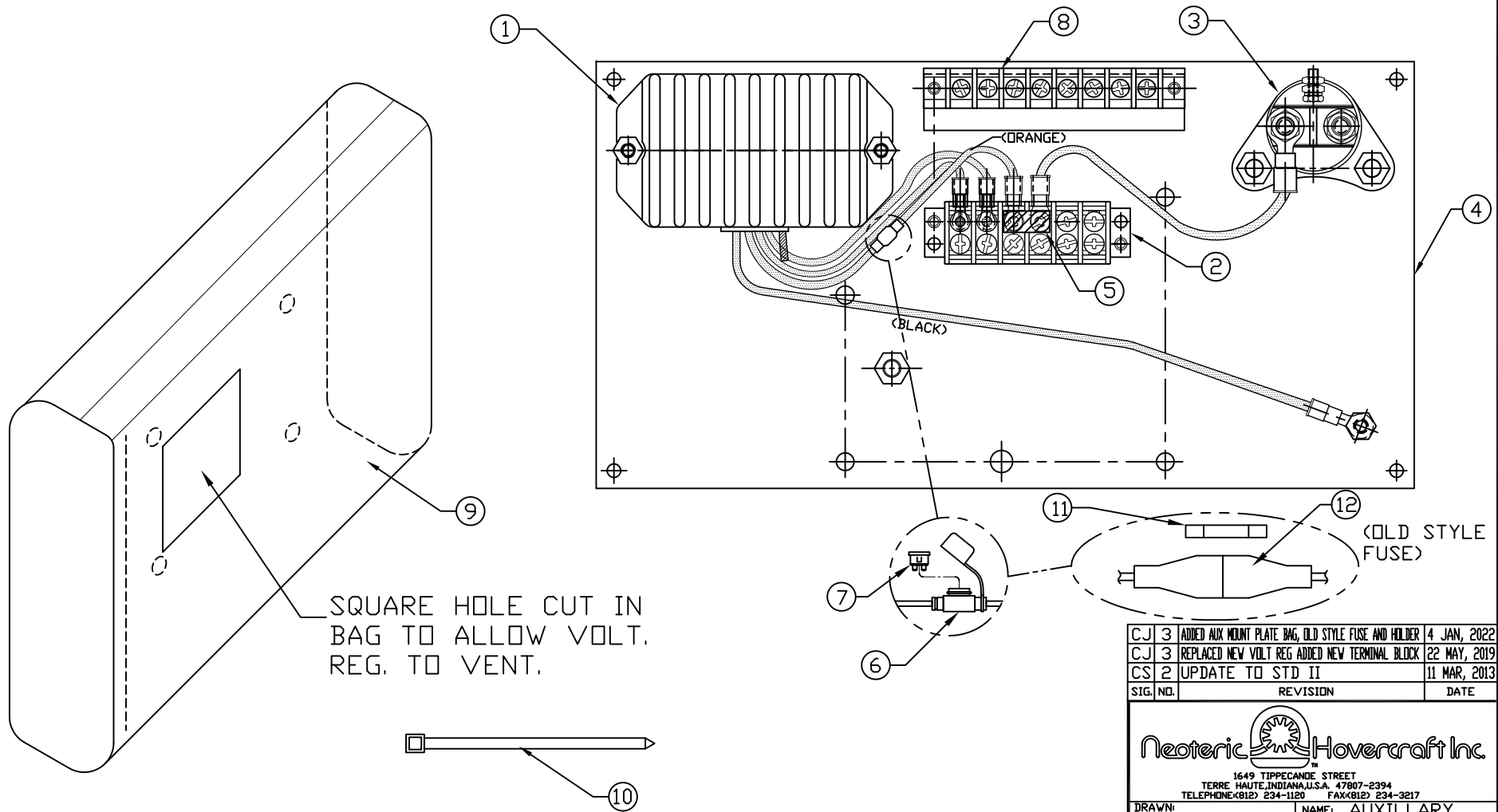
NEW VOLTAGE REGULATOR
AND AUX PLATE SET UP SHOWN.

NEW REGULATOR USED (2021-PRESENT)

SQUARE HOLE CUT IN BAG TO VENT
REGULATOR


OLD STYLE REGULATOR SET-UP USED
30 AMP GLASS FUSES AND WATER
TIGHT FUSE HOLDER

BILL OF MATERIAL		
REF.	PART NO.	DESCRIPTION
1	9876	HIRTH VOLT REGULATOR ASSY
2	1365	TERMINAL BLOCK
3	5417	MODIFIED SOLENOID
4	5271	AUX. MOUNT PLATE
5	2220	JUMPER STRIP
6	2682	MINI AUTOMOTIVE FUSE, HOLDER
7	2686	FUSE MINI AUTOMOTIVE, 30A
8	7860	SINGLE ROW TERMINAL BLOCK
9	5790	AUX MOUNT PLATE BAG
10	2375	TIES FOR REGULATOR VENT
11	2214	30AMP FUSE GLASS CYLINDER (OLD STYLE)
12	2418	WATER TIGHT FUSE HOLDER (OLD STYLE)



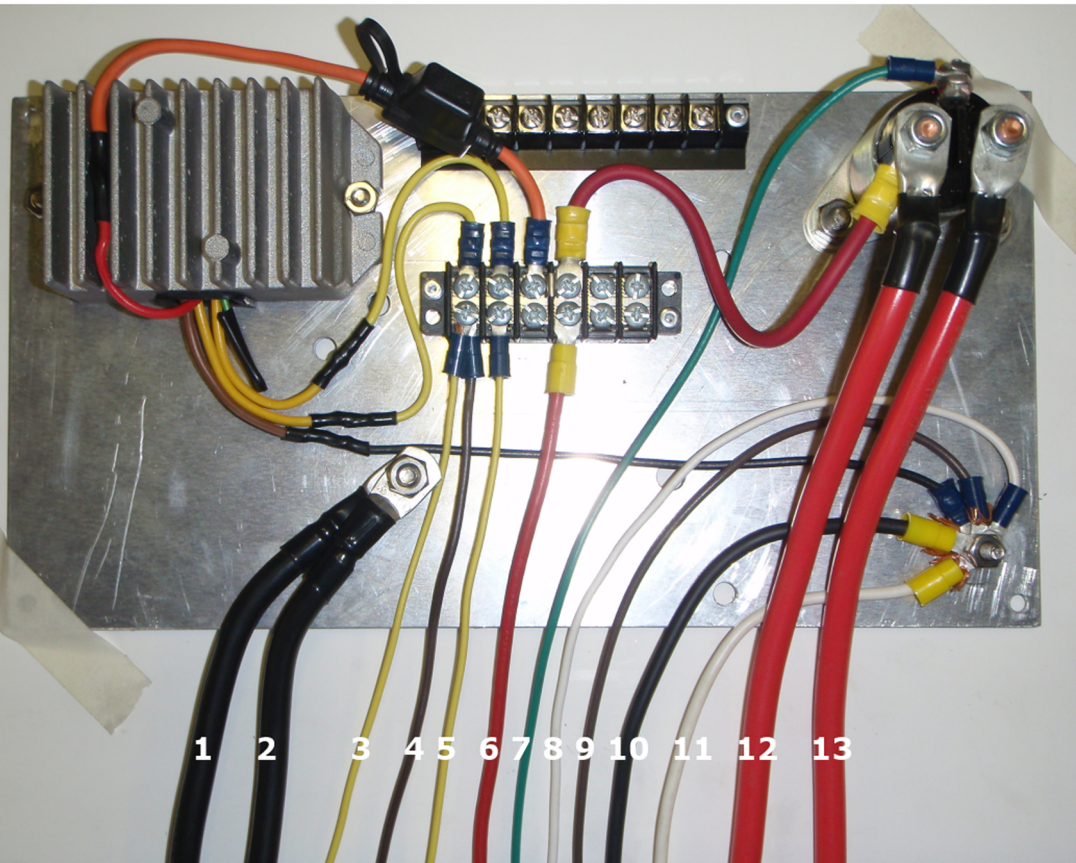
SQUARE HOLE CUT IN
BAG TO ALLOW VOLT.
REG. TO VENT.

CJ	3	ADDED AUX MOUNT PLATE BAG, OLD STYLE FUSE AND HOLDER	4 JAN, 2022
CJ	3	REPLACED NEW VOLT REG ADDED NEW TERMINAL BLOCK	22 MAY, 2019
CS	2	UPDATE TO STD II	11 MAR, 2013
SIG. NO.		REVISION	DATE


Neoteric Hovercraft Inc.
 1649 TIPPECANOE STREET
 TERRE HAUTE, INDIANA, U.S.A. 47807-2394
 TELEPHONE: (812) 234-1120 FAX: (812) 234-3217

DRAWN:	M. ROSEBRAUGH	NAME:	AUXILIARY MOUNT PLATE ASSY
DATE:	8, JULY 2009	NUMBER:	17105
		REV:	3

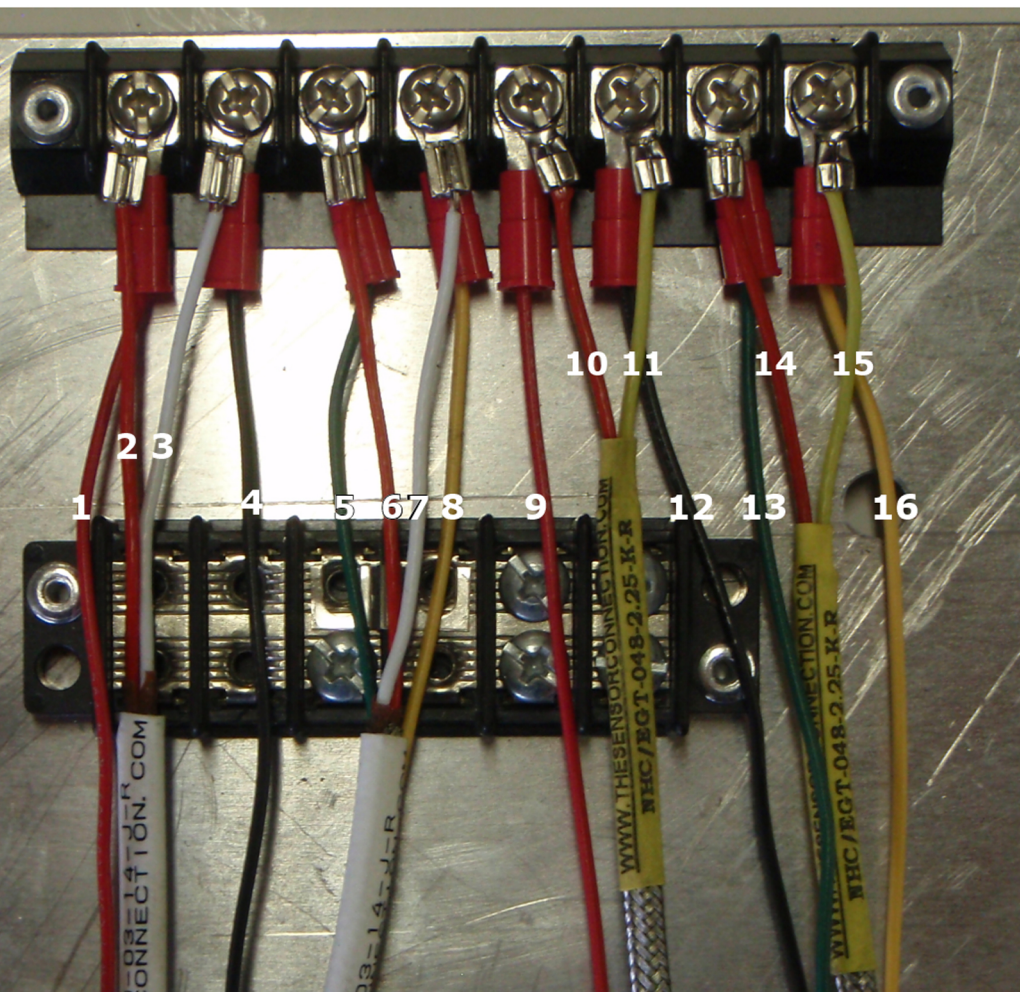
Aux. Mount Plate (Carb) #7872



1. Blk 6G from battery
2. Blk 6G to engine
3. Ylw 16G from engine
4. Brw 16G from key switch
5. Ylw 16G from engine
6. Red 10G from key switch
7. Grn 16G from key switch
8. Wht 16G from nav/bilge
9. Brw 16G to fuel sender
10. Blk 10G from key switch
11. Wht 12G from bucket comp.
12. Red 6G from battery
13. Red 6G to starter

1 2 3 4 5 6 7 8 9 10 11 12 13

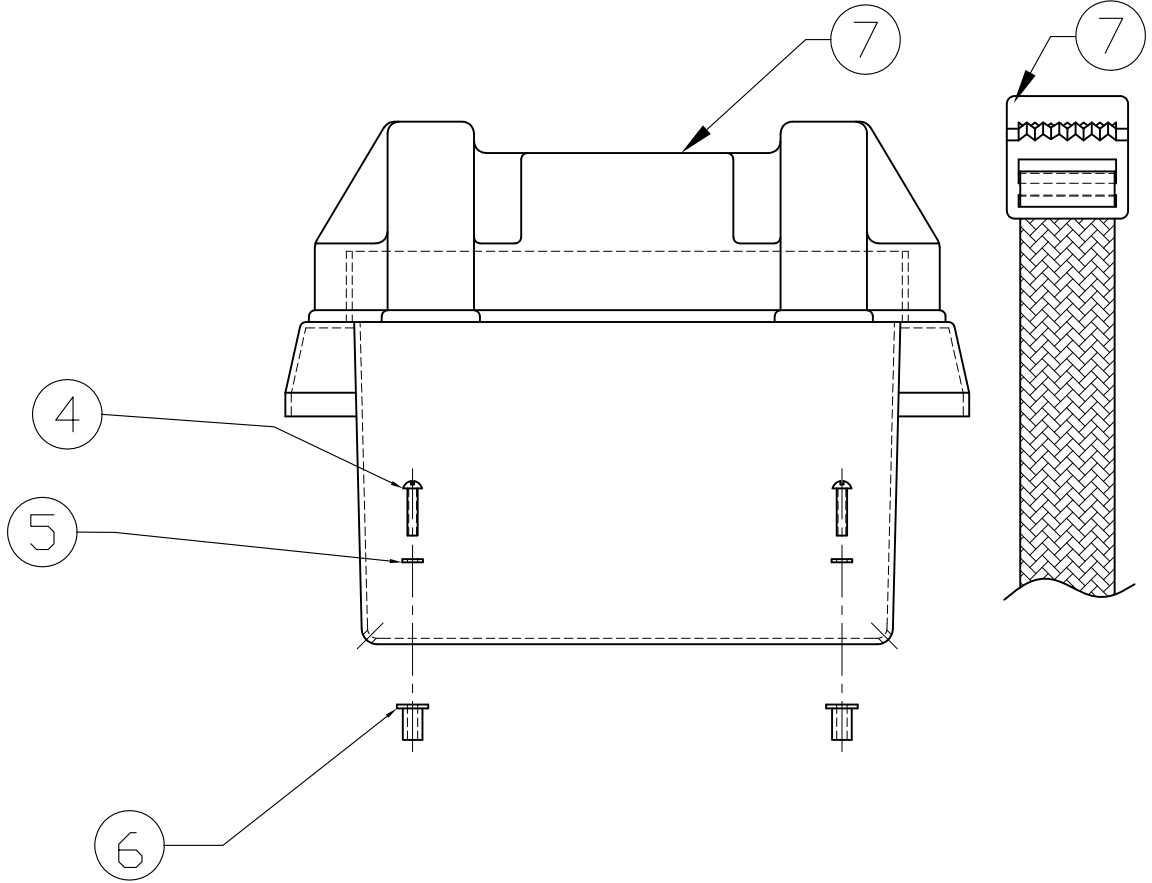
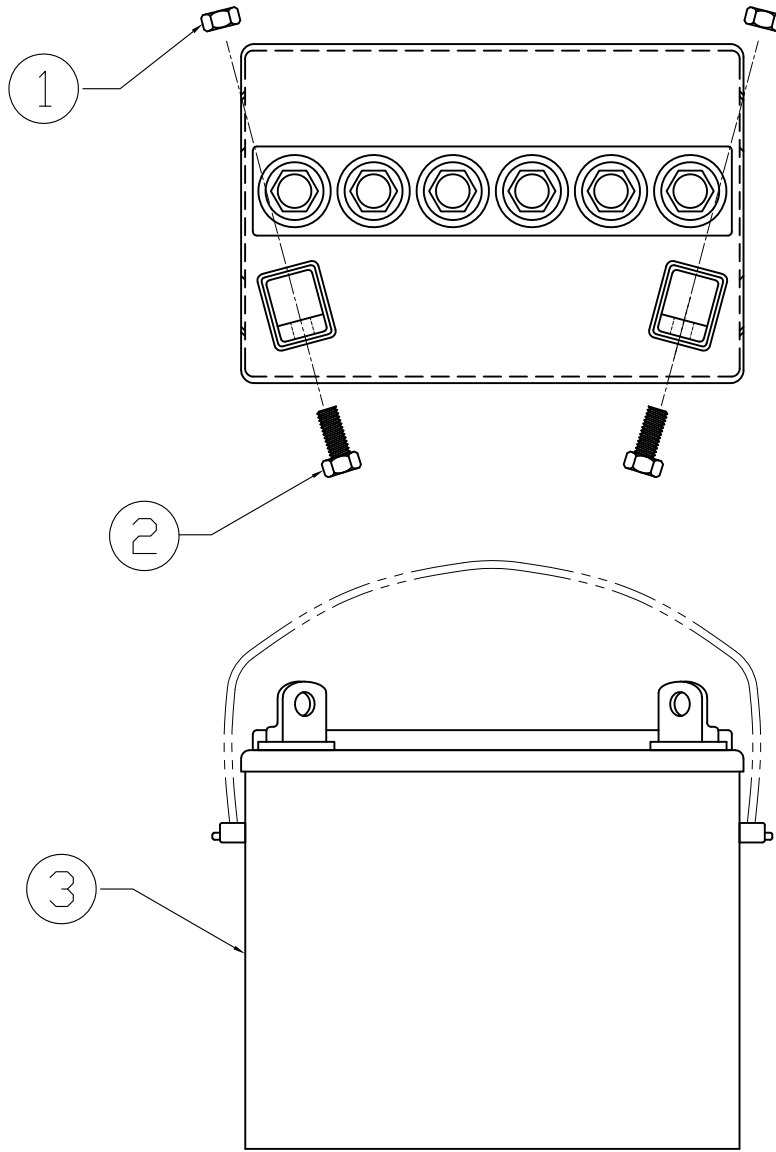
Aux. Mount Plate (Carb) #7872 EGT/CHT



1. Red 20G Front Cyl CHT Gauge (+)
2. Red Front Cyl CHT Sender (+)
3. Wht Front Cyl CHT Sender (-)
4. Blk 20G Front Cyl CHT Gauge (-)
5. Grn 20G Rear Cyl CHT Gauge (+)
6. Red Rear Cyl CHT Sender (+)
7. Wht Rear Cyl CHT Sender (-)
8. Ylw 20G Rear Cyl CHT Gauge (-)
9. Red 20G Front Cyl EGT Gauge (+)
10. Red Front Cyl EGT Sender (+)
11. Ylw Front Cyl EGT Sender (-)
12. Blk 20G Front Cyl EGT Gauge (-)
13. Grn 20G Rear Cyl EGT Gauge (+)
14. Red Rear Cyl EGT Sender (+)
15. Ylw Rear Cyl EGT Sender (-)
16. Ylw 20G Rear Cyl EGT Gauge (-)


*EGT Gauge wires are knotted together
CHT Gauge wires are taped together

BILL OF MATERIAL			
REF.	PART #	DESCRIPTION	QTY.
1	2227	HEX NUT, SS	2
2	2470	BOLT HEX, SS	2
3	3934	BATTERY	1
4	2437	SCREW	4
5	2362	WASHER	4
6	2551	WELL NUT	4
7	1126	BATTERY BOX & STRAP (INCLUDES 4-7)	1



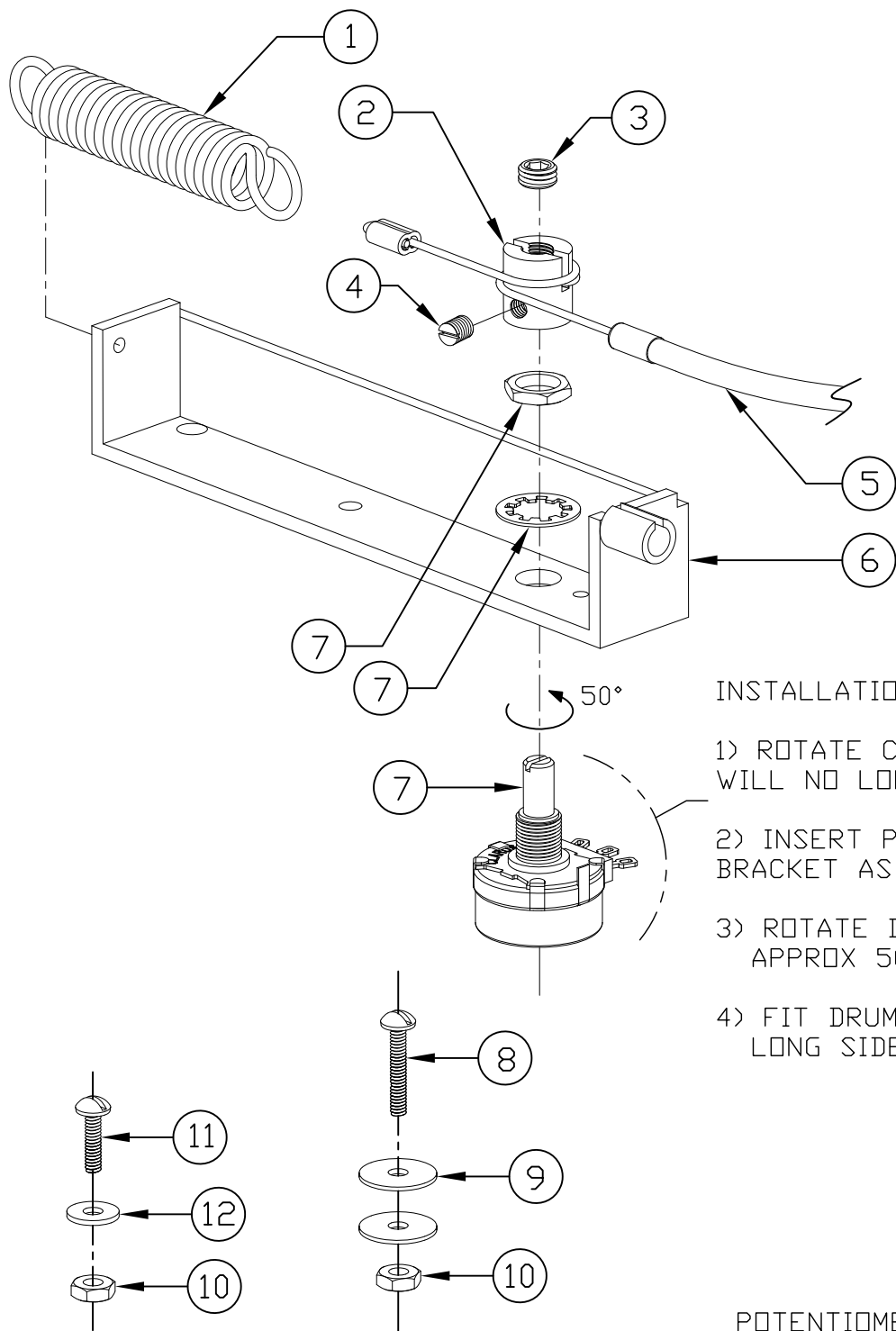
NOTES:
 1) BATTERY WEIGHS 25LB.
 2) PART# (1126) INCLUDES PARTS 4-7.

CJ 3	ADDED BATTERY BOX WITH HARDWARE	19 OCT, 2018
SIG. NO.	REVISION	DATE


Neoteric Hovercraft Inc.
 1649 TIPPECANOE STREET
 TERRE HAUTE, INDIANA, U.S.A. 47807-2394
 TELEPHONE (812) 234-1120 FAX (812) 234-3217

DRAWN: CJ POEHLEIN	NAME: SEALED 12V BATTERY ASSY
DATE: 22 MAR, 2016	NUMBER: 16671
	REV. 3

USED ON:	CHECKED:
SCALE:	
PAGE: 1 OF 1	WEIGHT:

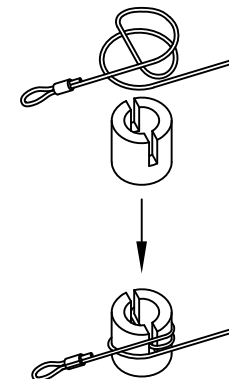


BILL OF MATERIAL DESCRIPTION		
REF.	PART NO.	DESCRIPTION
1	2419	POT CONTROL SPRING (OLD SPRING) OBSOLETE
1	7539	POTENTIOMETER CONTROL SPRING
2	3772	POTENTIOMETER CABLE DRUM
3	2464	HOLLOW SET SCREW
4	2465	POINT SET SCREW
5	3954	POTENTIOMETER CONTROL CABLE, SXS
5	3520	POTENTIOMETER CONTROL CABLE, INLINE
6	3703	POTENTIOMETER CONTROL BRACKET ASSY
7	2970	POTENTIOMETER
8	2397	SCREW
9	2070	WASHER
10	2333	NUT
11	2398	SCREW
12	2333	WASHER

INSTALLATION NOTE:

- 1) ROTATE CLOCKWISE UNTIL DIAL WILL NO LONGER TURN
- 2) INSERT POTENTIOMETER INTO BRACKET AS SHOWN
- 3) ROTATE DIAL COUNTER-CLOCKWISE APPROX 50°
- 4) FIT DRUM WITH SLOT PARALLEL TO LONG SIDES OF BRACKET

CABLE / DRUM INSTALLATION



THE CONTROL CABLE SHOULD BE INSTALLED ONTO THE DRUM AS SHOWN ABOVE

INLINE MOUNTING
HARDWARE

SxS MOUNTING
HARDWARE

POTENTIOMETER WIRING NOT SHOWN ON THIS FORM. SEE FORM 17103 FOR POTENTIOMETER WIRING.

CS	2 UPDATE TO STD II	11 MAR, 2013
CP	REV DESCRIPTIONS	18 JAN, 2013
SIG. NO.	REVISION	DATE

Neoteric Hovercraft Inc.

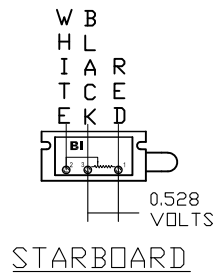
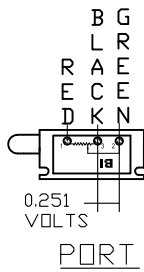
1649 TIPPECANOE STREET
TERRE HAUTE, INDIANA, U.S.A. 47807-2394
TELEPHONE (812) 234-1120 FAX (812) 234-3217

DRAWN:	C. STEIMEL	NAME:	POTENTIOMETER CONTROL ASSY
DATE:	15 JULY, 2009	NUMBER:	17720
		REV.	2

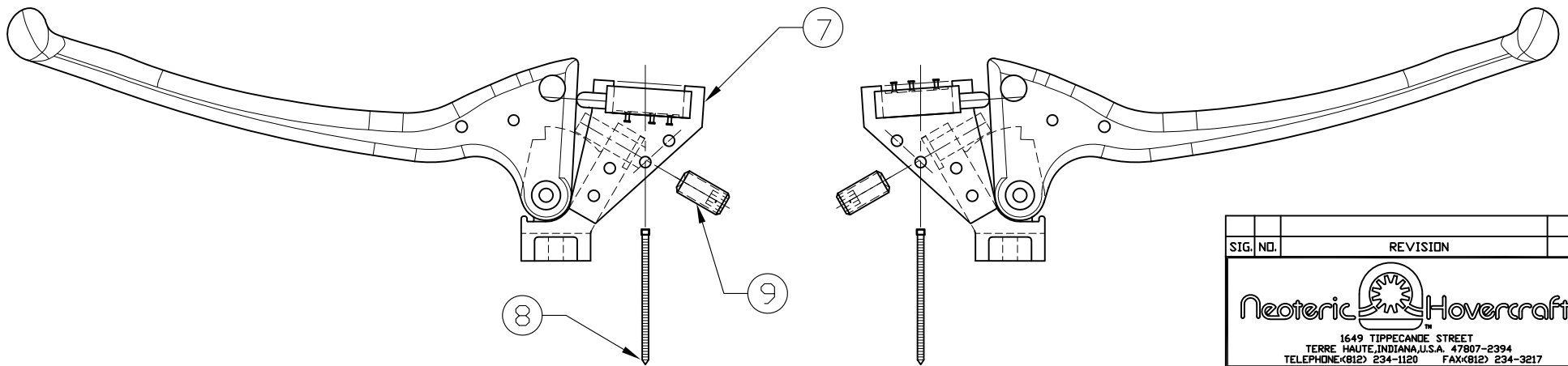
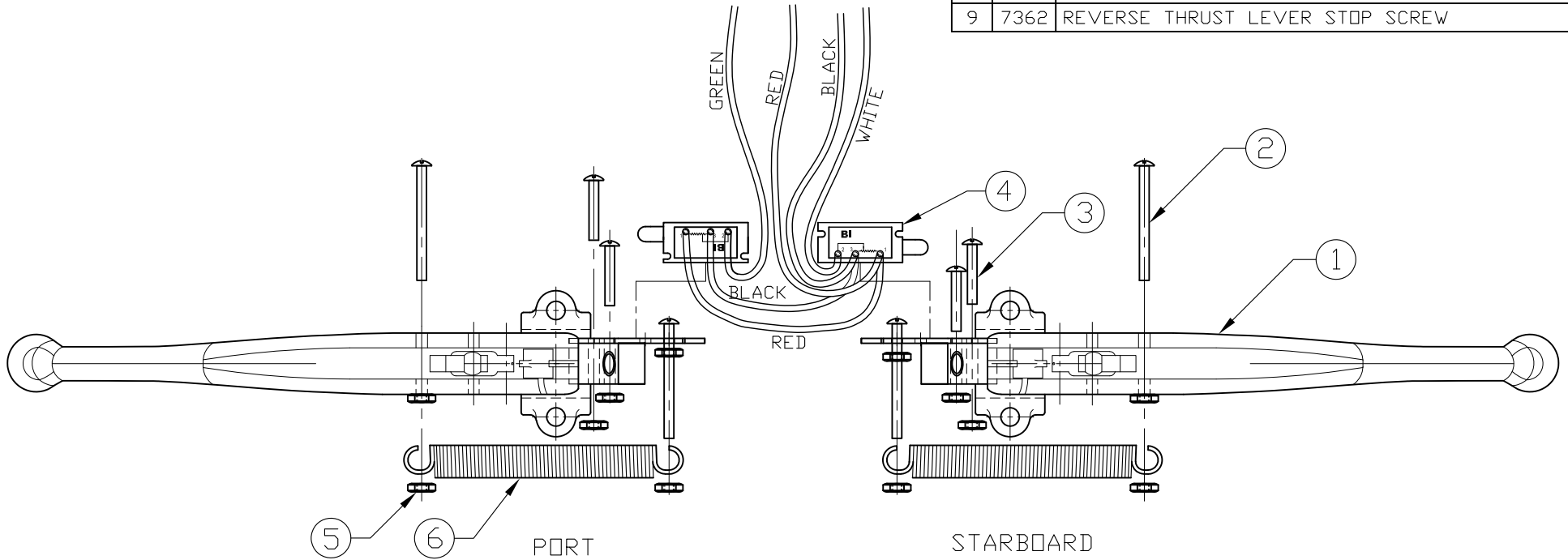
VOLTAGE MEASURED WHEN SYSTEM
CORRECTLY SET

PORT: 0.251 VOLTS BETWEEN
BLACK & GREEN

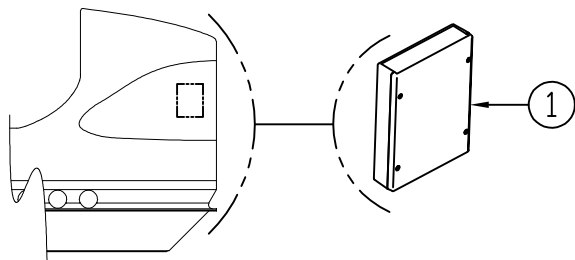
STARBOARD: 0.528 VOLTS
BETWEEN BLACK & RED



BILL OF MATERIAL		
REF.	PART #	DESCRIPTION
1	9082	REVERSE THRUST CONTROL LEVER
2	7617	MACHINE SCREW
3	7577	MACHINE SCREW
4	7677	LINEAR PLUNGER POTENTIOMETER
5	7578	HEX NUT
6	7539	EXTENSION SPRING
7	7715	404 LINEAR POT MOUNT BRACKET
8	2372	WIRE TIE, BLACK
9	7362	REVERSE THRUST LEVER STOP SCREW



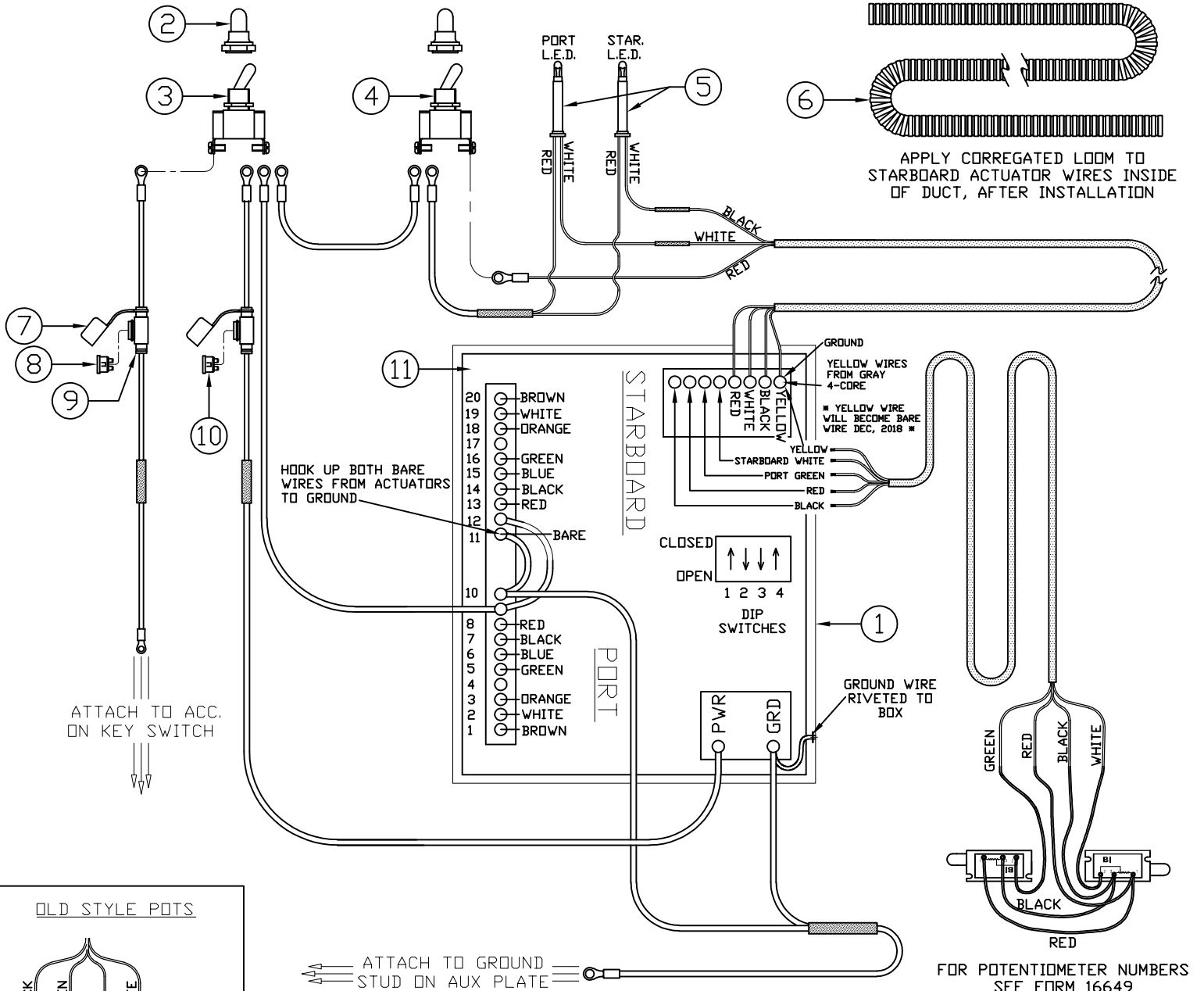
SIG. NO.	REVISION	DATE
 1649 TIPPECANOE STREET TERRE HAUTE, INDIANA, U.S.A. 47807-2394 TELEPHONE (812) 234-1120 FAX (812) 234-3217		
DRAWN:	NAME:	
CJ POEHLEIN	NEW LINEAR POT SYSTEM	
DATE:	NUMBER:	REV.
27 MAY, 2015	16649	2



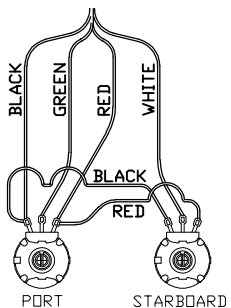
LOCATION OF MICROPROCESSOR
INSIDE DUCT, PORT SIDE

NOTICE: AS OF OCTOBER, 2018
BOX MOUNTED ON OUTSIDE OF CRAFT

REF.	PART NO.	DESCRIPTION
1	5704	MICROPROCESSOR ENCLOSURE, MODIFIED
2	1653	TOGGLE SWITCH BOOT
3	1652	TOGGLE SWITCH, ON/OFF
4	2431	TOGGLE SWITCH, MOMENTARY
5	5633	LED, GREEN
6	2422	CORRUGATED LOOM, BLACK
7	2683	MINI AUTOMOTIVE FUSE COVER
8	2685	MINI AUTOMOTIVE FUSE, 15A
9	2682	MINI AUTOMOTIVE FUSE HOLDER
10	2684	MINI AUTOMOTIVE FUSE, 5A
11	5622	HT REVERSE MICROPROCESSOR



OLD STYLE POTS

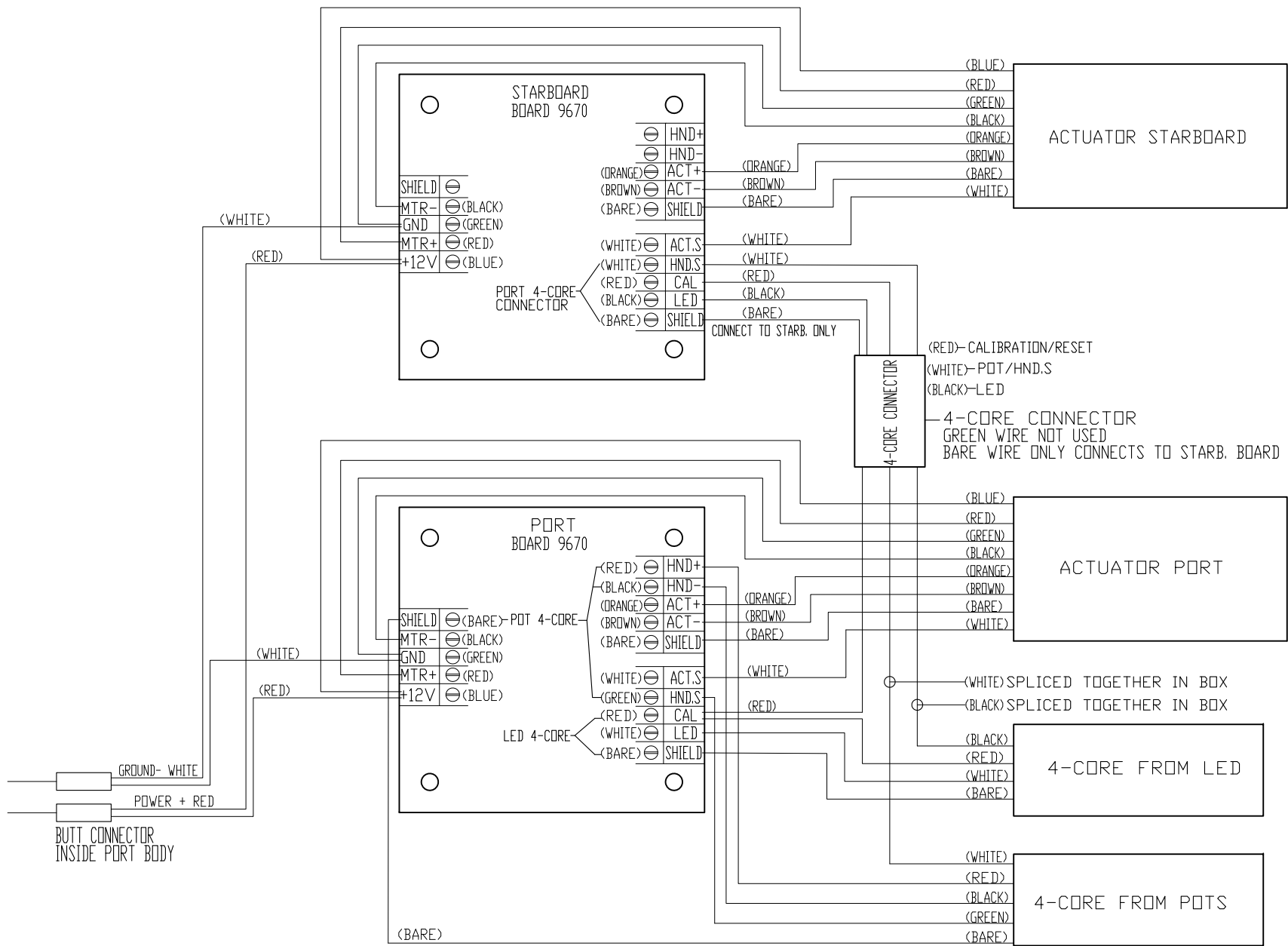


POTENTIOMETERS NOT LISTED ON THIS FORM. SEE FORM 17720 FOR POTENTIOMETER ASSY

NOTES:

- 1) HOOK UP YELLOW WIRES FROM GRAY 4-CORE WIRE COMING FROM POTENTIOMETERS AND WIRE HARNESS TO GROUND AS SHOWN. *YELLOW WIRES WILL BECOME BARE WIRE DEC, 2018*
- 2) HOOK UP BOTH BARE WIRES COMING FROM ACTUATORS TO GROUND TERMINAL #11 AS SHOWN.
- 3) THIS FORM CAN BE USED TO ROUTE REVERSE SYSTEM WIRING ON BOTH HT4 AND HT6 MODELS.

CJ	3	ADDED GROUND HOOKUPS UPDATED NOTES	11 OCT, 2018
CS	2	REV DESCRIPTIONS, UPDATE TO STD II	11 MAR, 2013
SIG. NO.		REVISION	DATE
 1649 TIPPECANOE STREET TERRE HAUTE, INDIANA, U.S.A. 47807-2394 TELEPHONE (812) 234-1120 FAX (812) 234-3217			
DRAWN:	C. STEIMEL	NAME:	REVERSE MICROPROCESSOR ASSY
DATE:	20 JAN, 2009	NUMBER:	17103
		REV:	3



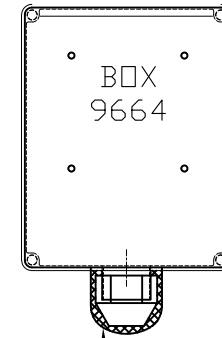
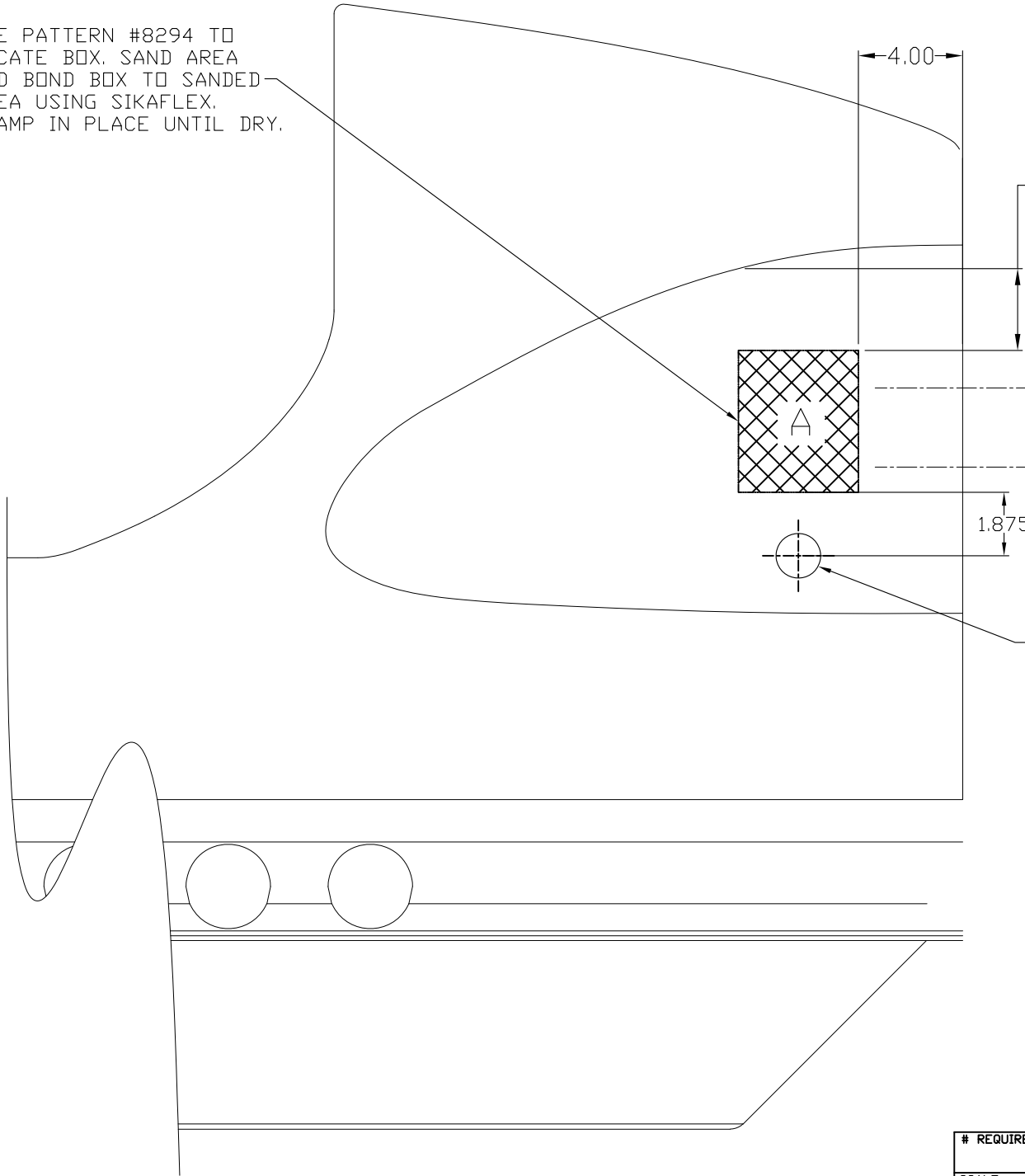
NOTES:

- 1) WHITE WIRE FROM 4-CORE CONNECTOR SPLICED WITH WHITE WIRE FROM 4-CORE POTS. WIRES ARE SPLICED INSIDE PORT BOX.
- 2) BLACK WIRE FROM 4-CORE CONNECTOR SPLICED WITH BLACK WIRE FROM 4-CORE LED. WIRES ARE SPLICED INSIDE PORT BOX.

# REQUIRED:	CHECKED:
SCALE:	
FINISH:	WEIGHT:

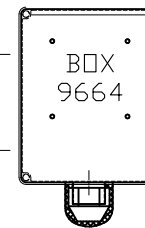
SIG. NO.	REVISION	DATE
1649 TIPPECANOE STREET TERRE HAUTE, INDIANA, U.S.A. 47807-2394 TELEPHONE (812) 234-1120 FAX (812) 234-3217		
DRAWN:	NAME:	
CJ POEHLER	DUAL COMPUTER WIRING DIAGRAM	
DATE:	NUMBER:	REV.
15 SEP, 2022	16458	2

USE PATTERN #8294 TO LOCATE BOX. SAND AREA AND BOND BOX TO SANDED AREA USING SIKAFLEX. CLAMP IN PLACE UNTIL DRY.



SEAL TOP OF BOX USING SIKAFLEX 2378

SEAL AROUND CABLE NUT USING SIKAFLEX 2378



PORT SIDE DRILL 5/8 DIAM.

STARBOARD SIDE DRILL 1/2 DIAM.

ORDER OF OPERATIONS

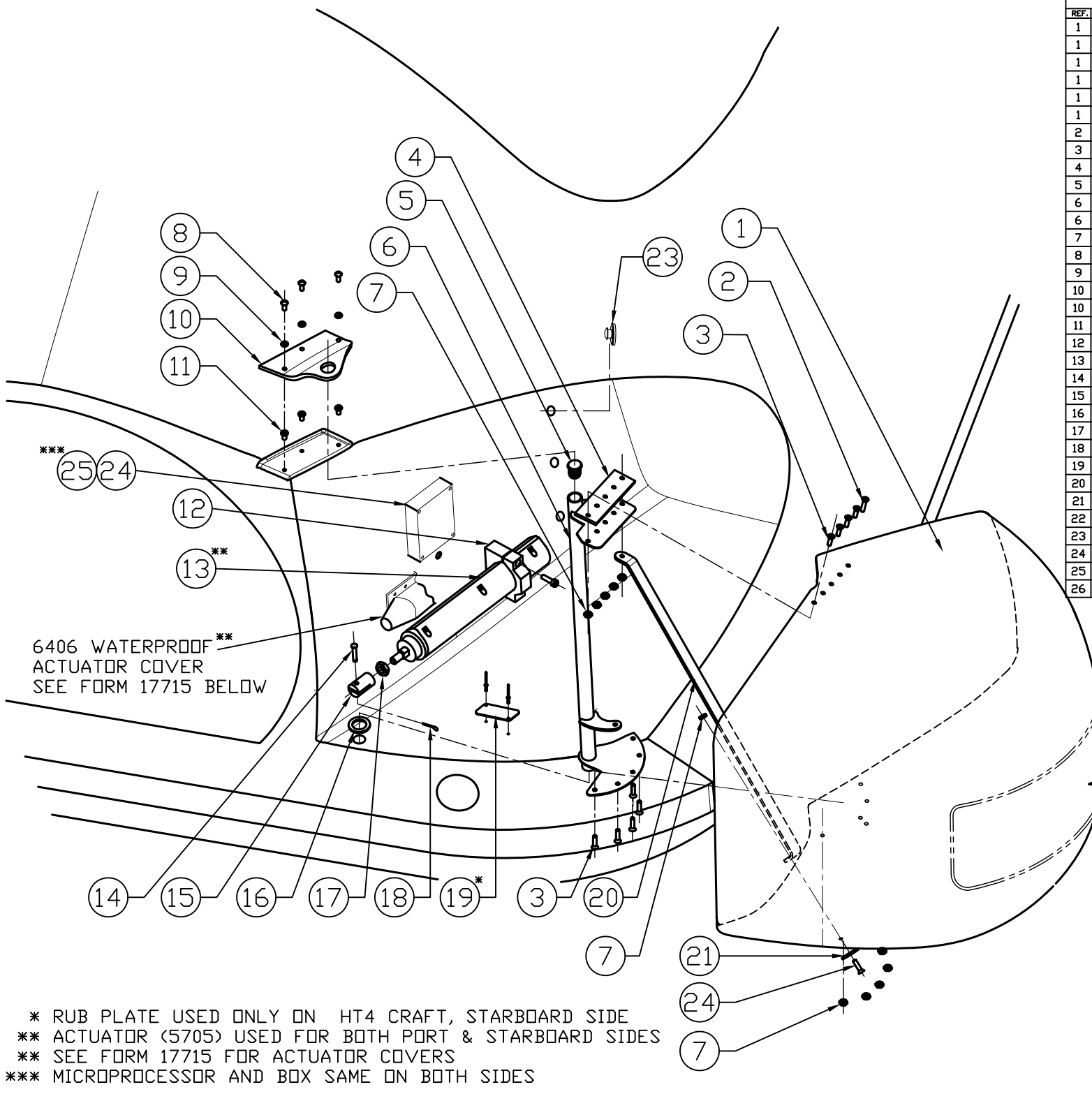
- 1) USE PATTERN #8294 TO GET LOCATION.
- 2) SAND AREA "A" AND BOND COMPUTER BOX IN PLACE. USE SIKAFLEX TO BOND AND CLAMP UNTIL DRY.
- 3) DRILL HOLES IN LOCATION SPECIFIED. DRILL HOLES TO DIAMETER SPECIFIED PER SIDE.
- 4) WHEN COMPUTERS ARE WIRED AND TESTED, SEAL AROUND GLAND NUT AND SEAL TOP OF BOX.

SIG. NO.	REVISION	DATE

Neoteric Hovercraft Inc.
 1649 TIPPECANOE STREET
 TERRE HAUTE, INDIANA, U.S.A. 47807-2394
 TELEPHONE (812) 234-1120 FAX (812) 234-3217

# REQUIRED:	CHECKED:
SCALE:	
FINISH:	WEIGHT:

DRAWN: CJ POEHLIN	NAME: LOCATION OF DUAL COMPUTER SYSTEM
DATE: 15 SEP, 2022	NUMBER: 16457
	REV. 2



BILL OF MATERIAL		
REF.	PART #	DESCRIPTION
1	6244	HOVERTREK BUCKET ASSEMBLY, PORT
1	6245	HOVERTREK BUCKET ASSEMBLY, STAR
1	6230	HOVERTREK BUCKET STARBOARD (SHOWN)
1	6229	HOVERTREK BUCKET PORT
1	1915	HT4 BUCKET, STARBOARD (OLD STYLE)
1	3625	HT4 BUCKET, PORT (OLD STYLE)
2	2388	FLAT HD MACHINE SCREW
3	2332	FLAT HD MACHINE SCREW
4	3770	BUCKET SHIM
5	6577	END CAP
6	1918	HT BUCKET HINGE ASSY, STARBOARD (SHOWN)
6	1939	HT BUCKET HINGE ASSY, PORT
7	2333	HEX NUT
8	2709	ROUND HD MACHINE SCREW
9	2362	WASHER
10	3746	UPPER BUCKET BEARING, STARBOARD (SHOWN)
10	3747	UPPER BUCKET BEARING, PORT
11	2552	WELL NUT
12	6463	BUCKET ACTUATOR CLAMP, MODIFIED
13	5705	BUCKET ACTUATOR, MODIFIED
14	2342	SS CLEVIS PIN
15	3740	BUCKET CLEVIS
16	1187	LOWER BUCKET SPACER
17	2384	JAM NUT
18	2071	SPLIT COTTER PIN, SS
19	3662	RUB PLATE ASSY*
20	5558	HT BUCKET STAY
21	2387	1.00" FENDER WASHER
22	3774	HOVERTREK REVERSE BUCKET DECAL
23	3506	RUBBER BUMPER
24	9947	FLAT HD MACHINE SCREW (START HIN 0850)
25	9664	DUAL REVERSE THRUST MICROPROCESSOR BOX
26	9670	SINGLE CHANNEL REVERSE MICROPROCESSOR

6406 WATERPROOF ACTUATOR COVER
SEE FORM 17715 BELOW



22

- * RUB PLATE USED ONLY ON HT4 CRAFT, STARBOARD SIDE
- ** ACTUATOR (5705) USED FOR BOTH PORT & STARBOARD SIDES
- ** SEE FORM 17715 FOR ACTUATOR COVERS
- *** MICROPROCESSOR AND BOX SAME ON BOTH SIDES

CJ	4	ADDED NEW MICROPROCESSOR AND BOX	26 SEP, 2022
CJ	4	ADDED LONGER BUCKET STAY SCREW	7 JAN, 2022
CJ	4	ADD RUBBER BUMPER	6 APR, 2017
CS	4	MOD NOTES; REMOVE 6103 ACTUATOR	11 NOV, 2014
CS	3	ADD DECAL 3774	8 AUG, 2014
CS	2	REV DESCRIPTIONS, UPDATE TO STD II	11 MAR, 2013
SIG.	NO.	REVISION	DATE

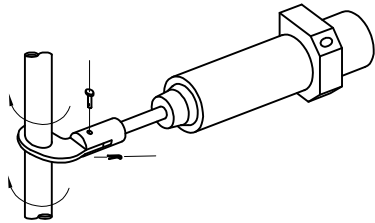
Neoteric Hovercraft Inc.
 1649 TIPPECANOE STREET
 TERRE HAUTE, INDIANA, U.S.A. 47807-2394
 TELEPHONE (812) 234-1120 FAX (812) 234-3217

DRAWN:	C. STEIMEL	NAME:	BUCKET ASSY PARTS
DATE:	20 DEC, 2011	NUMBER:	17737
		REV.	4

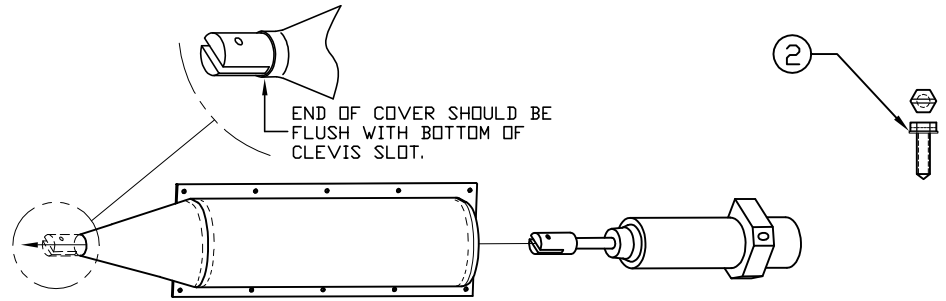
BILL OF MATERIAL			
REF.	PART #	DESCRIPTION	QTY.
1	6406	WATERPROOF ACTUATOR COVER	1
2	2459	SCREW	11
3	2326	HOSE CLAMP	1
	2378	SEALANT/ADHESIVE, BLACK	5

INSTALLATION INSTRUCTIONS

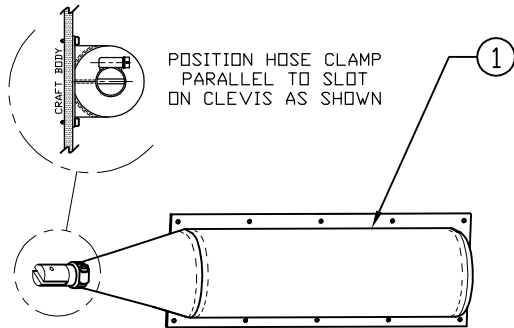
STARBOARD SIDE SHOWN



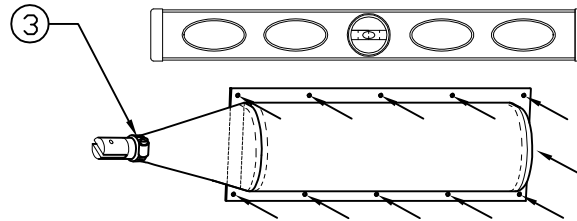
1) REMOVE COTTER & CLEVIS PINS AND DISCONNECT CLEVIS FROM BUCKET.



2) INSERT COVER ONTO ACTUATOR AND SLIDE CLEVIS 3/4 WAY THROUGH FRONT OPENING AS SHOWN.

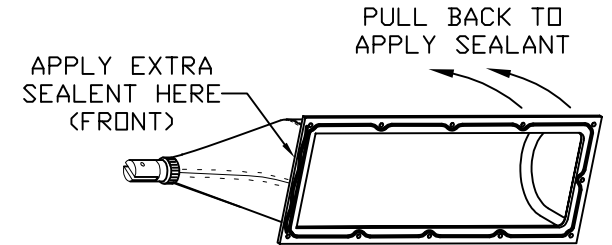


3) TIGHTLY CLAMP COVER TO CLEVIS WITH HOSE CLAMP AS SHOWN. COVER SHOULD BE FLUSH WITH BOTTOM OF CLEVIS SLOT AS SHOWN IN STEP 2.



4) LEVEL CLAMP RIM HORIZONTALLY. USE CLAMP RIM TO AS GUIDE TO MARK ALL 11 HOLES. USE SCREW (2459) TO PRE-DRILL ALL HOLES BY DRIVING SCREW 1/4" IN THEN BACKING OUT.

-DO NOT STRIP HOLES OUT-

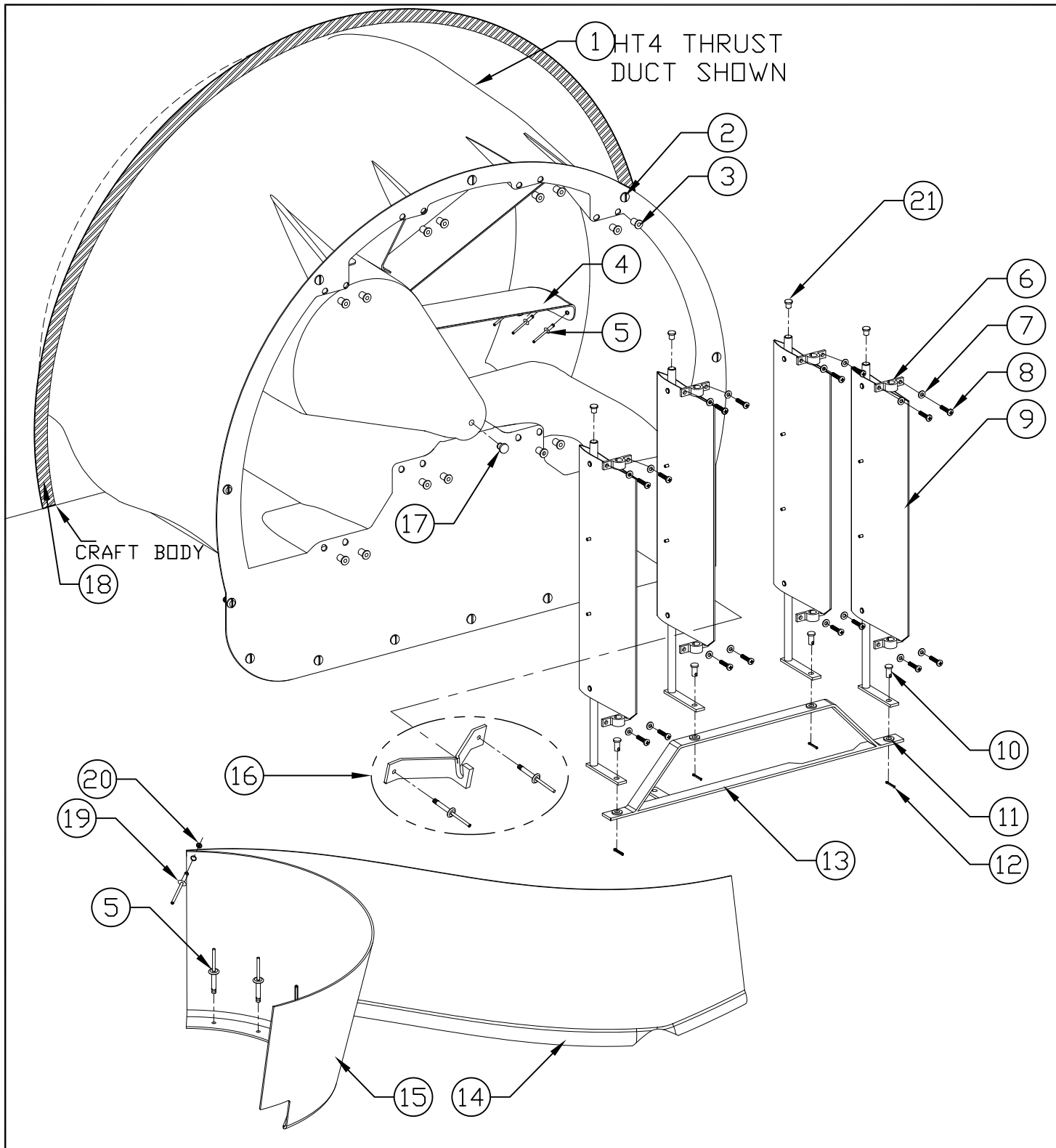


5) PULL COVER BACK WHILE INSTALLED ON CLEVIS AND APPLY BEAD OF SEALANT (SILICONE OR POLYURETHANE) AROUND MOUNTING SURFACE AS SHOWN. REPOSITION BAG ONTO CRAFT AND INSTALL FASTENERS.

**** ENSURE COVER DOES NOT RESTRICT ACTUATOR MOVEMENT ****


CJ	3	ADDED REF #'S AND SCREW	21 OCT, 2015
CP	2	REV DESCRIPTIONS	23 JAN, 2013
SIG. NO.		REVISION	DATE

<small>1649 TIPPECANOE STREET TERRE HAUTE, INDIANA, U.S.A. 47807-2394 TELEPHONE (812) 234-1120 FAX (812) 234-3217</small>	
DRAWN:	NAME:
C. STEIMEL	WATERPROOF ACTUATOR COVER ASSY.
DATE:	FORM:
13 JUNE, 2008	17715
	REV:
	2



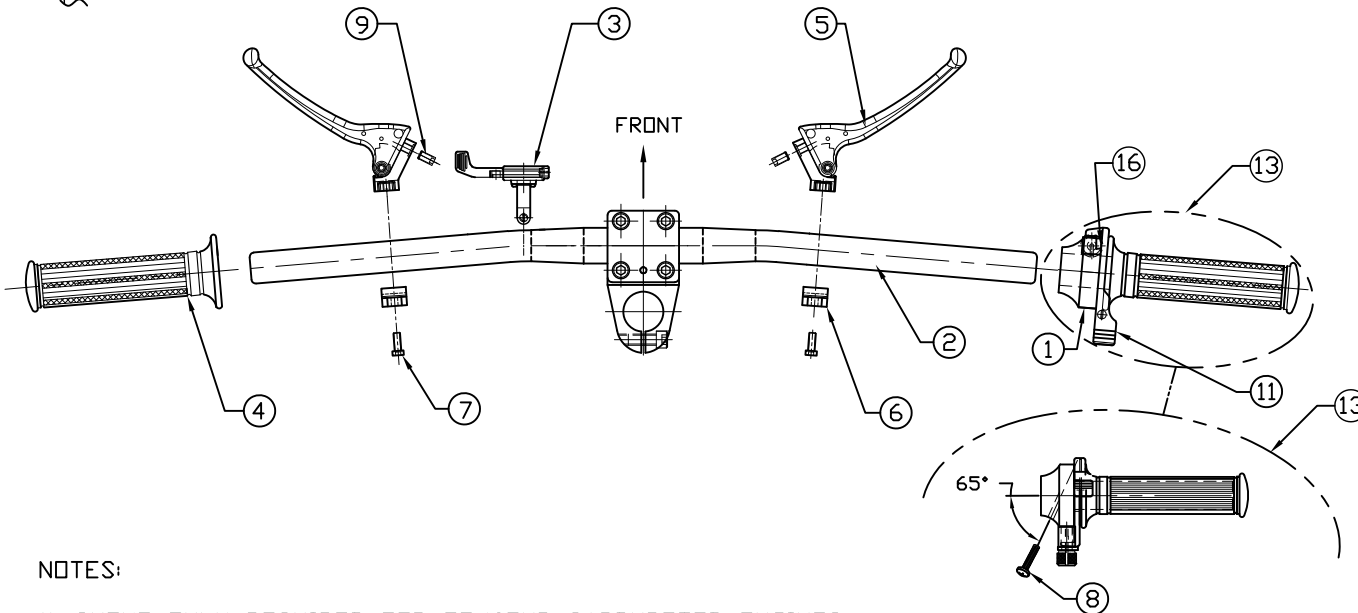
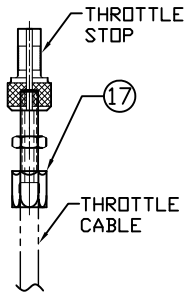
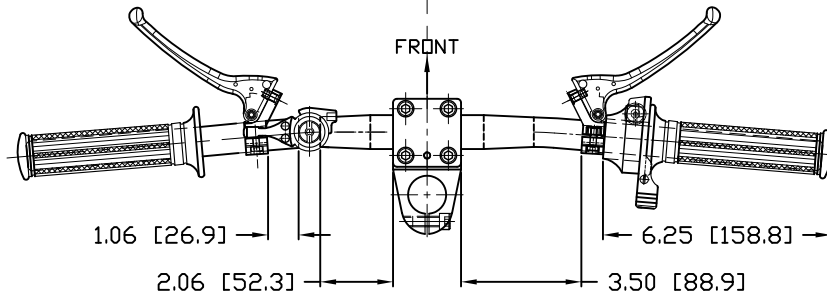
BILL OF MATERIAL		
REF.	PART NO.	DESCRIPTION
1	1987	HT4 THRUST DUCT ASSY
1	5799	HT6 THRUST DUCT ASSY
2	2027	PLASTIC SCREW
3	2551	WELL NUT
4	3779	HT4 STATOR BLADE
4	5801	HT6 STATOR BLADE
5	2185	POP RIVET
6	3487	RUDDER BEARING
7	2367	WASHER
8	2437	SCREW
9	3399	WELDED RUDDER
10	1033	CLEVIS PIN
11	5439	FLANGED RUDDER BAR BEARING
12	2071	SPLIT COTTER PIN
13	6348	WELDED RUDDER BAR
14	3756	DUCT DIVIDER, LOWER STARBOARD
15	3754	DUCT DIVIDER, LOWER PORT
16	5828	REAR CABLE MOUNT ASSY
17	3506	RUBBER BUMPER
18	3062	RUBBER SEAL
19	2058	RIVET
20	2359	POP WASHER
21	2977	NYLON HOLE PLUG, BLACK
	2378	SEALANT/ADHESIVE, BLACK

CJ	5	ADDED RIVET & WASHER TO SPLITTERS	31 JAN, 2017
CJ	4	ADDED RUBBER SEAL	26 AUG, 2016
CS	3	ADD 3754, 3756, 2185 & 2378	17 JUL, 2014
CS	2	UPDATE TO STD II, ADDED 5439	11 MAR, 2013
CP		REV DESCRIPTIONS	18 JAN, 2013
SIG. NO.		REVISION	DATE

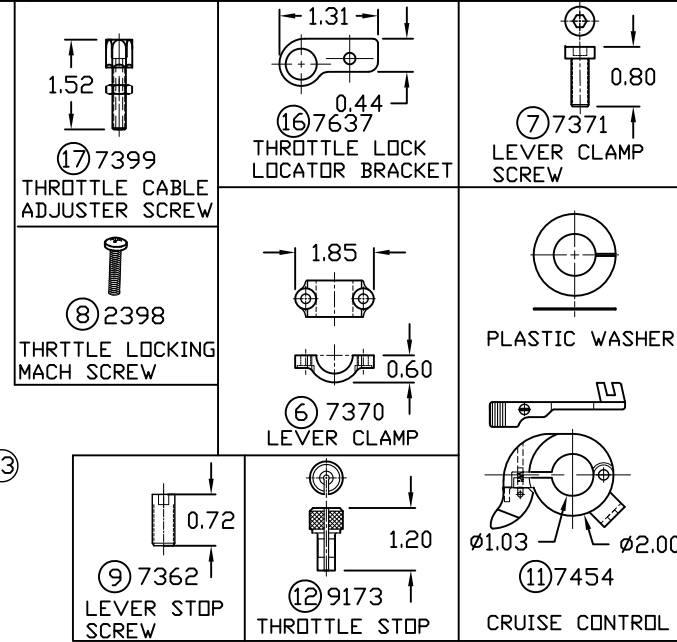

Neoteric Hovercraft Inc.
 1649 TIPPECANOE STREET
 TERRE HAUTE, INDIANA, U.S.A. 47807-2394
 TELEPHONE (812) 234-1120 FAX (812) 234-3217

DRAWN: M. ROSEBRAUGH	NAME: THRUST DUCT AND RUDDER ASSY
DATE: 8 JULY, 2009	NUMBER: 17106 REV. 5

ATTENTION:
ALL CRAFT MANUFACTURED
AFTER JAN 1, 2015 HAVE
HANDLEBAR COVERS.



BILL OF MATERIAL			
REF.	PART #	DESCRIPTION	QTY.
1	7364	PLASTIC SINGLE CABLE THROTTLE	1
2	3735	HANDLEBAR ASSEMBLY	1
3	7348	CHOKE	1
4	3492	GRIP PORT	1
5	7369	REVERSE THRUST CONTROL LEVER	2
6	7370	REVERSE THRUST CONTROL LEVER CLAMP	2
7	7371	CONTROL LEVER CLAMP SCREW	4
8	2398	THROTTLE LOCKING SCREW	1
9	7362	CONTROL LEVER STOP SCREW	2
11	7454	CRUISE CONTROL	1
12	9173	THROTTLE STOP	1
13	7453	THROTTLE ASSEMBLY	1
14	7840	HANDLEBAR COVER	1
15	7918	HANDLEBAR COVER SCREW	1
16	7637	THROTTLE LOCK LOCATOR BRACKET	1
17	7399	THROTTLE CABLE LENGTH ADJUSTER SCREW	1



NOTES:

- 1) CHOKE ONLY REQUIRED FOR 55/65HP CARBURETED ENGINES.
- 2) CHOKE LOCATION DIMENSIONS FROM CHOKE MOUNTING BRACKET EDGE.
- 3) THROTTLE & CRUISE CONTROL ASSEMBLED WITH THROTTLE STOP.
- 4) PLACE GRIPS TO BOTTOM OUT. CHECK THROTTLE GRIP DOES NOT ADD FRICTION TO THROTTLE OPERATION.
- 5) REVERSE CONTROL LEVERS ARE TURNED 20° DOWN FROM THE HORIZONTAL.

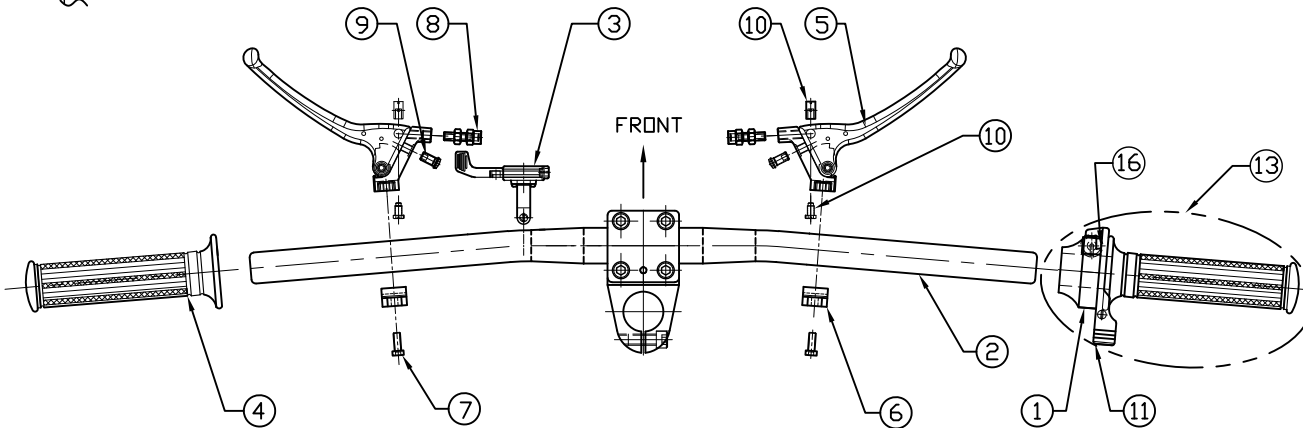
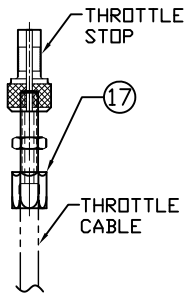
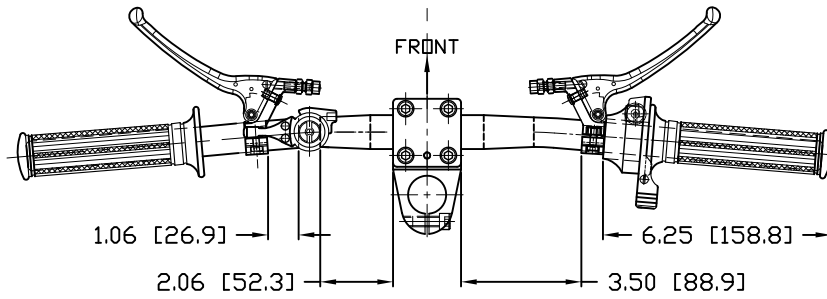
* ATTENTION: ALL CRAFT MANUFACTURED AFTER APRIL, 2012 ARE EQUIPPED WITH 309 SERIES CONTROLS AS SHOWN HERE.

CJ 5	ADDED THROTTLE LOCKING SCREW	24 AUG, 2021
CJ 4	ADDED LOCATOR BRKT & REVISED #'S	17 AUG, 2016
CJ 3	ADDED HANDLEBAR COVER	16 APR, 2015
SIG. NO.	REVISION	DATE

Neoteric Hovercraft Inc.
1649 TIPPECANOE STREET
TERRE HAUTE, INDIANA, U.S.A. 47807-2394
TELEPHONE: (812) 234-1120 FAX: (812) 234-3217

DRAWN: CJ POEHLEIN NAME: 309 HANDLEBAR CONTROLS
DATE: 11 DEC, 2012 NUMBER: 17358 REV. 5

ATTENTION:
ALL CRAFT MANUFACTURED
AFTER JAN 1, 2015 HAVE
HANDLEBAR COVERS.

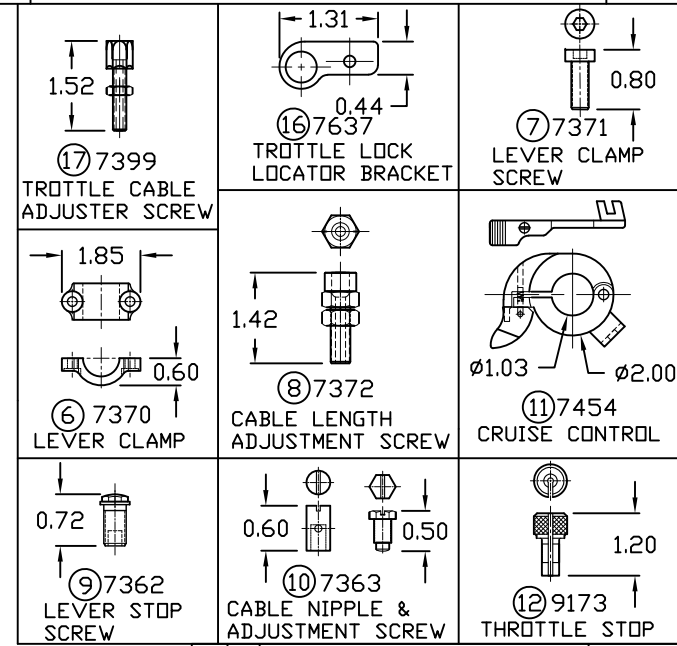


* ATTENTION: ALL CRAFT MANUFACTURED AFTER
APRIL, 2012 ARE EQUIPPED WITH 309
SERIES CONTROLS AS SHOWN HERE.

NOTES:

- 1) CHOKE ONLY REQUIRED FOR 55/65HP CARBURETED ENGINES.
- 2) CHOKE LOCATION DIMENSIONS ARE FROM CHOKE MOUNTING BRACKET EDGE.
- 3) THROTTLE & CRUISE CONTROL ARE ASSEMBLED WITH THROTTLE STOP.
- 4) PLACE GRIPS TO BOTTOM OUT. CHECK THROTTLE GRIP DOES NOT ADD FRICTION TO THE THROTTLE OPERATION.
- 5) REVERSE CONTROL LEVERS ARE TURNED 20° DOWN FROM THE HORIZONTAL.

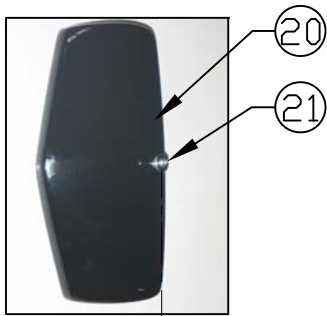
BILL OF MATERIAL			
REF.	PART #	DESCRIPTION	QTY.
1	7364	PLASTIC SINGLE CABLE THROTTLE	1
2	3735	HANDLEBAR ASSEMBLY	1
3	7348	CHOKE	1
4	3492	GRIP PORT	1
5	7369	REVERSE THRUST CONTROL LEVER	2
6	7370	REVERSE THRUST CONTROL LEVER CLAMP	2
7	7371	CONTROL LEVER CLAMP SCREW	4
8	7372	CABLE LENGTH ADJUSTER SCREW	2
9	7362	CONTROL LEVER STOP SCREW	2
10	7363	CABLE NIPPLE & ADJUSTMENT SCREW	2
11	7454	CRUISE CONTROL	1
12	9173	THROTTLE STOP	1
13	7453	THROTTLE ASSEMBLY	1
14	7840	HANDLEBAR COVER	1
15	7918	HANDLEBAR COVER SCREW	1
16	7637	THROTTLE LOCK LOCATOR BRACKET	1
17	7399	THROTTLE CABLE LENGTH ADJUSTER SCREW	1



CJ 4	ADDED LOCATOR BRKT & REVISED #'S	17 AUG, 2016
CJ 3	ADDED HANDLEBAR COVER	16 APR, 2015
SIG. NO.	REVISION	DATE

Neoteric Hovercraft Inc.
 1649 TIPPECANOE STREET
 TERRE HAUTE, INDIANA, U.S.A. 47807-2394
 TELEPHONE: (812) 234-1120 FAX: (812) 234-3217

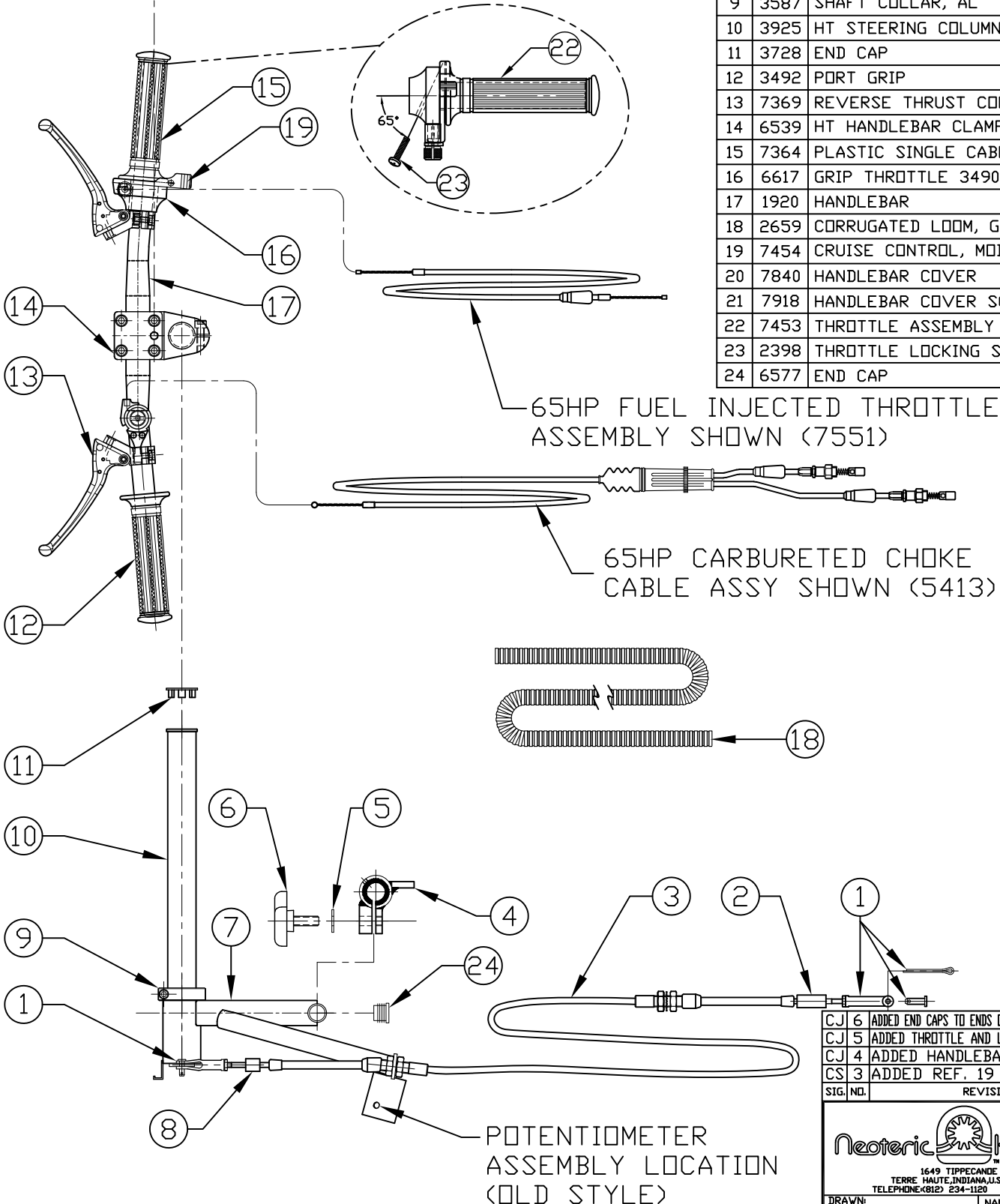
DRAWN: CJ POEHLEIN	NAME: 309 HANDLEBAR CONTROLS
DATE: 11 DEC, 2012	NUMBER: 17358 REV. 4



NOTES:

- 1) SHOWN WITH 309 SERIES CONTROLS
- 2) SEE FORM #17359 FOR CABLE PART NUMBERS
- 3) ALL CRAFT MANUFACTURED AFTER JAN 1, 2015 HAVE HANDLEBAR COVERS

BILL OF MATERIAL		
REF.	PART #	DESCRIPTION
1	5829	CLEVIS ASSY, MODIFIED
2	3805	RUDDER CABLE STOP, REAR
3	3644	HT4 RUDDER CABLE
3	5640	HT6 RUDDER CABLE
4	5703	STEERING CLAMP ASSY
5	2474	WASHER, SS
6	3531	5-STAR CLAMPING KNOB
7	3803	SXS CONTROLS, SLIDER ASSEMBLY
8	3804	RUDDER CABLE STOP, FORWARD
9	3587	SHAFT COLLAR, AL
10	3925	HT STEERING COLUMN ASSY
11	3728	END CAP
12	3492	PORT GRIP
13	7369	REVERSE THRUST CONTROL LEVER
14	6539	HT HANDLEBAR CLAMP, BLACK MODIFIED
15	7364	PLASTIC SINGLE CABLE THROTTLE
16	6617	GRIP THROTTLE 3490
17	1920	HANDLEBAR
18	2659	CORRUGATED LOOM, GREY
19	7454	CRUISE CONTROL, MODIFIED
20	7840	HANDLEBAR COVER
21	7918	HANDLEBAR COVER SCREW
22	7453	THROTTLE ASSEMBLY
23	2398	THROTTLE LOCKING SCREW
24	6577	END CAP



SIG. NO.	REVISION	DATE
CJ 6	ADDED END CAPS TO ENDS OF SLIDER ASSEMBLY	25 OCT, 2021
CJ 5	ADDED THROTTLE AND LOCKING SCREW	2 SEP, 2021
CJ 4	ADDED HANDLEBAR COVER	16 APR, 2015
CS 3	ADDED REF. 19 TO DWG	30 AUG, 2013

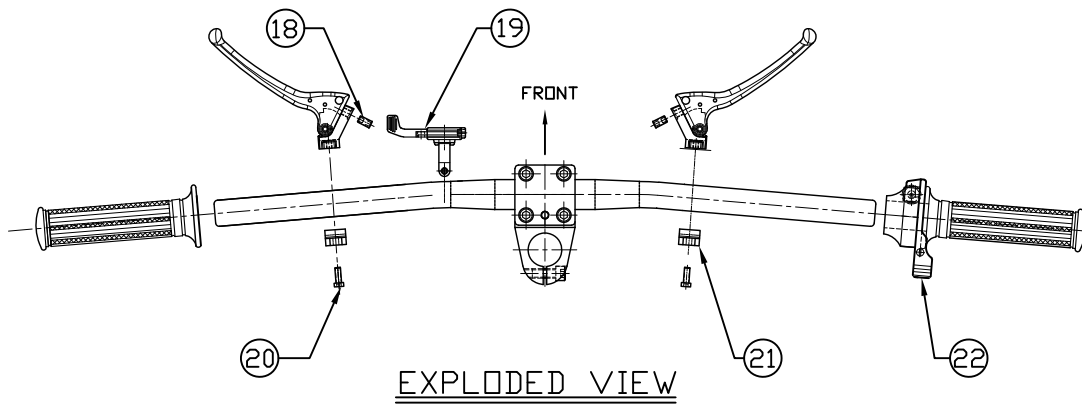
Neoteric Hovercraft Inc.

 1649 TIPPECANOE STREET

 TERRE HAUTE, INDIANA, U.S.A. 47807-2394

 TELEPHONE (812) 234-1120 FAX (812) 234-3217

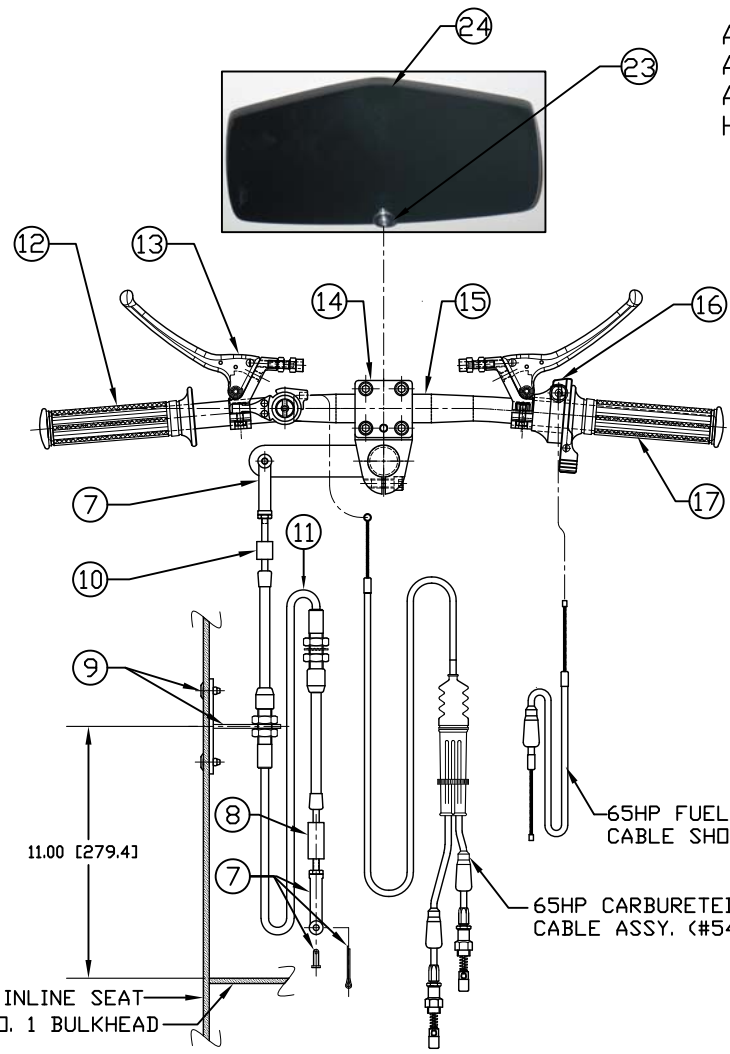
DRAWN:	CJ POEHLIN	NAME:	SIDE BY SIDE SEAT CONTROLS
DATE:	18 DEC, 2012	NUMBER:	17110
		REV.:	6



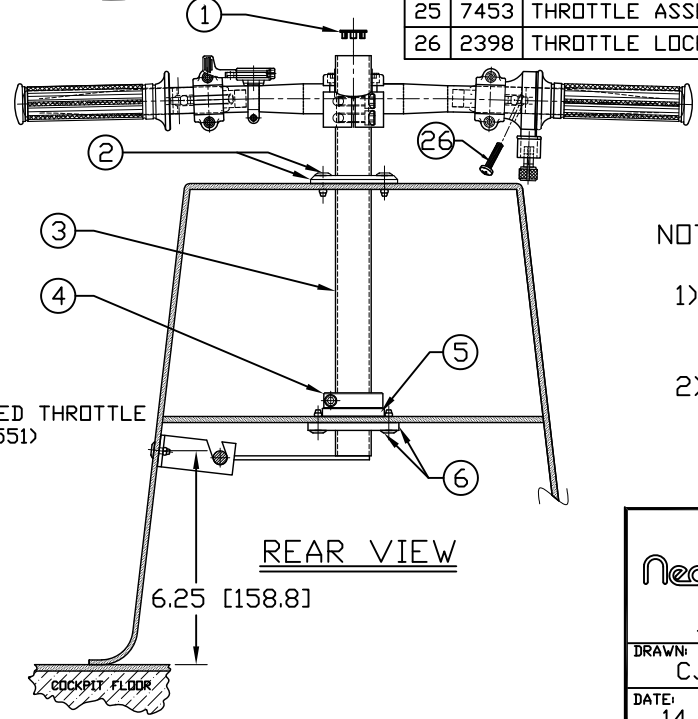
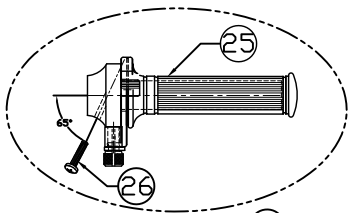
EXPLODED VIEW

BILL OF MATERIAL		
REF.	PART #	DESCRIPTION
1	3728	END CAP
2	5825	UPPER STEERING COLUMN BEARING, KIT
3	3925	HT STEERING COLUMN ASSY
4	3587	SHAFT COLLAR, AL
5	3731	STEERING COLUMN WASHER
6	3833	LOWER STEERING COLUMN BEARING, KIT
7	5829	CLEVIS ASSY, MODIFIED
8	3805	RUDDER CABLE STOP, REAR
9	3834	FORWARD CABLE MOUNT KIT
10	3804	RUDDER CABLE STOP, FORWARD
11	3644	HT4 RUDDER CABLE
11	5640	HT6 RUDDER CABLE
12	3492	GRIP, PORT
13	7369	REVERSE THRUST CONTROL LEVER
14	6539	MODIFIED HT HANDLEBAR CLAMP, BLACK
15	1920	HL HANDLEBAR
16	7364	PLASTIC SINGLE CABLE THROTTLE
17	6617	THROTTLE REPLACEMENT GRIP
18	7362	CONTROL LEVER STOP SCREW
19	7348	CHOKE LEVER & NIPPLE
20	7371	CONTROL LEVER CLAMP SCREW
21	7370	REVERSE THRUST CONTROL LEVER CLAMP
22	7454	CRUISE CONTROL
23	7840	HANDLEBAR COVER
24	7918	HANDLEBAR COVER SCREW
25	7453	THROTTLE ASSEMBLY
26	2398	THROTTLE LOCKING SCREW

ATTENTION:
ALL CRAFT MANUFACTURED
AFTER JAN 1, 2015 HAVE
HANDLEBAR COVERS.



TOP VIEW



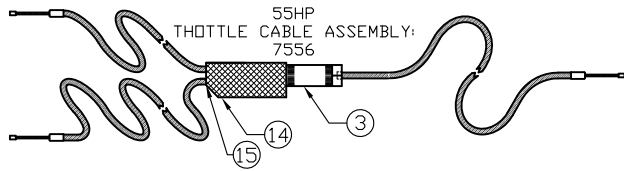
REAR VIEW

NOTES:

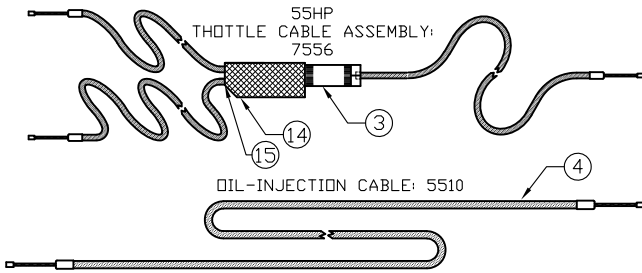
- 1) SHOWN WITH 309 SERIES CONTROLS.
- 2) SEE FORM # 17359 FOR CABLE PART NUMBERS.

<small>1649 TIPPECANOE STREET TERRE HAUTE, INDIANA, U.S.A. 47807-2394 TELEPHONE (812) 234-1120 FAX (812) 234-3217</small>			
DRAWN:	CJ POEHLEIN	NAME:	INLINE CONTROLS
DATE:	14 DEC, 2012	NUMBER:	17109
		REV.	4

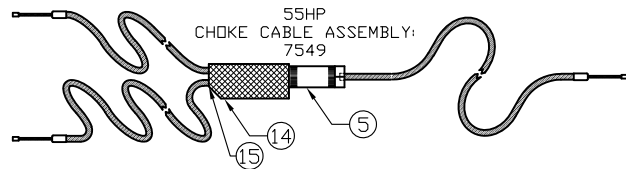
55HP CARB THROTTLE & CHOKE CABLES



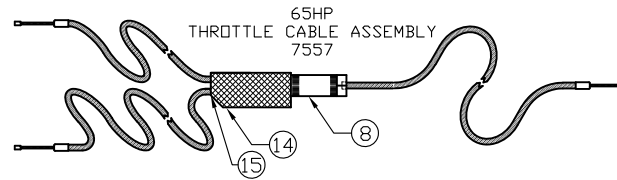
55HP CARB OIL-INJECTED THROTTLE CABLES



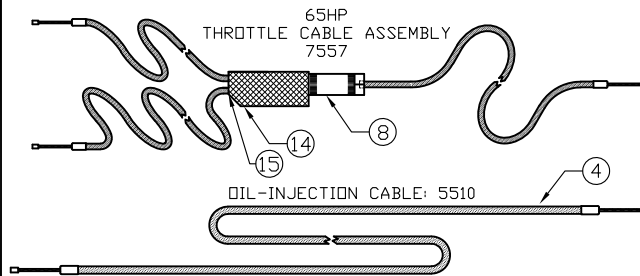
55HP CARB CHOKE CABLE



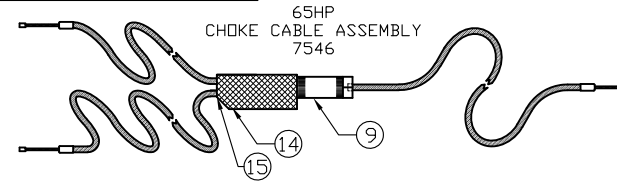
65HP CARB THROTTLE & CHOKE CABLES



65HP CARB OIL-INJECTED THROTTLE CABLES

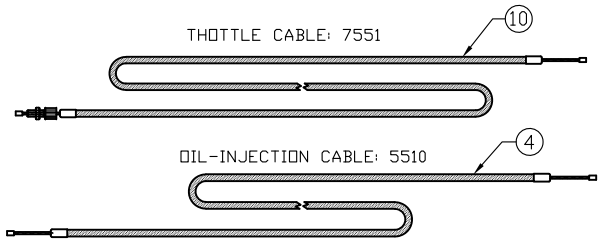


65HP CARB CHOKE CABLE

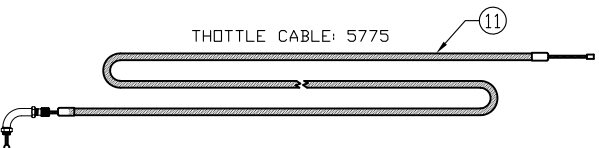


65HP & 100HP F. I. THROTTLE CABLES

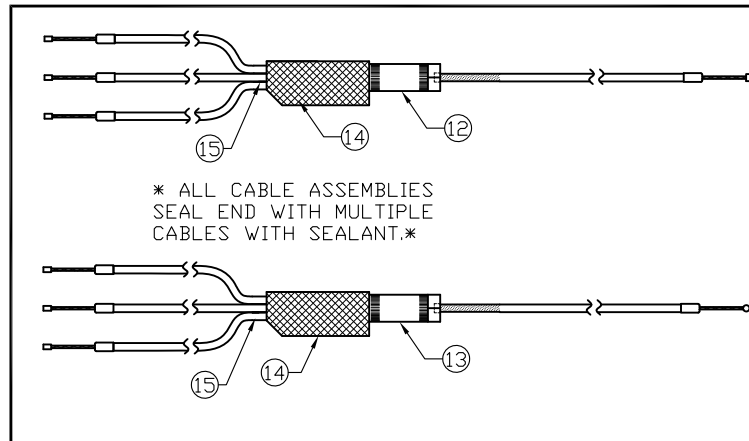
65HP FUEL INJECTED THROTTLE CABLE



100HP FUEL INJECTED THROTTLE CABLE



100HP CARB THROTTLE AND CHOKE CABLE



BILL OF MATERIAL		
REF.	PART #	DESCRIPTION
1	5523	55HP CARB FRONT THROTTLE CABLE
2	5522	55HP CARB REAR THROTTLE CABLE
3	5565	55HP CARB O.I. THROTTLE CABLE ASSY
4	5510	OIL INJECTION CABLE
5	5531	55HP CHOKE CABLE ASSY
6	5412	65HP CARB FRONT THROTTLE CABLE
7	5411	65HP CARB REAR THROTTLE CABLE
8	5571	65HP CARB O.I. THROTTLE CABLE ASSY
9	5413	65HP CHOKE CABLE ASSY
10	5224	65HP F.I. THROTTLE CABLE
11	5775	100HP F.I. THROTTLE CABLE

OLD STYLE CONTROLS
CABLES LISTED ABOVE FOR OLD SERIES CONTROLS

NEW STYLE CONTROLS
CABLES LISTED BELOW FOR MODEL 309 CONTROLS
309 SERIES CONTROLS SHOWN ON FORM 17358

7549	55HP MODEL 14 CHOKE CABLE ASSY
7556	55HP MODEL 309 CARB THROTTLE CABLE ASSY
7546	65HP MODEL 14 CHOKE CABLE ASSY
7557	65HP MODEL 309 CARB THROTTLE CABLE ASSY
7561	55/65HP MODEL 309 OIL INJECTION CABLE
7551	65HP MODEL 309 F.I. THROTTLE CABLE
7552	65HP MODEL 309 F.I. O.I. THRTTLE CABLE ASSY
7555	100HP MODEL 309 F.I. THROTTLE CABLE
12	7837 100HP CARBURETED THROTTLE CABLE ASSY
13	7838 100HP CARBURETED CHOKE CABLE ASSY
14	10366 FABRIC CABLE SPLITTER COVER
15	2378 POLYURETHANE SEALANT/ADHESIVE, BLACK

- ATTENTION:
- 1) CABLES SHOWN ON THIS FORM ARE FOR HIRTH ENGINE AND OLD STYLE CONTROLS.
 - 2) SECOND LIST OF CABLES ON THIS FORM ARE FOR HIRTH ENGINE AND NEW STYLE CONTROLS.
 - 3) FABRIC COVER REPLACED TAPE AND BOOTS.
- * HAVE TO SEAL ENDS WITH MULTIPLE CABLES WITH SEALANT*

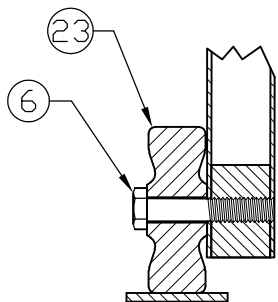
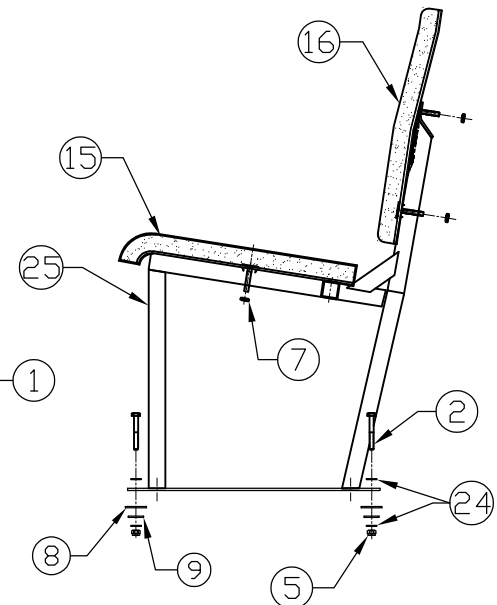
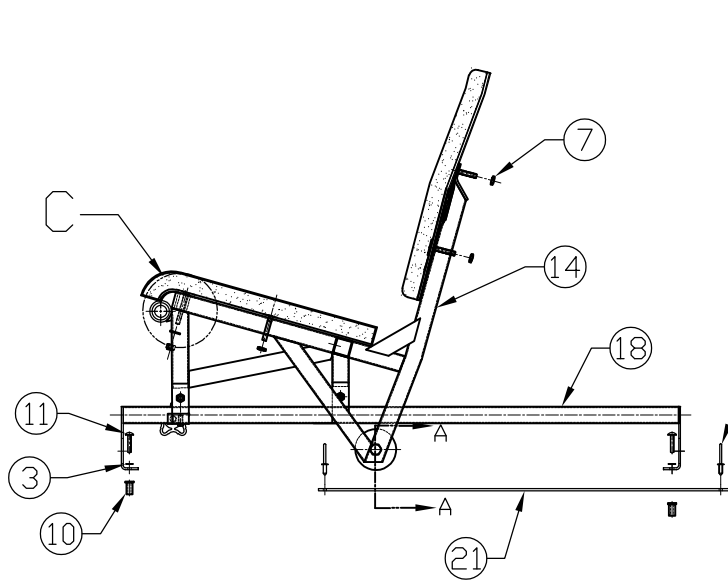
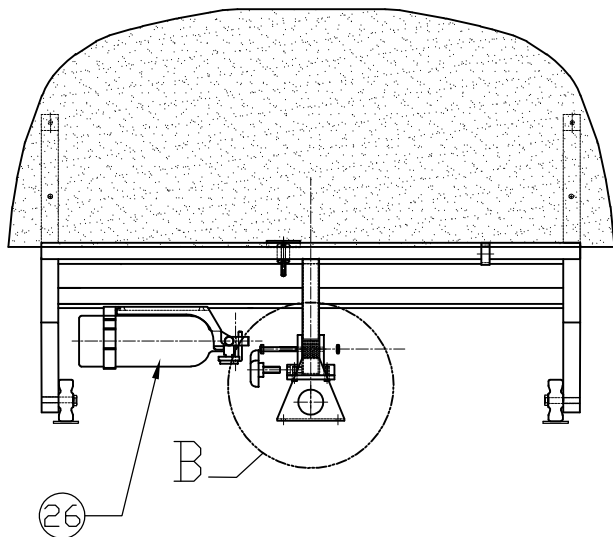
CJ 4	REMOVED TAPE ADDED FABRIC COVER	16 MAR, 2023
CJ 3	ADDED 100HP CARB CABLE & TAPE	31 JULY, 2018
SIG. NO.	REVISION	DATE

Neoteric Hovercraft Inc.

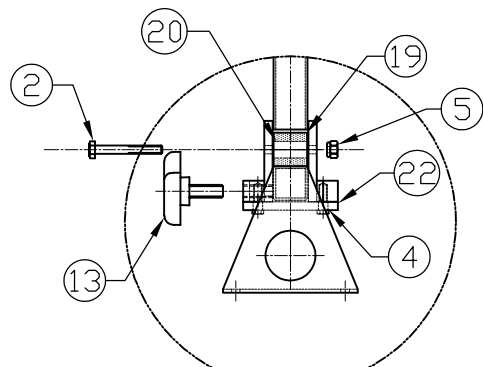
1649 TIPPECANOE STREET
TERRE HAUTE, INDIANA, U.S.A. 47807-2394
TELEPHONE: (812) 234-1120 FAX: (812) 234-3217

DRAWN:	NAME:
CJ POEHLEIN	CONTROL CABLES FOR HIRTH ENGINE
DATE:	NUMBER:
9 APR, 2015	17359
	REV.:
	4

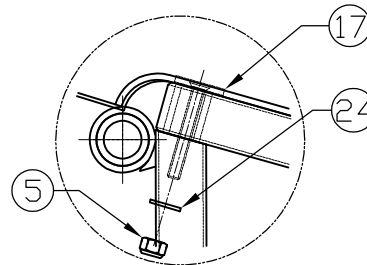
BILL OF MATERIAL				BILL OF MATERIAL				BILL OF MATERIAL			
REF.	PART #	DESCRIPTION	QTY.	REF.	PART #	DESCRIPTION	QTY.	REF.	PART #	DESCRIPTION	QTY.
1	7049	POP RIVET, BLACK ANNOIDIZED	4	14	6504	FRONT SIDE X SIDE SEAT FRAME COATED	1				
2	2281	HEX BOLT SS	6	15	3807	SEAT BOTTOM UPHOLSTERED	2				
3	2362	WASHER, SS	4	16	3819	SEAT BACK UPHOLSTERED	2				
4	2391	HEX BOLT SS	4	17	3826	BACKING PLATE ASSY	1				
5	2394	LOCK NUT, SS	7	18	3844	SEAT RAIL ASSY	1				
6	2442	HEX BOLT SS	2	19	5428	PLASTIC ROLLER OUTER	2				
7	2451	HEX NUT, SS	12	20	5429	PLASTIC ROLLER INNER	2				
8	2472	WASHER, SS	4	21	5553	SIDE RAIL COATED	2				
9	2474	WASHER, SS	4	22	5693	S X S FRONT SEAT RAIL CLAMP COATED	2				
10	2552	WELL NUT	4	23	5812	MODIFIED CUSHION RUBBER WHEEL	2				
11	7709	SCREW, SS	4	24	2070	WASHER, SS	10				
12	3188	THREAD LOCK ADHESIVE, RED	0.10	25	5556	REAR SIDE X SIDE SEAT FRAME COATED	1				
13	3531	CLAMPING BLACK PLASTIC 5 STAR	1	26	1134	FIRE EXTENGUISHER ASSEMBLY	1				



SECTION AA
4X SCALE



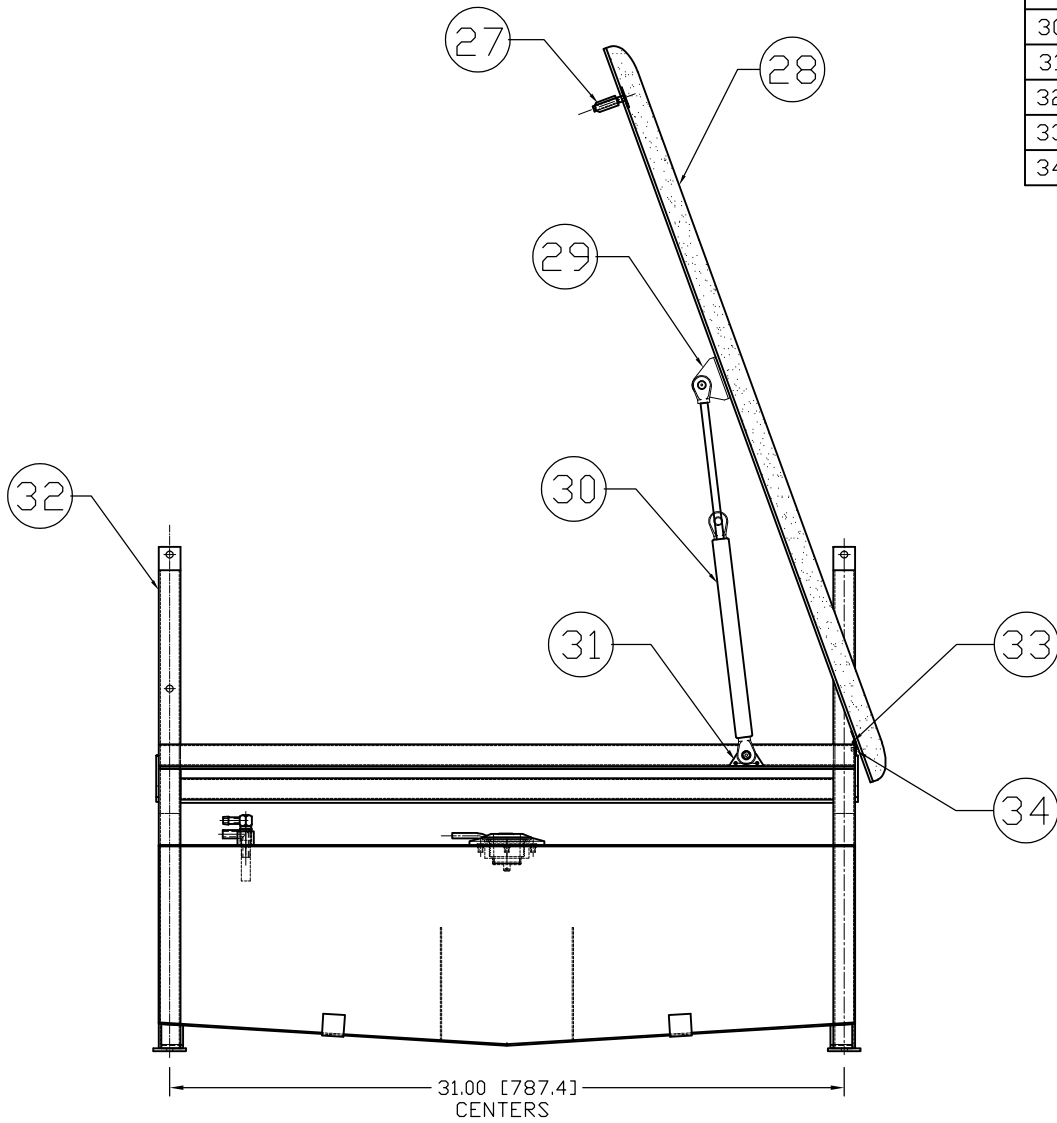
DETAIL B
2X SCALE



DETAIL C
3X SCALE

SIG. NO.	REVISION	DATE
1649 TIPPECANOE STREET TERRE HAUTE, INDIANA, U.S.A. 47807-2394 TELEPHONE (812) 234-1120 FAX (812) 234-3217		
DRAWN: CJ POEHLIN	NAME: SIDE X SIDE SEATING	NUMBER: 17371
DATE: 6 MAY, 2015	REV.:	2

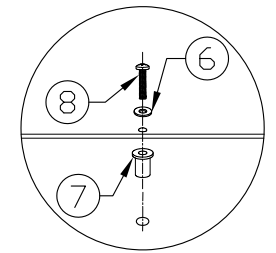
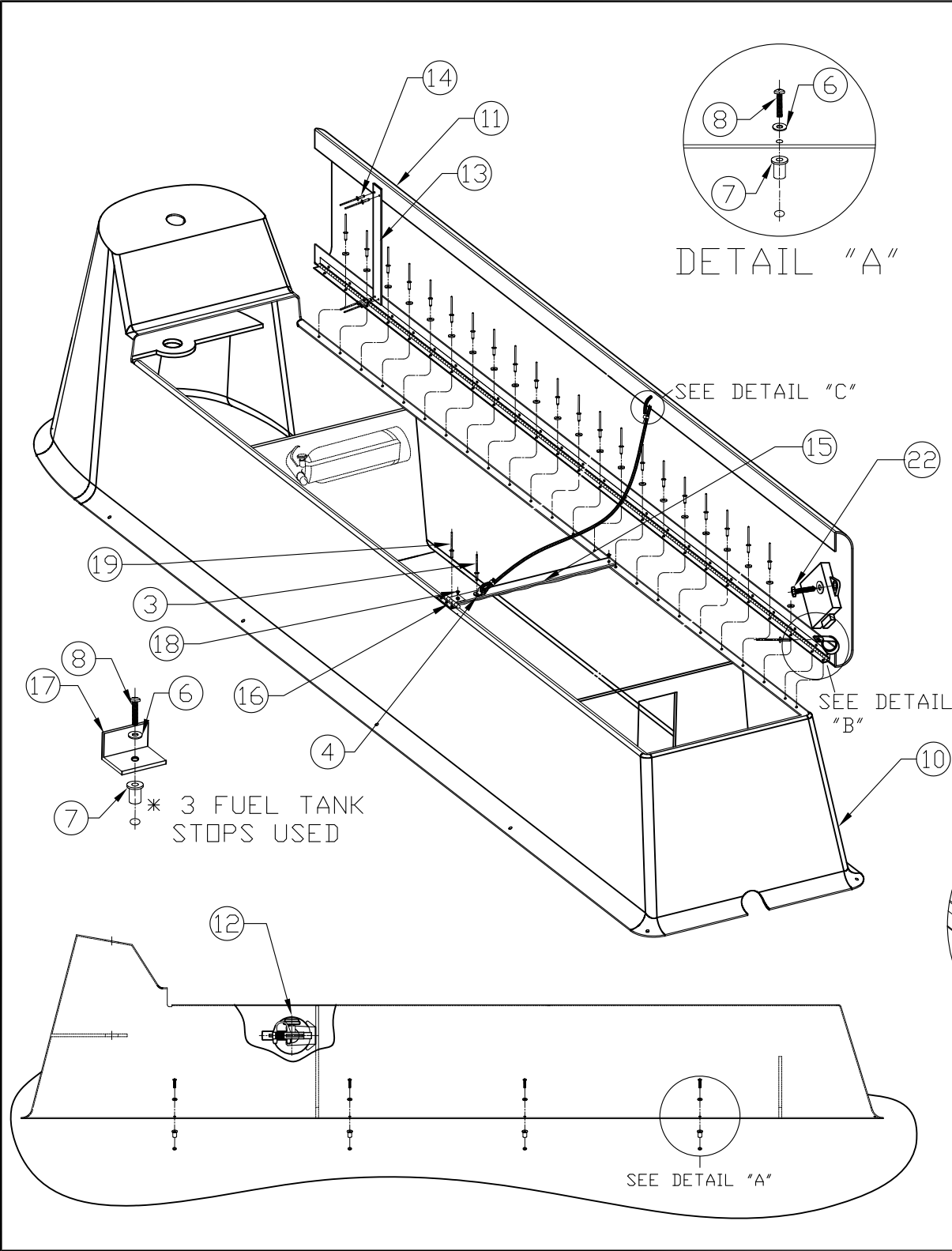
BILL OF MATERIAL			
REF.	PART #	DESCRIPTION	QTY.
27	7802	S X S REAR SEAT STUD GUIDE SLEEVE	1
28	9418	UPHOLSTERED SEAT BOTTOM, HINGED	1
29	7582	GAS SPRING MTING BALL BRKT, MOD UPPER	1
30	7424	GAS SPRING (15lb)	1
31	7564	GAS SPRING MTING BALL BRKT, MOD LOWER	1
32	7801	REAR S X S SEAT FRAME COATED ASSY	1
33	7642	HT4 S X S REAR SEAT HINGE	1
34	2160	RIVET, SS	15



SIG. NO.	REVISION	DATE

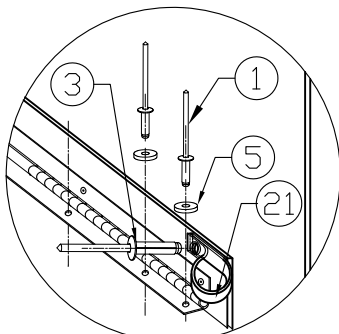

Neoteric Hovercraft Inc.
 1649 TIPPECANOE STREET
 TERRE HAUTE, INDIANA, U.S.A. 47807-2394
 TELEPHONE (812) 234-1120 FAX (812) 234-3217

DRAWN: CJ POEHLEIN	NAME: SIDE X SIDE SEATING
DATE: 4 DEC, 2017	NUMBER: 17371
	REV. 2

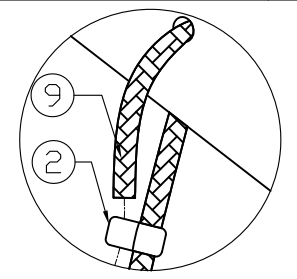


DETAIL "A"

BILL OF MATERIAL			
REF.	PART #	DESCRIPTION	QTY.
1	2058	RIVET	33
2	2092	MICOPRESS SLEEVE	1
3	2185	RIVET	1
4	2192	P-CLIP	1
5	2359	WASHER	33
6	2362	WASHER, SS	13
7	2552	WELL NUT	13
8	2709	SCREW, SS	13
9	3183	POLYESTER CORD	23.00
10	3775	HT4 INLINE SEAT BOTTOM	1
10	5831	HT6 INLINE SEAT BOTTOM	1
11	3776	HT4 UPHOLSTERED INLINE SEAT TOP	1
11	6837	HT6 UPHOLSTERED INLINE SEAT TOP	1
11	5832	HT6 UPHOLSTERED INLINE SEAT TOP EXTENSION	1
12	1134	FIRE EXTENGUISHER ASSEMBLY	1
13	9235	INLINE UPHOLSTERED SEAT CROSS BRACE	1
14	2058	RIVET	4
15	7461	HT4 TIE BAR	1
15	7813	HT6 TIE BAR	1
16	7462	INLINE SEAT TIE BAR HINGE	1
17	7463	INLINE SEAT FUEL TANK STOP	3
18	7452	SCREW	2
19	2058	RIVET	3
20	6382	65HP BLACK BOX COMPUTER	1
21	2194	P-CLIP	1
22	2077	SCREW	2



DETAIL "B"



DETAIL "C"

CJ 3	UPDATED COMPUTER ATTACHMENT HARDWARE	4 APR, 2022
SIG. NO.	REVISION	DATE
1649 TIPPECANOE STREET TERRE HAUTE, INDIANA, U.S.A. 47807-2394 TELEPHONE (812) 234-1120 FAX (812) 234-3217		
DRAWN:	NAME:	
CJ POEHLIN	INLINE SEATING	
DATE:	NUMBER:	REV.
6 MAY, 2015	17372	3

BILL OF MATERIALS

REF#	PART#	DESCRIPTION	QTY.	OPT.	REF#	PART#	DESCRIPTION	QTY.	OPT.
1	2285	HEX BOLT,SS	3		11	7087	Balancing Washer, 3g	3	✓
2	2302	Lock Washer, SS	3		12	7088	Balancing Washer, 2.2g	0	✓
3	7684	Square Lock Bushing Screw	1		13	7307	12 Blade Fan Z-Hub Plate Male Coated	1	
4	5855	P1-1.1 Taper Lock Bushing	1		14	1570	Fan Pin	12	
5	5855	Hub Bushing Insert Key	1		15	6138	Wingfan Fan Blade, 50 Deg.	12	
6	2740	316 Stainless Steel Nylon-Insert Locknut	9		16	6133	12 Blade Fan Z-Hub Plate Female Coated	1	
7	6921	Washer, SS	18		17	10429	Special Washer, SS	24	
8	2394	18-8 StainLess Steel Nylon-Insert Locknut	24		18	7076	SHCS, SS Balance Bolt	3	✓
9					19	2070	Washer, SS	24	
10					20	6917	SHCS, SS	12	
					21	6150	T Center Boss, Coated	1	
					22	6919	SHCS, SS	9	
					23	6918	SHCS, SS	12	
					24	3188	Locktite Thread Locker, Red	2 ml	

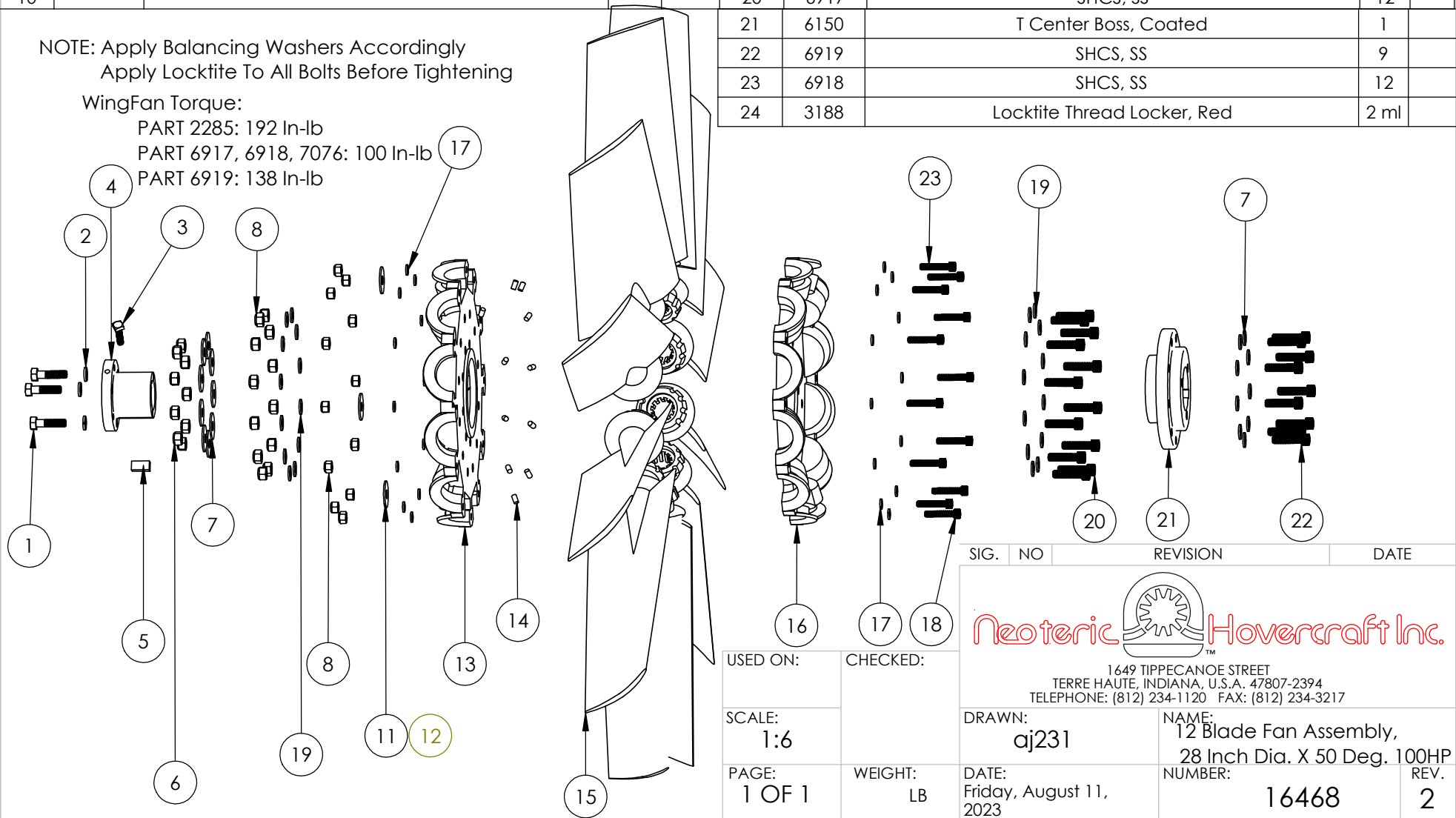
NOTE: Apply Balancing Washers Accordingly
Apply Locktite To All Bolts Before Tightening

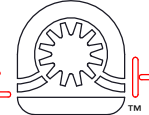
WingFan Torque:

PART 2285: 192 In-lb

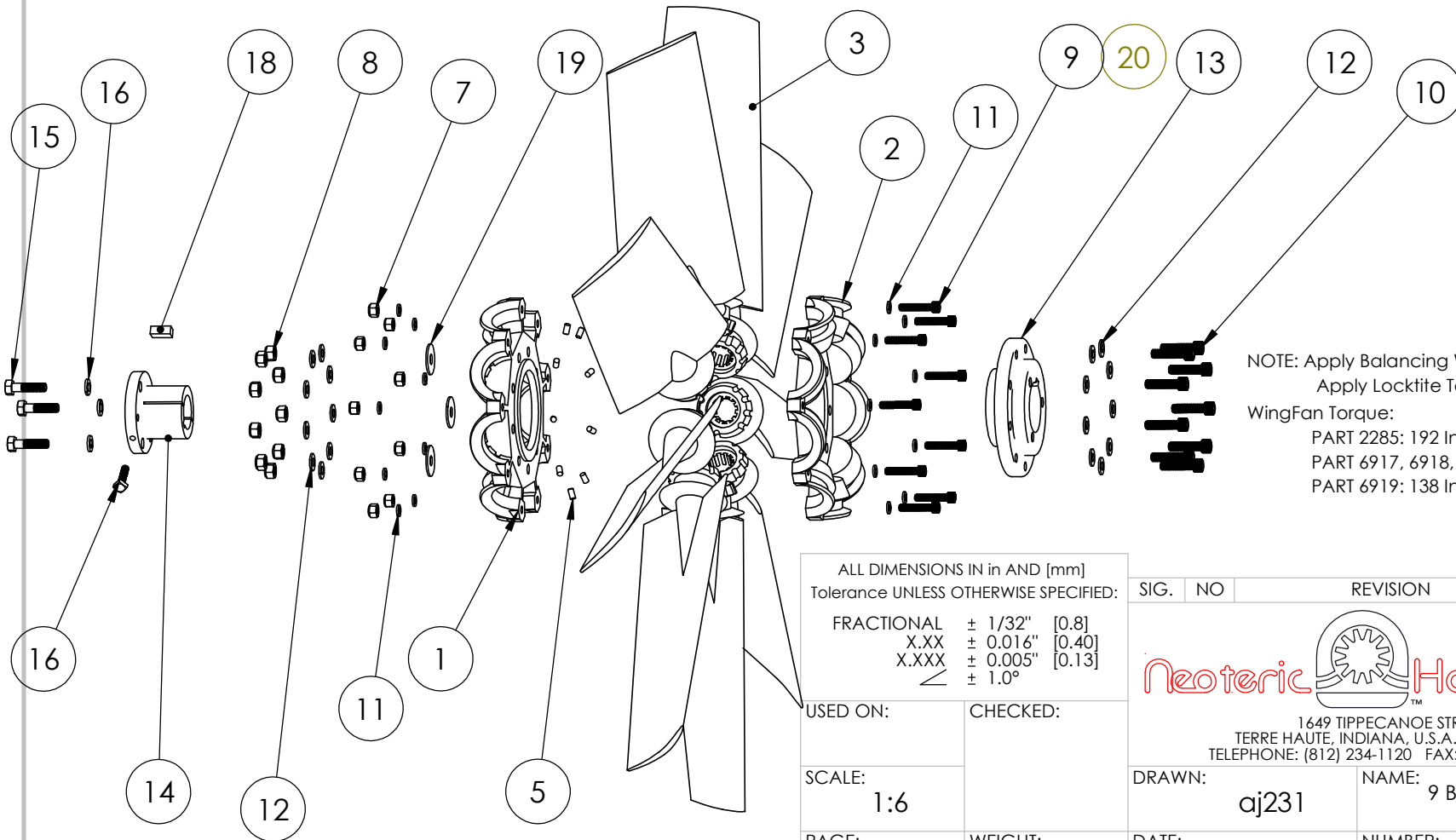
PART 6917, 6918, 7076: 100 In-lb

PART 6919: 138 In-lb




SIG.	NO	REVISION	DATE
 Neoteric Hovercraft Inc.			
1649 TIPPECANOE STREET TERRE HAUTE, INDIANA, U.S.A. 47807-2394 TELEPHONE: (812) 234-1120 FAX: (812) 234-3217			
USED ON:		CHECKED:	
SCALE: 1:6		DRAWN: aj231	
PAGE: 1 OF 1		DATE: Friday, August 11, 2023	
WEIGHT: LB		NAME: 12 Blade Fan Assembly, 28 Inch Dia. X 50 Deg. 100HP	
		NUMBER: 16468	
		REV. 2	

1	10264	Wingfan Blade Z-Hub-Plate Male Coated	1	12	6921	Washer, SS	18	
2	10265	Wingfan Blade Z-Hub-Plate Female Coated	1	13	6150	T center Boss, treated	1	
3	6137	Wingfan Fan Blade	9	14	5727	P1-1.1 Taper Lock Bushing	1	
5	1570	Fan Pin	9	15	2285	Hex Bolt, SS	3	
7	2394	18-8 Stainless Steel Nylon-Insert Locknut	9	16	2302	Lock Washer, SS	3	
8	2740	316 Stainless Steel Nylon-Insert Locknut	9	17	7684	Sq Hd Set Screw	1	
9	6917	SHCS, SS	9	18	5855	Hub Bushing Insert Key	1	
10	6919	SHCS, SS	9	19	7087	Balancing Washer, 3g	3	✓
11	10429	Special Washer, SS	18	20	7076	SHCS, SS Balance Bolt	3	✓

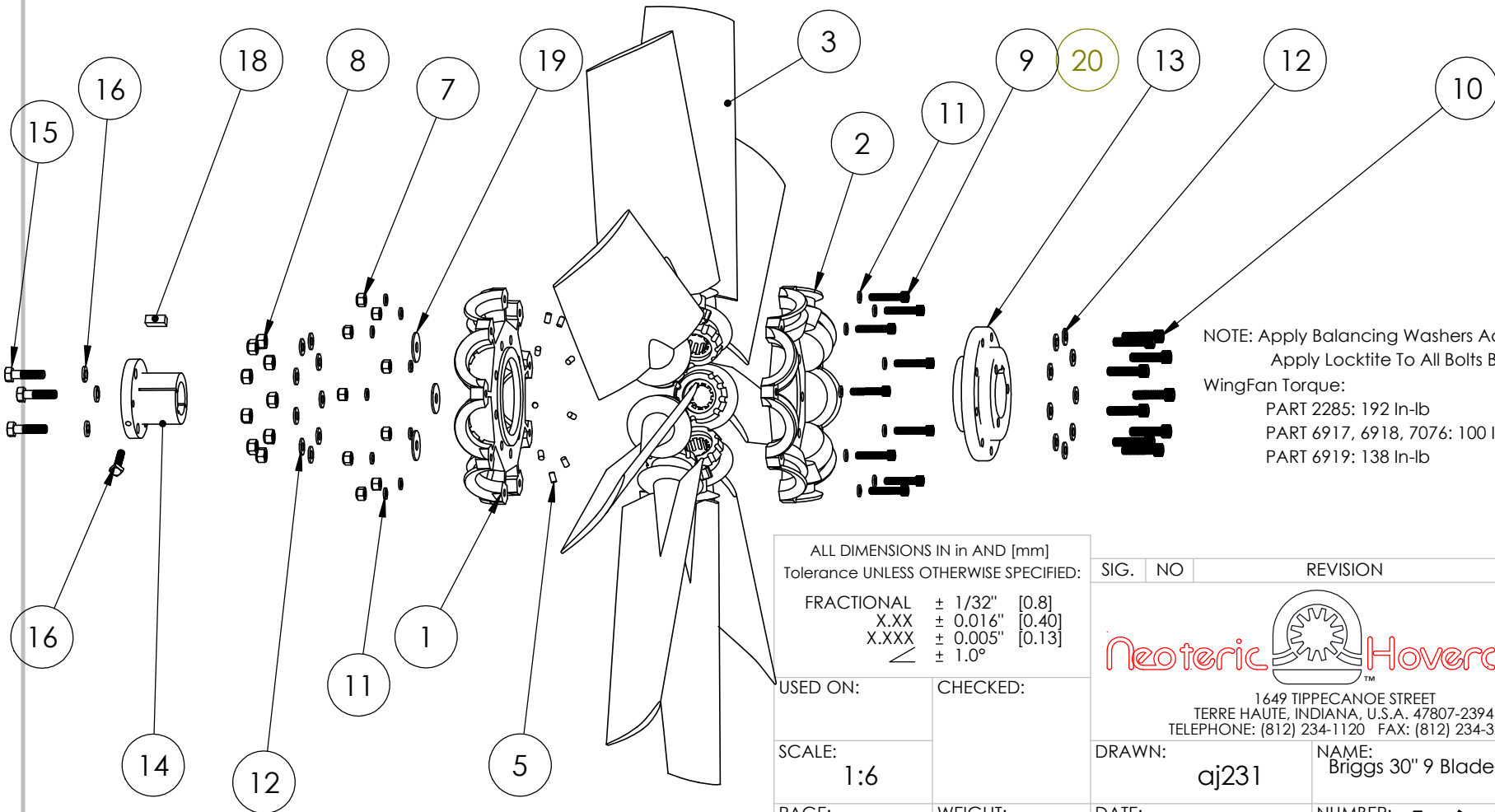


NOTE: Apply Balancing Washers Accordingly
 Apply Locktite To All Bolts Before Tightening
 WingFan Torque:
 PART 2285: 192 In-lb
 PART 6917, 6918, 7076: 100 In-lb
 PART 6919: 138 In-lb

ALL DIMENSIONS IN in AND [mm]	
Tolerance UNLESS OTHERWISE SPECIFIED:	
FRACTIONAL	± 1/32" [0.8]
X.XX	± 0.016" [0.40]
X.XXX	± 0.005" [0.13]
✓	± 1.0°
USED ON:	CHECKED:
SCALE: 1:6	
PAGE: 1 OF 1	WEIGHT: LB


SIG.	NO	REVISION	DATE
			
1649 TIPPECANOE STREET TERRE HAUTE, INDIANA, U.S.A. 47807-2394 TELEPHONE: (812) 234-1120 FAX: (812) 234-3217			
DRAWN: aj231		NAME: 9 Blade Fan Assembly 50 Deg	
DATE: Thursday, August 10, 2023		NUMBER: 16469 REV.	

1	10264	Briggs Blade Z-Hub-Plate Male Coated	1	12	6921	Washer, SS	18	
2	10265	Briggs Blade Z-Hub-Plate Female Coated	1	13	6150	Briggs 30" T center Boss, treated	1	
3	10403	Briggs 30 in. Diameter Fan Blade	9	14	5855	P1-1.25 Taper Lock Bushing	1	
5	1570	Fan Pin	9	15	2285	Hex Bolt, SS	3	
7	2394	18-8 Stainless Steel Nylon-Insert Locknut	9	16	2302	Lock Washer, SS	3	
8	2740	316 Stainless Steel Nylon-Insert Locknut	9	17	7684	Sq Hd Set Screw	1	
9	6917	SHCS, SS	9	18	5855	Hub Bushing Insert Key	1	
10	6919	SHCS, SS	9	19	7087	Balancing Washer, 3g	3	✓
11	10429	Special Washer, SS	18	20	7076	SHCS, SS Balance Bolt	3	✓



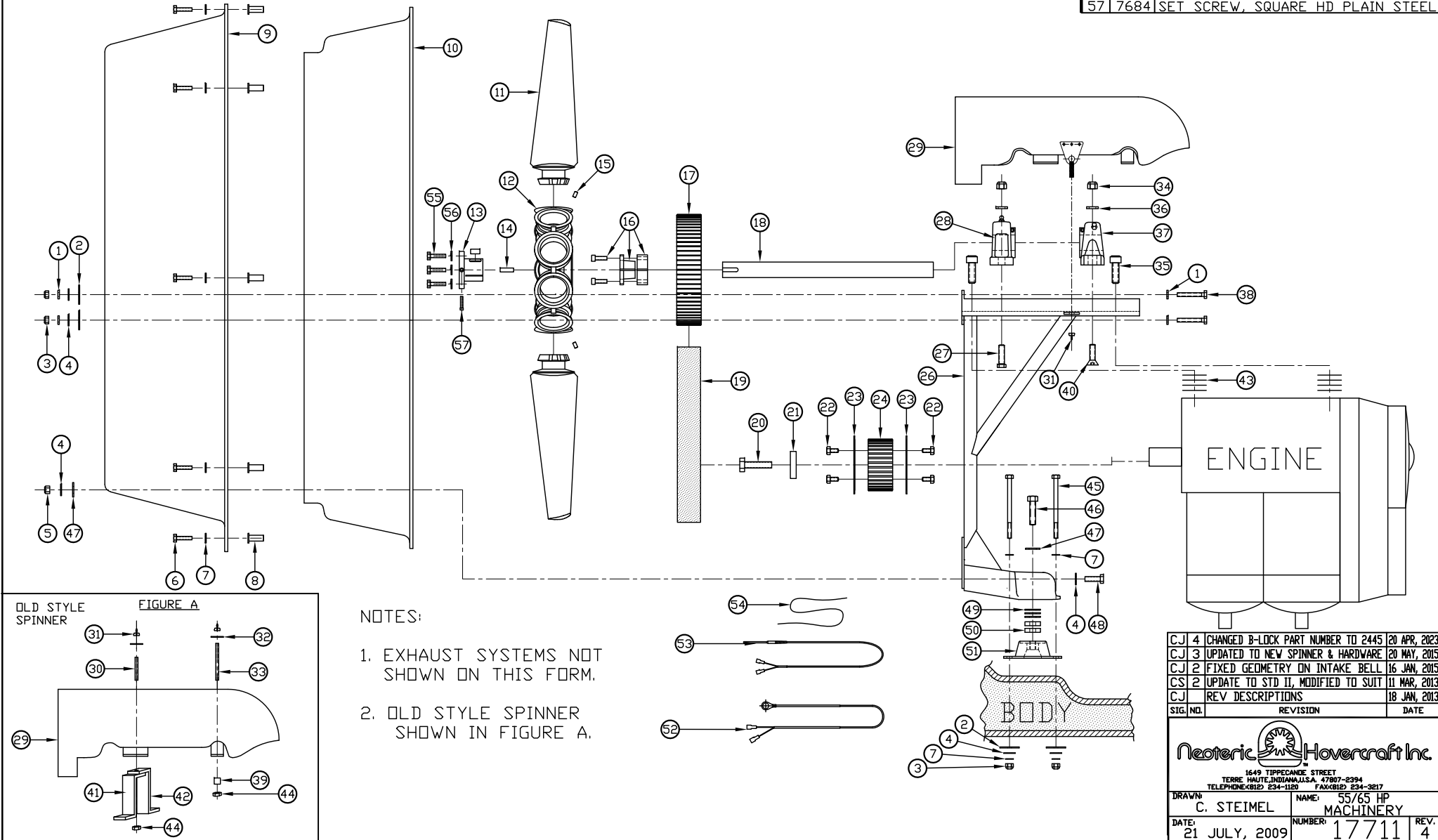
NOTE: Apply Balancing Washers Accordingly
 Apply Locktite To All Bolts Before Tightening
 WingFan Torque:
 PART 2285: 192 In-lb
 PART 6917, 6918, 7076: 100 In-lb
 PART 6919: 138 In-lb

ALL DIMENSIONS IN in AND [mm]	
Tolerance UNLESS OTHERWISE SPECIFIED:	
FRACTIONAL	± 1/32" [0.8]
X.XX	± 0.016" [0.40]
X.XXX	± 0.005" [0.13]
✓	± 1.0°
USED ON:	CHECKED:
SCALE: 1:6	
PAGE: 1 OF 1	WEIGHT: LB

SIG.	NO	REVISION	DATE
 Neoteric Hovercraft Inc.			
1649 TIPPECANOE STREET TERRE HAUTE, INDIANA, U.S.A. 47807-2394 TELEPHONE: (812) 234-1120 FAX: (812) 234-3217			
DRAWN: aj231		NAME: Briggs 30" 9 Blade Fan Assembly 37.5 Deg	
DATE: Thursday, August 10, 2023		NUMBER: 16470 REV.	

PARTS LIST

REF.	PART #	DESCRIPTION	REF.	PART #	DESCRIPTION	REF.	PART #	DESCRIPTION	REF.	PART #	DESCRIPTION
1	2360	WASHER	16	2445	LOCK BUSHING	28	1923	PILLOW BLOCK BEARING	43	2305	SHIM WASHER 0.030 THICK
2	2472	WASHER	17	6363	HT4 72-TOOTH SPROCKET	29	5222	HT4 SPINNER	43	2760	SHIM WASHER 0.005 THICK
3	2394	NUT	17	5663	HT4 POLY GRIP 72-TOOTH SPROCKET	29	6612	NEW SPINNER WITH LUGS, ASSY	43	2761	SHIM WASHER 0.010 THICK
4	2746	WASHER	18	1922	HT4 FAN SHAFT	30	3513	HT4 SPINNER BOLT, SHORT	43	2762	SHIM WASHER 0.020 THICK
5	2740	LOCK NUT	19	6365	HT4 POLY CHAIN BELT	31	3661	MODIFIED WING NUT	44	2451	NUT
6	2284	BOLT	19	1870	HT4 POLY GRIP BELT	32	2387	FENDER WASHER	45	2471	SCREW
7	2070	WASHER	20	2411	BOLT	33	5226	SPINNER BOLT LONG	46	2475	BOLT
8	5604	RIVET NUT	21	3987	SPROCKET WASHER	34	2468	NUT	47	2474	WASHER
9	3894	HT THRUST FLANGE	22	2230	BOLT	35	2413	CAP SCREW, SOCKET HD	48	2238	BOLT
10	1996	HT4 INTAKE BELL	23	5385	HT LOWER SPROCKET FLANGE	36	2389	WASHER, EXTRA THICK	49	2473	WASHER
11	6137	HT4 FAN BLADE	24	6364	HT4 POLY CHAIN 34 TOOTH SPROCKET 1.58" WIDE	37	5907	PILLOW BLOCK BEARING	50	1893	PLASTIC SHIM VIBRATION MOUNT
12	6091	HT4 9-BLADE FAN ASSY 45 DEG	24	5406	HT4 POLY GRIP 34 TOOTH SPROCKET 2.087" WIDE	38	2274	BOLT	51	1519	VIBRATION MOUNT
12	6141	HT4 9-BLADE FAN ASSY 50 DEG	26	5501	ENGINE MOUNT, 65HP CARB. PORT	39	5223	HT4 SPINNER, FRONT CLAMP PLATE	52	7231	CHT TEMP SENSOR
13	5727	TAPER LOCK BUSHING	26	3386	ENGINE MOUNT, 55/65HP PORT CARB.	40	2415	CAP SCREW, FLAT SOCKET	53	7719	EGT TEMP SENSOR
14	6572	HT4 FAN SHAFT KEY	26	5404	ENGINE MOUNT, 55/65HP CARB. STARBOARD	41	3999	HT4 SPINNER, STAR LEG MOUNT	54	3023	SAFETY WIRE
15	1570	FAN PIN	27	2272	BOLT	42	3998	HT4 SPINNER, PORT LEG MOUNT	55	2285	HEX BOLT SS
									56	2302	SPLIT LOCK WASHER, SS
									57	7684	SET SCREW, SQUARE HD PLAIN STEEL



NOTES:

1. EXHAUST SYSTEMS NOT SHOWN ON THIS FORM.
2. OLD STYLE SPINNER SHOWN IN FIGURE A.

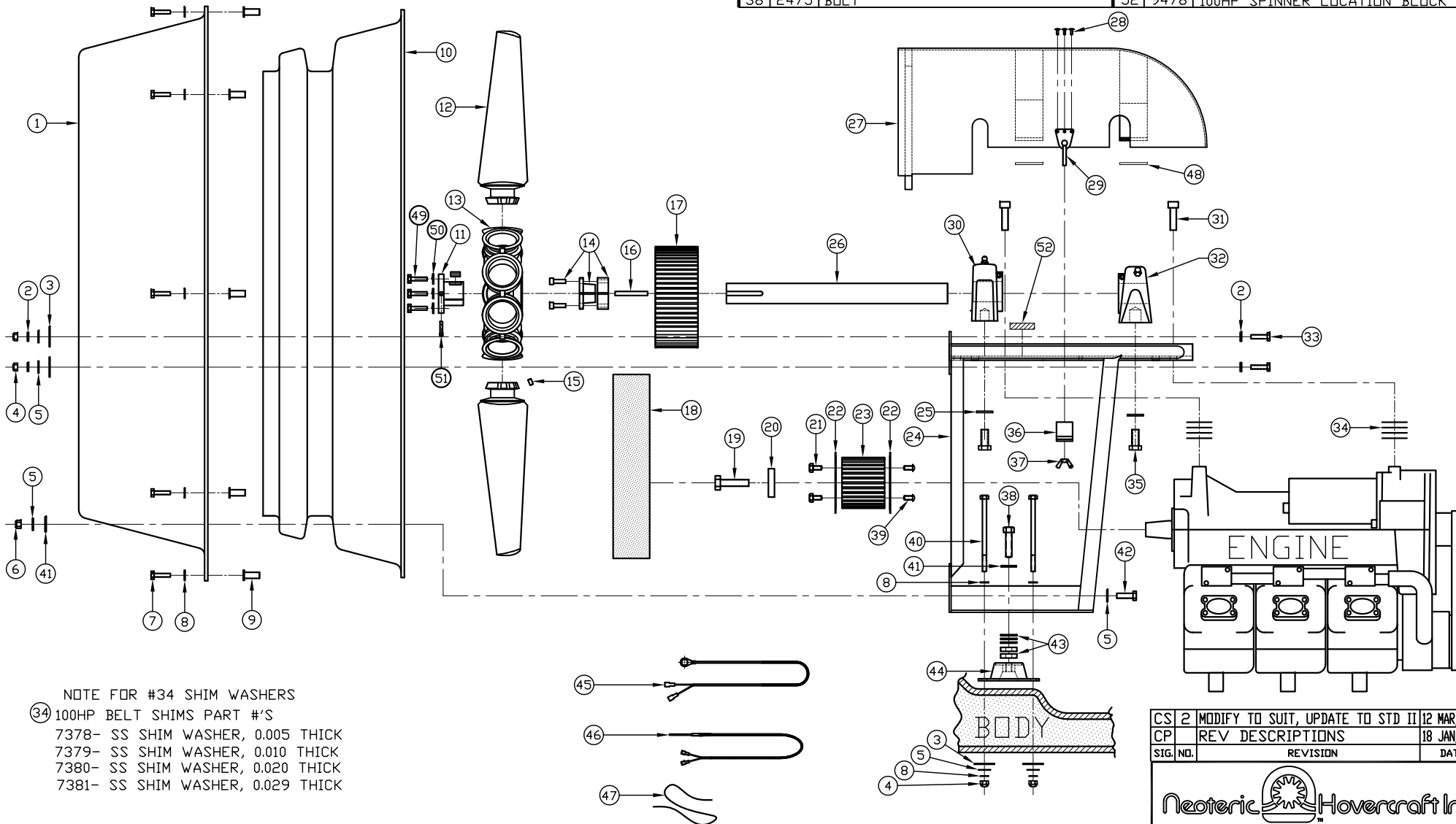
CJ 4	CHANGED 8-LOCK PART NUMBER TO 2445	20 APR, 2023
CJ 3	UPDATED TO NEW SPINNER & HARDWARE	20 MAY, 2015
CJ 2	FIXED GEOMETRY ON INTAKE BELL	16 JAN, 2015
CS 2	UPDATE TO STD II, MODIFIED TO SUIT	11 MAR, 2013
CJ	REV DESCRIPTIONS	18 JAN, 2013
SIG. NO.	REVISION	DATE

1649 TIPPECANOE STREET
 TERRE HAUTE, INDIANA, U.S.A. 47607-2394
 TELEPHONE (812) 234-1120 FAX (812) 234-3217

DRAWN:	C. STEIMEL	NAME:	55/65 HP MACHINERY
DATE:	21 JULY, 2009	NUMBER:	17711
		REV.	4

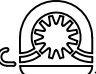
PARTS LIST

REF.	PART #	DESCRIPTION	REF.	PART #	DESCRIPTION	REF.	PART #	DESCRIPTION
1	3894	HT THRUST FLANGE	14	5625	LOCK BUSHING	25	1716	WASHER
2	2360	WASHER	15	1570	FAN PIN	26	5627	HT6 FAN SHAFT
3	2472	WASHER	16	6388	HT6 FAN SHAFT KEY	27	5675	HT6 SPINNER
4	2394	LOCK NUT	17	5809	HT6 63-TOOTH SPROCKET	28	2171	SOLID RIVET
5	2746	WASHER	18	5696	100HP DRIVE BELT	29	5933	HT6 SPINNER BOLT
6	2740	LOCK NUT	19	2411	BOLT	30	5866	PILLOW BLOCK BEARING
7	2284	BOLT	20	3987	SPROCKET WASHER	31	2673	CAP SCREW, SOCKET HD
8	2070	WASHER	21	2230	BOLT	32	5865	PILLOW BLOCK BEARING
9	7874	RIVET NUT	22	5385	HT LOWER SPROCKET FLANGE	33	2006	BOLT
10	6215	HT6 INTAKE BELL	23	6516	HT6 32-TOOTH SPROCKET, SS	34	XXXX	SEE NOTE FOR #34
11	5855	TAPER LOCK BUSHING	23	5810	HT6 34-TOOTH SPROCKET(OLD OPTION)	35	2478	BOLT
12	6138	HT6 FAN BLADE	24	5835	ENGINE MOUNT, 100HP PORT	36	5923	HT6 SPINNER CLAMP BRACKET
13	6143	100HP 12 BLADE FAN ASSY	24	5834	ENGINE MOUNT, 100HP STARBOARD	37	3661	WING NUT
						38	2475	BOLT
						39	2710	SCREW
						40	2471	SCREW
						41	2474	WASHER
						42	2238	BOLT
						43	3639	VIBRATION MOUNT SHIM KIT
						44	1519	VIBRATION MOUNT
						45	7231	CHT TEMP SENSOR
						46	7719	EGT TEMP SENSOR
						47	3023	SAFETY WIRE
						48	9417	HT6 SPINNER FEET PADS
						49	2285	HEX BOLT, SS
						50	2302	SPLIT LOCK WASHER, SS
						51	7684	SET SCREW SQ HD PLAIN STEEL
						52	9478	100HP SPINNER LOCATION BLOCK



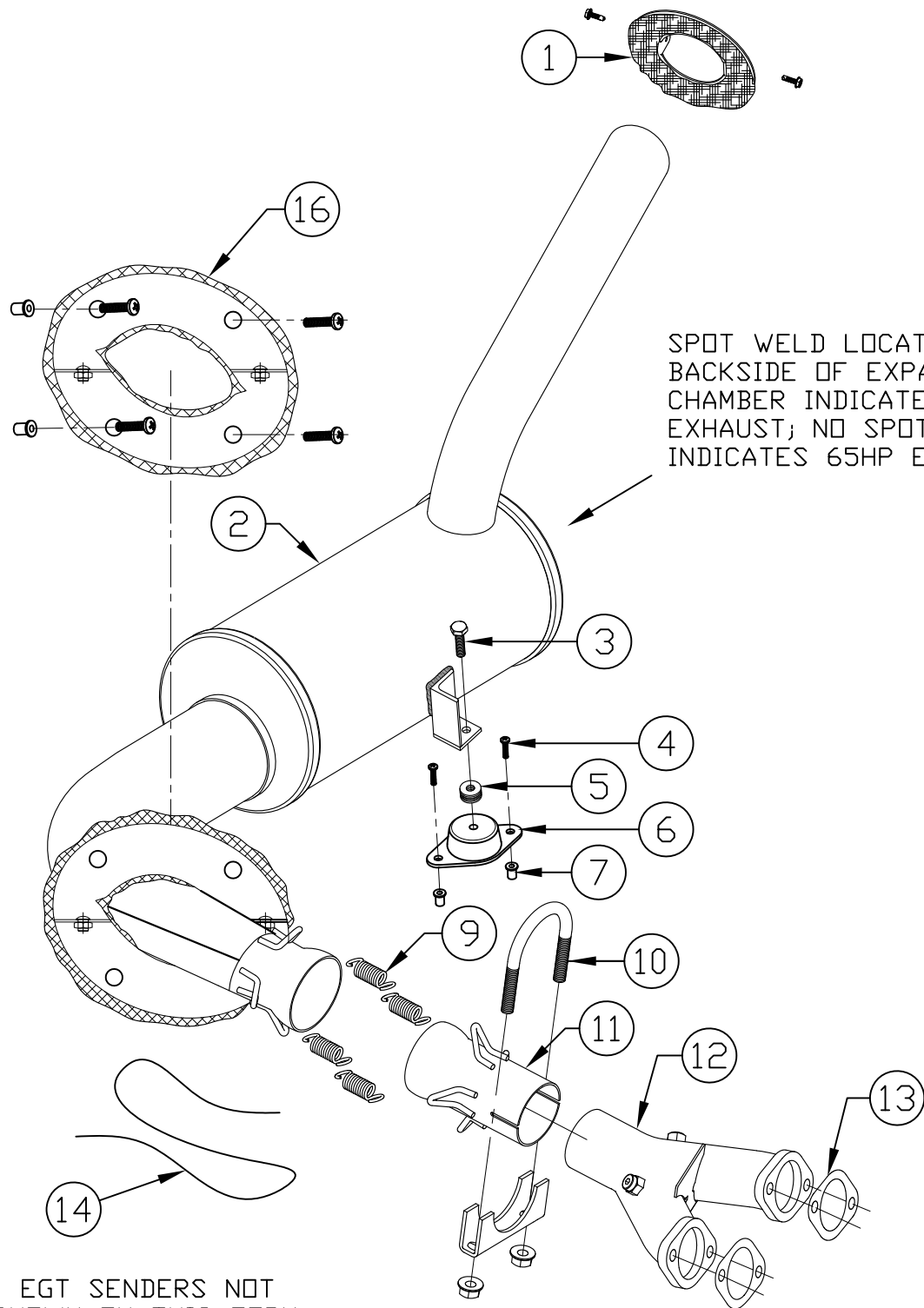
EXHAUST & COOLING SYSTEMS
 NOT SHOWN ON THIS FORM

CS	2	MODIFY TO SUIT, UPDATE TO STD II	12 MAR, 2013
CP		REV DESCRIPTIONS	18 JAN, 2013
SIG. NO.		REVISION	DATE


Neoteric Hovercraft Inc.

1649 TIPPECANOE STREET
 TERRE HAUTE, INDIANA, U.S.A. 47807-2394
 TELEPHONE (812) 234-1120 FAX (812) 234-3217

DRAWN: J. BARGO	NAME: 100HP MACHINERY
DATE: 21 JULY, 2009	NUMBER: 17712 REV. 2

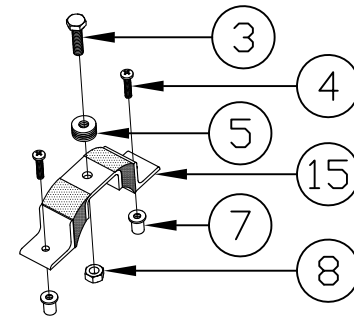


SPOT WELD LOCATED ON
BACKSIDE OF EXPANSION
CHAMBER INDICATES 55HP
EXHAUST; NO SPOT WELD
INDICATES 65HP EXHAUST

EGT SENDERS NOT
SHOWN ON THIS FORM.

REF. PART #		BILL OF MATERIAL DESCRIPTION
1	5408	EXHAUST, OUTLET FLANGE ASSY
2	5410	65HP EXHAUST
2	5479	55HP EXHAUST
3	2284	BOLT (OLD STYLE EXHAUST MOUNT)
3	2285	BOLT
4	2437	SCREW
5	2070	WASHER (OLD STYLE EXHAUST MOUNT)
5	2746	WASHER
6	9083	EXHAUST VIBRATION MOUNT
7	2551	WELL NUT
8	2451	NUT
9	5421	EXHAUST SPRING
10	5862	EXHAUST CLAMP
11	5546	55/65HP EXHAUST, STRAIGHT CONNECTOR
12	5548	65HP EXHAUST, Y-PIPE
12	5547	55HP EXHAUST, Y-PIPE
13	5245	55/65HP EXHAUST, HEADER GASKET
14	3023	SAFTEY WIRE
15	5613	EXHAUST VIBRATION MOUNT (OLD STYLE)
16	9133	55/65HP BOLT ON EXTERNAL EXHAUST FLANGE ASSY

OLD STYLE EXHAUST MOUNT
(DISCONTINUED Q3 2014)

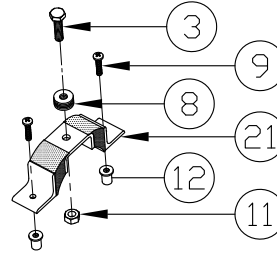


CJ	5	CORRECTED BOLT FOR RUBBER MOUNT	10 NOV, 2023
CJ	4	ADDED NEW EXHAUST FLANGE ASSY	3 APR, 2015
CS	3	UPDATE TO NEW MOUNT	11 NOV, 2014
CS	2	UPDATE TO STD II	12 MAR, 2013
CP		REV DESCRIPTIONS	18 JAN, 2013
SIG. NO.		REVISION	DATE

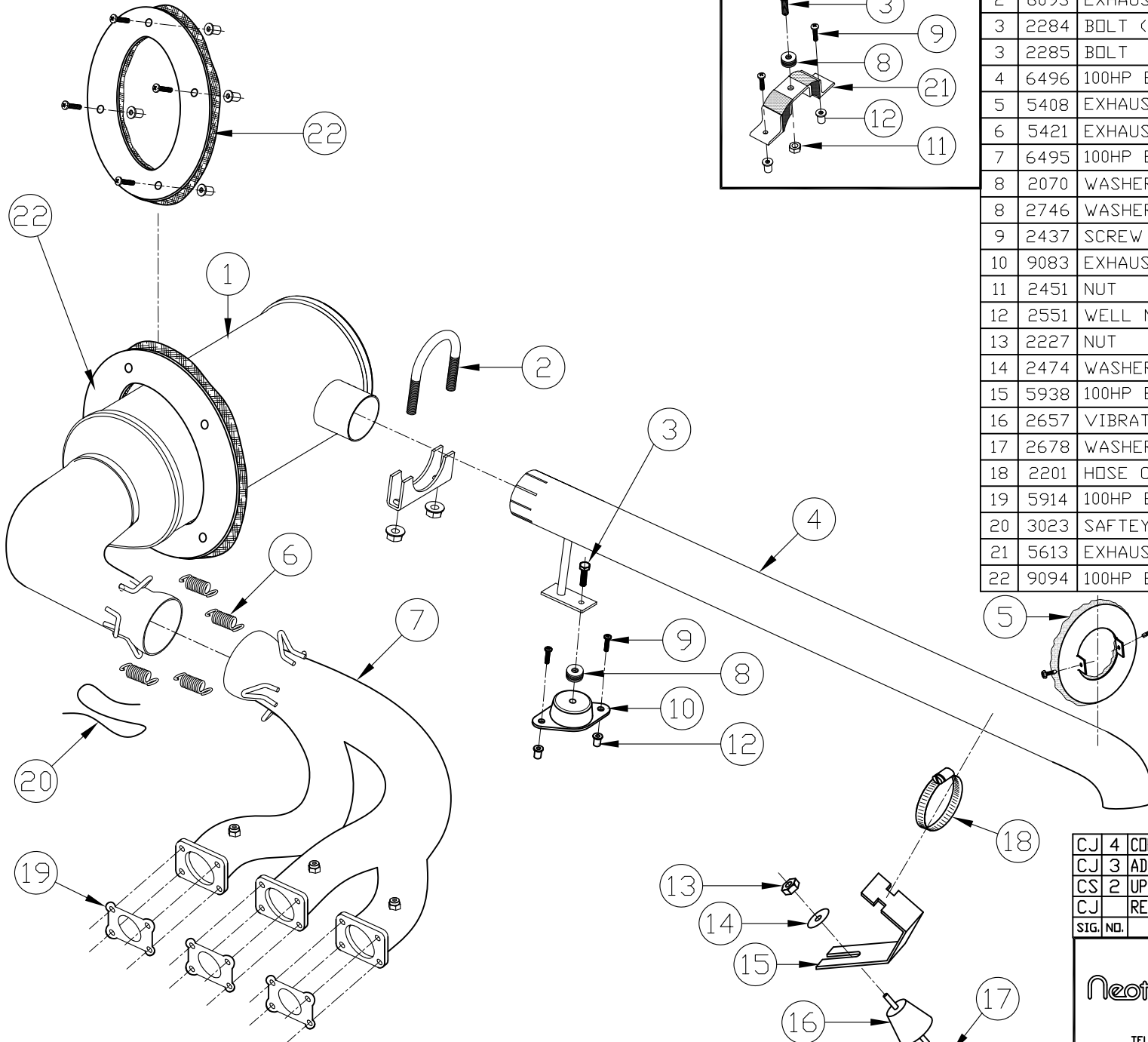
Neoteric  Hovercraft Inc.
1649 TIPPECANOE STREET
TERRE HAUTE, INDIANA, U.S.A. 47807-2394
TELEPHONE: (812) 234-1120 FAX: (812) 234-3217

DRAWN:	J. BARGO	NAME:	55/65 HP HIRTH EXHAUST SYSTEM
DATE:	22 JUL, 2009	NUMBER:	17713
		REV.	5

OLD STYLE EXHAUST MOUNT
(DISCONTINUED Q3 2014)



BILL OF MATERIAL		
REF.	PART #	DESCRIPTION
1	6373	100HP EXHAUST, EXPANSION CHAMBER
2	6093	EXHAUST CLAMP
3	2284	BOLT (OLD STYLE EXHAUST MOUNT)
3	2285	BOLT
4	6496	100HP EXHAUST, TAILPIPE
5	5408	EXHAUST, OUTLET FLANGE ASSY
6	5421	EXHAUST SPRING
7	6495	100HP EXHAUST, HEADER PIPE
8	2070	WASHER (OLD STYLE EXHAUST MOUNT)
8	2746	WASHER
9	2437	SCREW
10	9083	EXHAUST VIBRATION MOUNT (NEW STYLE)
11	2451	NUT
12	2551	WELL NUT
13	2227	NUT
14	2474	WASHER
15	5938	100HP EXHAUST, REAR SUPPORT
16	2657	VIBRATION MOUNT
17	2678	WASHER
18	2201	HOSE CLAMP
19	5914	100HP EXHAUST, HEADER GASKET
20	3023	SAFETY WIRE
21	5613	EXHAUST VIBRATION MOUNT (OLD STYLE)
22	9094	100HP EXTERNAL EXHAUST FLANGE ASSY

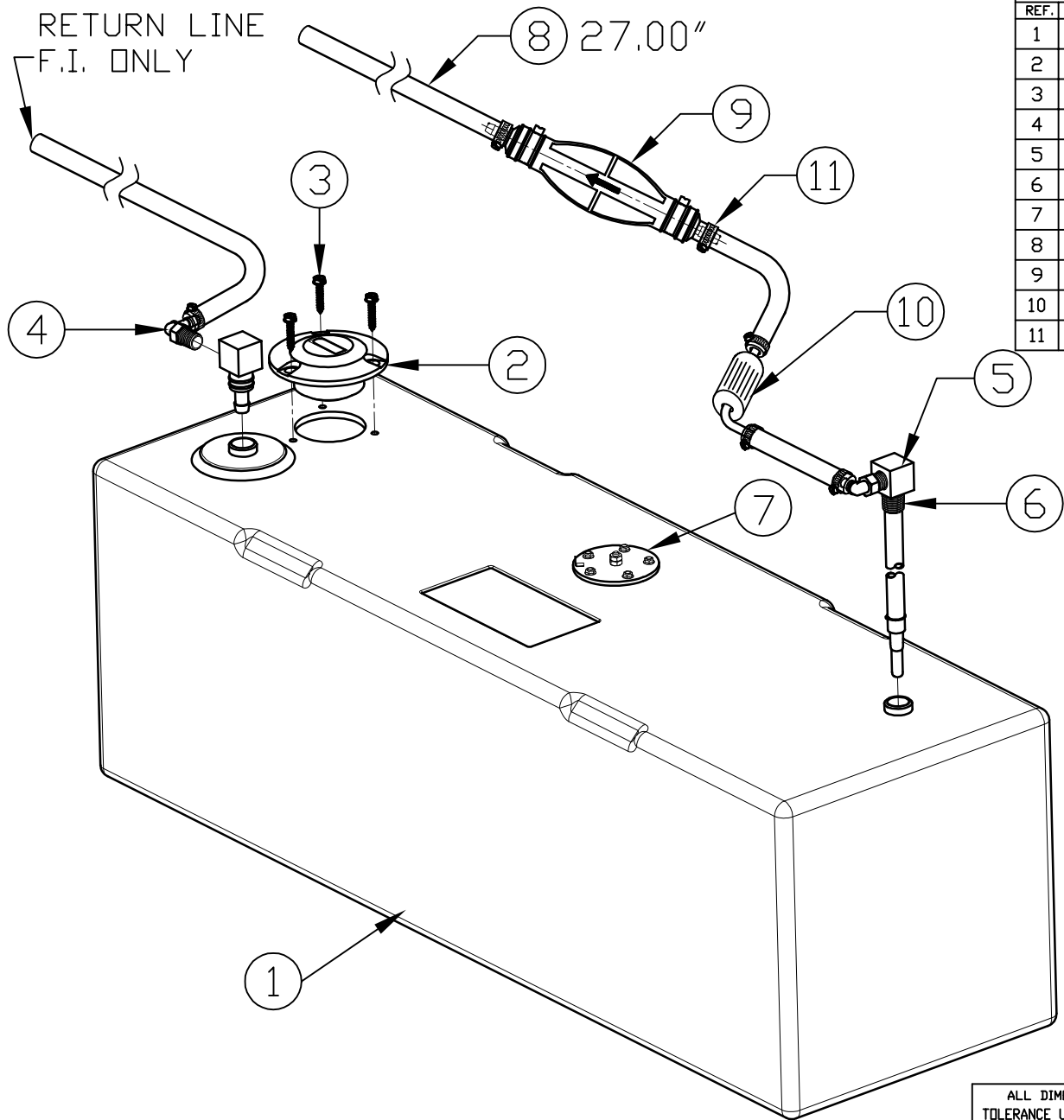


CJ	4	CORRECTED BOLT FOR RUBBER MOUNT	13 NOV, 2023
CJ	3	ADDED NEW STYLE EXHAUST FLANGE	20 JAN, 2015
CS	2	UPDATE TO STD II, ADD NEW MOUNT	11 NOV, 2013
CJ		REVISED DESCRIPTIONS	18 JAN, 2013
SIG. NO.		REVISION	DATE


Neoteric Hovercraft Inc.
 1649 TIPPECANOE STREET
 TERRE HAUTE, INDIANA, U.S.A. 47807-2394
 TELEPHONE: (812) 234-1120 FAX: (812) 234-3217

DRAWN:	C. STEIMEL	NAME:	100HP EXHAUST
DATE:	06 JUL, 2009	NUMBER:	17714
		REV.:	4

E.G.T SENDERS NOT SHOWN ON THIS FORM



BILL OF MATERIAL			
REF.	PART #	DESCRIPTION	QTY.
1	7063	13 US GALLON PLASTIC FUEL TANK	1
2	7532	SEACHOICE 1-1/2 IN NYLON FUEL FILL NECK, MODIFIED	1
3	7763	SCREW	1
4	5316	1/4IN 90 DEG ELBOW PIPE CONNECTOR NPT18	1
5	7743	SXS PLASTIC TANK PICKUP ASSY	1
6	2989	PTFE TAPE	6
7	7229	MODIFIED FUEL SENDER 13 GAL PLASTIC TANK	1
8	3000	FUEL HOSE	33.5
9	1301	PRIMER BULB	1
10	1302	FUEL FILTER	1
11	2203	HOSE CLAMP	8

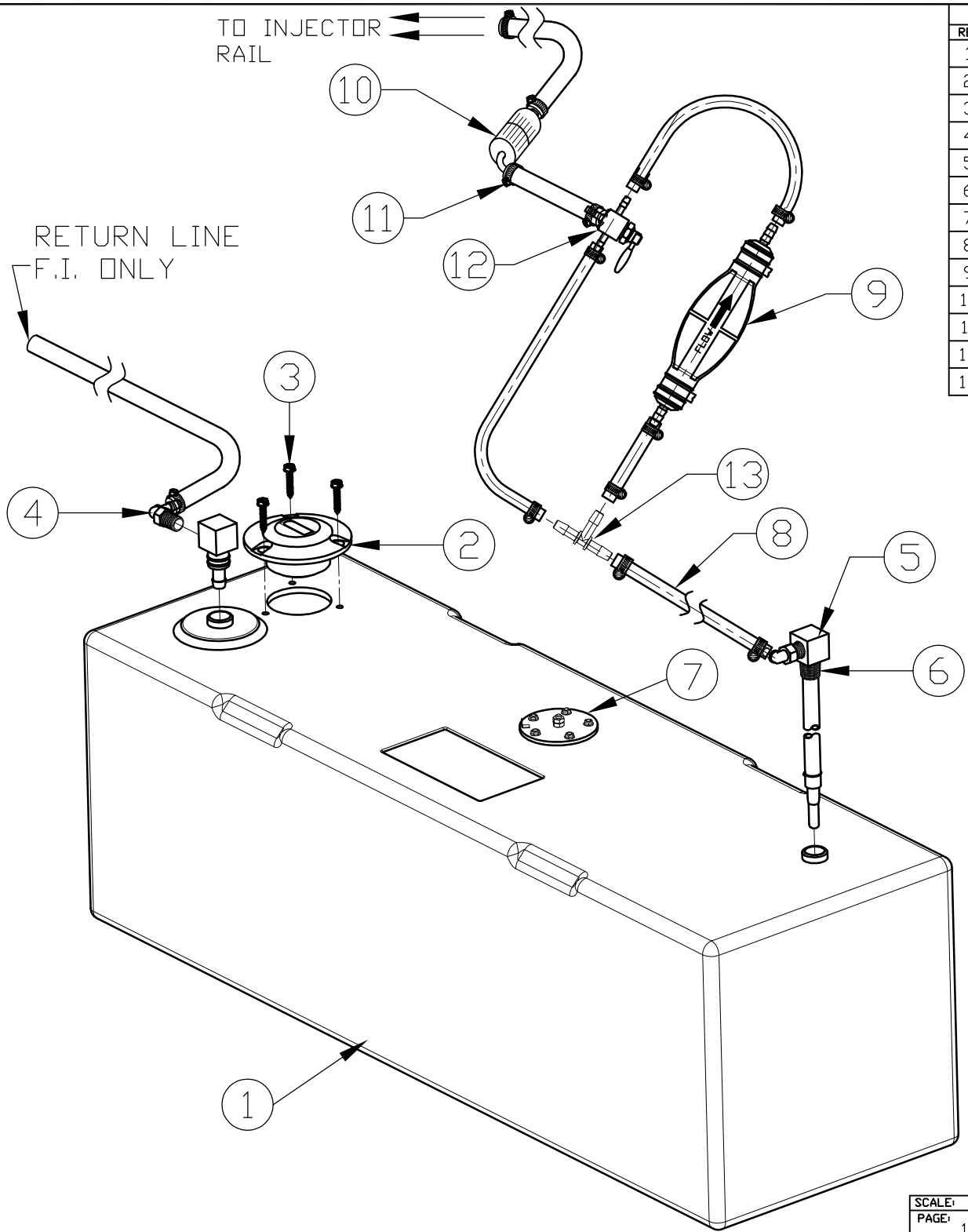
NOTE:

- 1) RETURN LINE FOR FUEL INJECTED SYSTEM ONLY

ALL DIMENSIONS IN IN AND [mm]
 TOLERANCE UNLESS OTHERWISE SPECIFIED:
 FRACTIONAL ± 1/32" [0.8]
 X.XX ± 0.016" [0.40]
 X.XXX ± 0.005" [0.13]
 X.X° ± 0.10°

# REQUIRED:	CHECKED:
SCALE:	WEIGHT:
PAGE: 1 OF 1	

SIG. NO.	REVISION	DATE
1649 TIPPECANOE STREET TERRE HAUTE, INDIANA, U.S.A. 47807-2394 TELEPHONE (812) 234-1120 FAX (812) 234-3217		
DRAWN: CJ POEHLEIN	NAME: 13 GALLON PLASTIC FUEL TANK ASSEMBLY	
DATE: 20 NOV, 2014	NUMBER: 17743	REV. 3



BILL OF MATERIAL			
REF.	PART #	DESCRIPTION	QTY.
1	7063	13 US GALLON PLASTIC FUEL TANK	1
2	7532	FUEL FILL NECK, MODIFIED	1
3	7763	SCREW	1
4	5316	1/4IN 90 DEG ELBOW PIPE CONNECTOR NPT18	1
5	7743	SXS PLASTIC TANK PICKUP ASSY	1
6	2989	PTFE TAPE	6
7	7229	MODIFIED FUEL SENDER 13 GAL PLASTIC TANK	1
8	3000	FUEL HOSE	33.5
9	1301	PRIMER BULB	1
10	1302	FUEL FILTER	1
11	2203	HOSE CLAMP	13
12	5899	3-WAY VALVE	1
13	5427	FUEL TEE FITTING	1

NOTE:

1) RETURN LINE FOR FUEL INJECTED SYSTEM ONLY

SIG. NO.	REVISION	DATE
----------	----------	------

Neoteric  Hovercraft Inc.

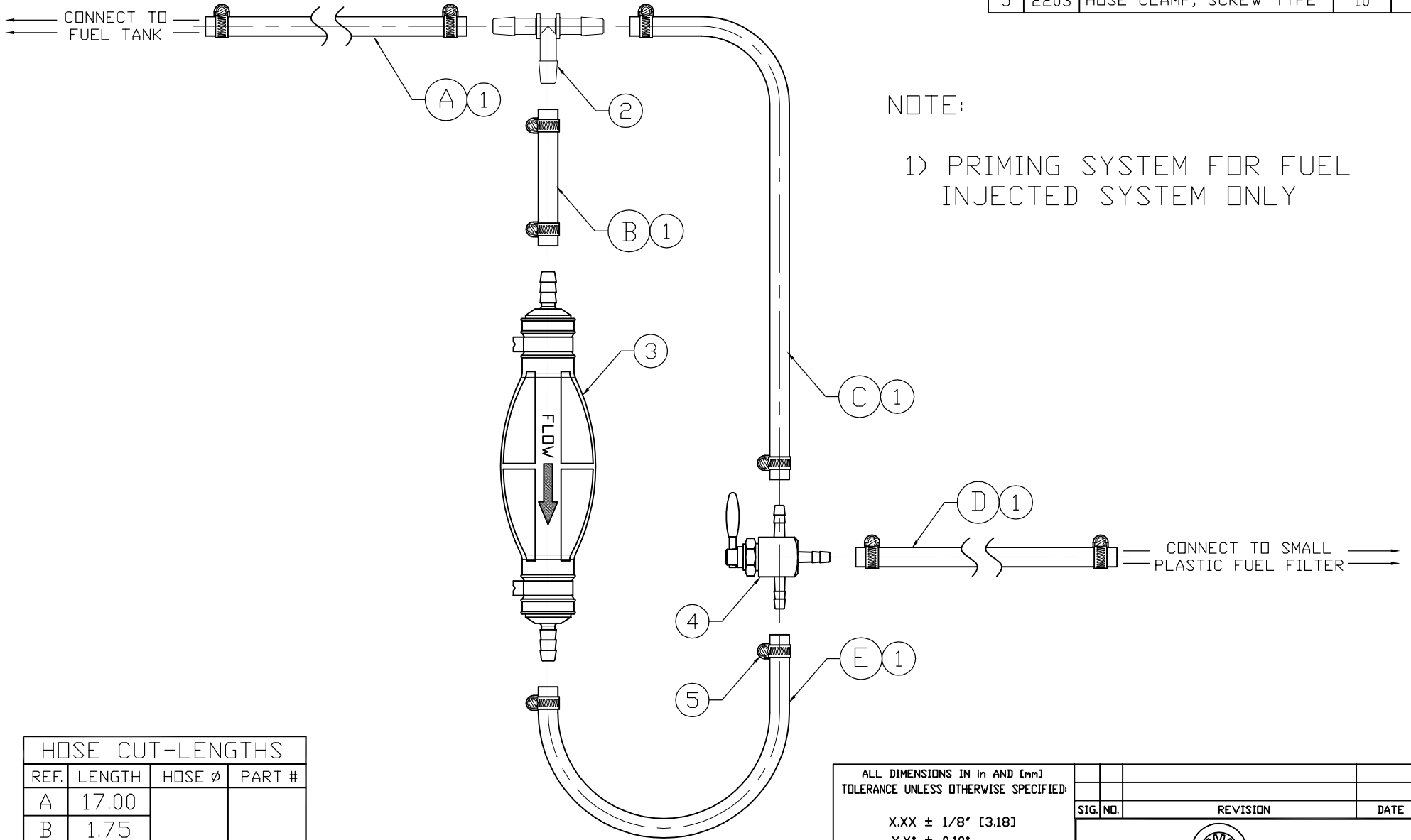
1649 TIPPECANOE STREET
 TERRE HAUTE, INDIANA, U.S.A. 47807-2394
 TELEPHONE (812) 234-1120 FAX (812) 234-3217

DRAWN: CJ POEHLEIN	NAME: 13 GALLON PLASTIC FUEL TANK ASSEMBLY F.I.	REV. 3
DATE: 20 NOV, 2014	NUMBER: 17746	

SCALE:	PAGE:
	1 OF 1

CHECKED:	WEIGHT:

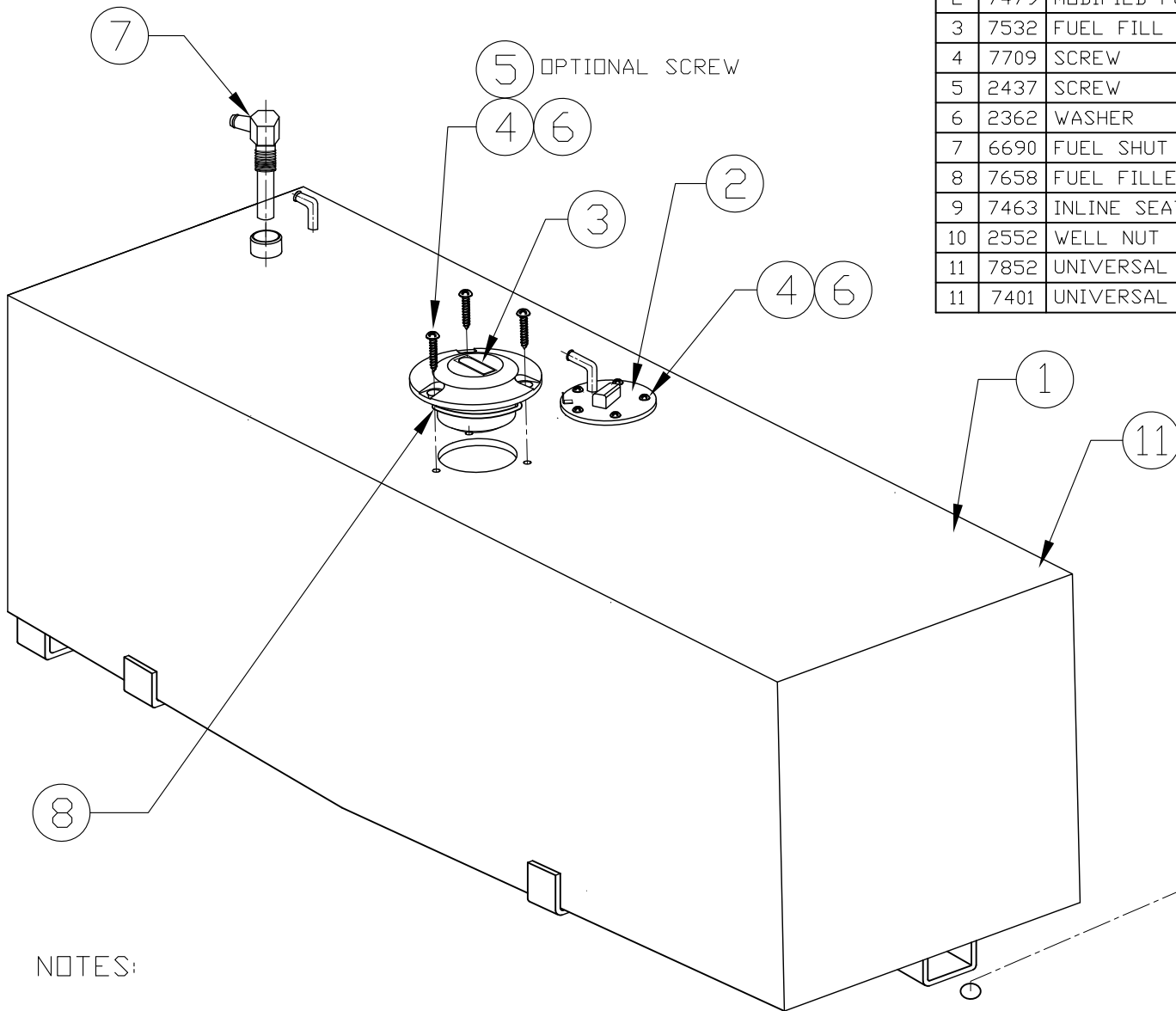
BILL OF MATERIAL				
REF.	PART #	DESCRIPTION	QTY.	OPT.
1	3000	1/4 FUEL HOSE	52.75	
2	5427	FUEL TEE FITTING	1	
3	1301	HAND PRIMER BULB	1	
4	5899	3-WAY VALVE BARB 1/4"	1	
5	2203	HOSE CLAMP, SCREW TYPE	10	



HOSE CUT-LENGTHS			
REF.	LENGTH	HOSE Ø	PART #
A	17.00	Ø1/4	3000
B	1.75		
C	10.00		
D	7.00		
E	17.00		

ALL DIMENSIONS IN In AND [mm]
TOLERANCE UNLESS OTHERWISE SPECIFIED:
X.XX ± 1/8" [3.18]
X.X* ± 0.10*

USED ON: 7854	CHECKED:	SIG. NO.	REVISION	DATE		
SCALE:		 1649 TIPPECANOE STREET TERRE HAUTE, INDIANA, U.S.A. 47807-2394 TELEPHONE: (812) 234-1120 FAX: (812) 234-3217				
PAGE: 1 OF 1	WEIGHT:				DRAWN: CJ POEHLIN	NAME: HT 13 GAL UNIVERSAL TANK FI PRIMING SYSTEM
					DATE: 3 MAY, 2016	NUMBER: 16672



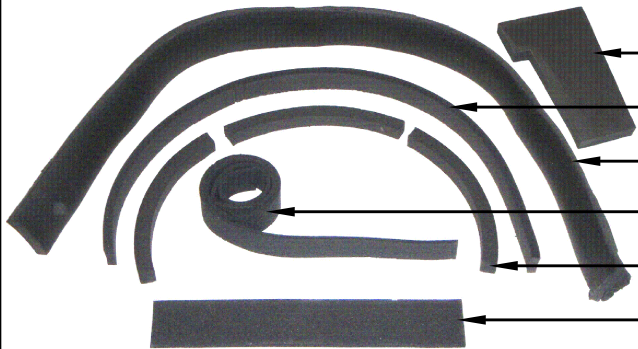
BILL OF MATERIAL				
REF.	PART #	DESCRIPTION	QTY.	OPT.
1	7412	UNIVERSAL 13GAL AL FUEL TANK, COATED	1	
2	7479	MODIFIED FUEL SENDER	1	
3	7532	FUEL FILL NECK MODIFIED	1	
4	7709	SCREW	11	
5	2437	SCREW	3	✓
6	2362	WASHER	8	
7	6690	FUEL SHUT OFF VENT VALVE	1	
8	7658	FUEL FILLER NECK O-RING GASKET	1	
9	7463	INLINE SEAT FUEL TANK STOP	1-3	
10	2552	WELL NUT	1-3	
11	7852	UNIVERSAL 13GAL AL FUEL TANK, SXS/COMBO ASSY	0	
11	7401	UNIVERSAL 13GAL AL FUEL TANK, INLINE ASSY	0	

NOTES:

- FUEL FILL NECK COULD BE MOUNTED WITH OPTIONAL SCREWS. CHECK SCREW SIZE BEFORE ORDERING.
- FUEL TANK STOP:
1 REQ'D FOR 6 PASSENGER CRAFT.
3 REQ'D FOR 4 PASSENGER CRAFT.

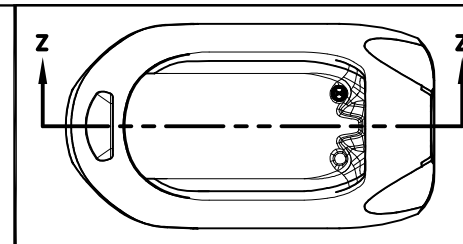
ALL DIMENSIONS IN in AND [mm]			
TOLERANCE UNLESS OTHERWISE SPECIFIED:			
FRACTIONAL ± 1/32" [0.8]			
X.XX ± 0.016" [0.40]			
X.XXX ± 0.005" [0.13]			
X.X* ± 0.10"			
# REQUIRED:	CHECKED:	CJ 2 ADDED FUEL FILLER NECK O-RING GASKET 26 AUG, 2016	
SCALE:		SIG. NO.	REVISION DATE
PAGE:	WEIGHT:		
1 OF 1		1649 TIPPECANOE STREET TERRE HAUTE, INDIANA, U.S.A. 47807-2394 TELEPHONE: (812) 234-1120 FAX: (812) 234-3217	
		DRAWN: CJ POEHLEIN	NAME: UNIVERSAL 13 GALLON AL FUEL TANK ASSEMBLY NUMBER: 17744 REV. 2
		DATE: 10 JAN, 2015	

BUILD-UP KIT 6455 CONTENTS



* ORDER PART #6455 FOR FOAM BUILD UP KIT

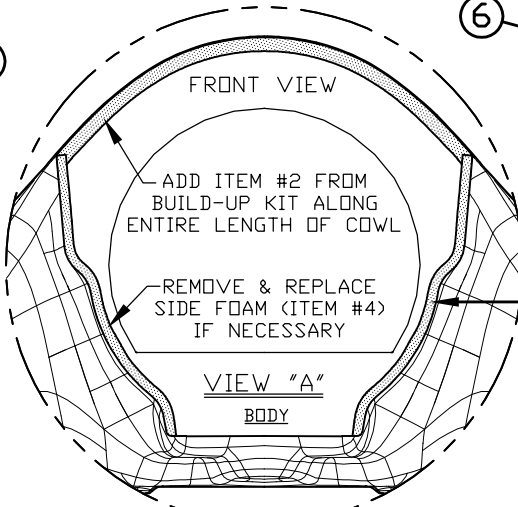
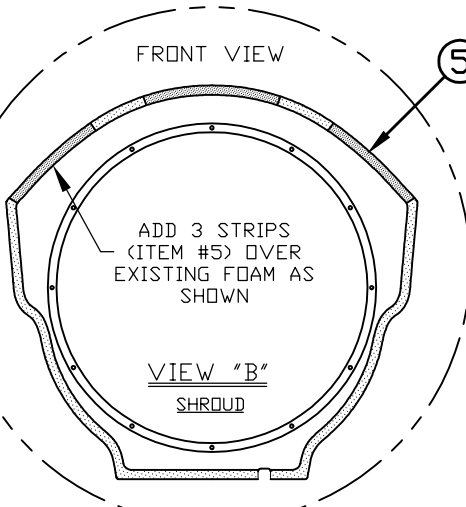
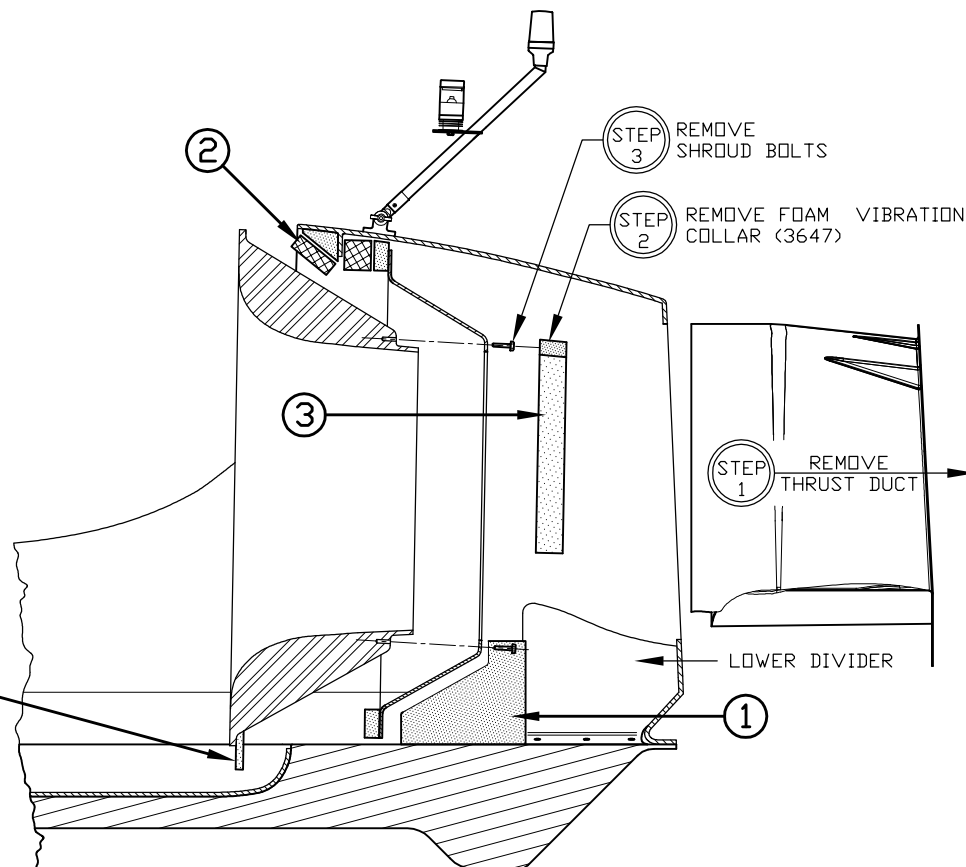
- ① REPLACEMENT CROSS-FLOW BLOCKER
- ② BODY LIP BUILD-UP FOAM
- ③ REPLACEMENT FOAM VIBRATION COLLAR
- ④ REPLACEMENT BELL TO BODY SEALING FOAM, SIDES*
- ⑤ SHROUD BUILD-UP FOAM
- ⑥ REPLACEMENT BELL TO BODY SEALING FOAM, BOTTOM



BELL/SHROUD FASTENER TYPE	TORQUE	
HEX BOLTS & RIVET-NUTS (NEWER CRAFT)	50 IN/LB	5.6 Nm
MACHINE SCREWS & WELLNUTS (OLDER CRAFT)	10 IN/LB	1.1 Nm

ORDER OF OPERATIONS

- 1) REMOVE THRUST DUCT FROM REAR OF CRAFT.
- 2) PEEL FOAM VIBRATION COLLAR (3647) OFF SHROUD STARTING IN THE CENTER AND WORKING OUT TO THE SIDES.
- 3) LOOSEN/REMOVE SHROUD BOLTS FROM REAR AND ALLOW BELL TO FALL FORWARD, GIVING ACCESS TO COWL FOAM SHOWN BELOW IN FIGURE "A".
- 4) APPLY CONTACT ADHESIVE TO FOAM ADDITIONS SUPPLIED IN KIT ALONG WITH MATING SURFACES OF EXISTING FOAM/FIBERGLASS.
*CUT ITEM #4 FROM KIT IN HALF BEFORE APPLYING ADHESIVE
- 5) ALLOW ADHESIVE TO DRY FOR APPROX. 10 MINUTES UNTIL TACK-FREE, THEN APPLY FOAM ADDITIONS AS SHOWN.
- 6) PUSH BELL BACK INTO POSITION, OIL SHROUD BOLTS AND REINSTALL; TORQUE FASTENERS TO SPECIFICATION LISTED ABOVE.
* USE CARE TO NOT STRIP ALUMINUM RIVET-NUTS IN BELL
- 7) FLIP FOAM VIBRATION COLLAR UPSIDE-DOWN & REINSTALL USING ADHESIVE OR REPLACE WITH NEW IF DAMAGED.
- 8) REINSTALL THRUST DUCT.



SECTION VIEW Z - Z

④ *CUT IN HALF

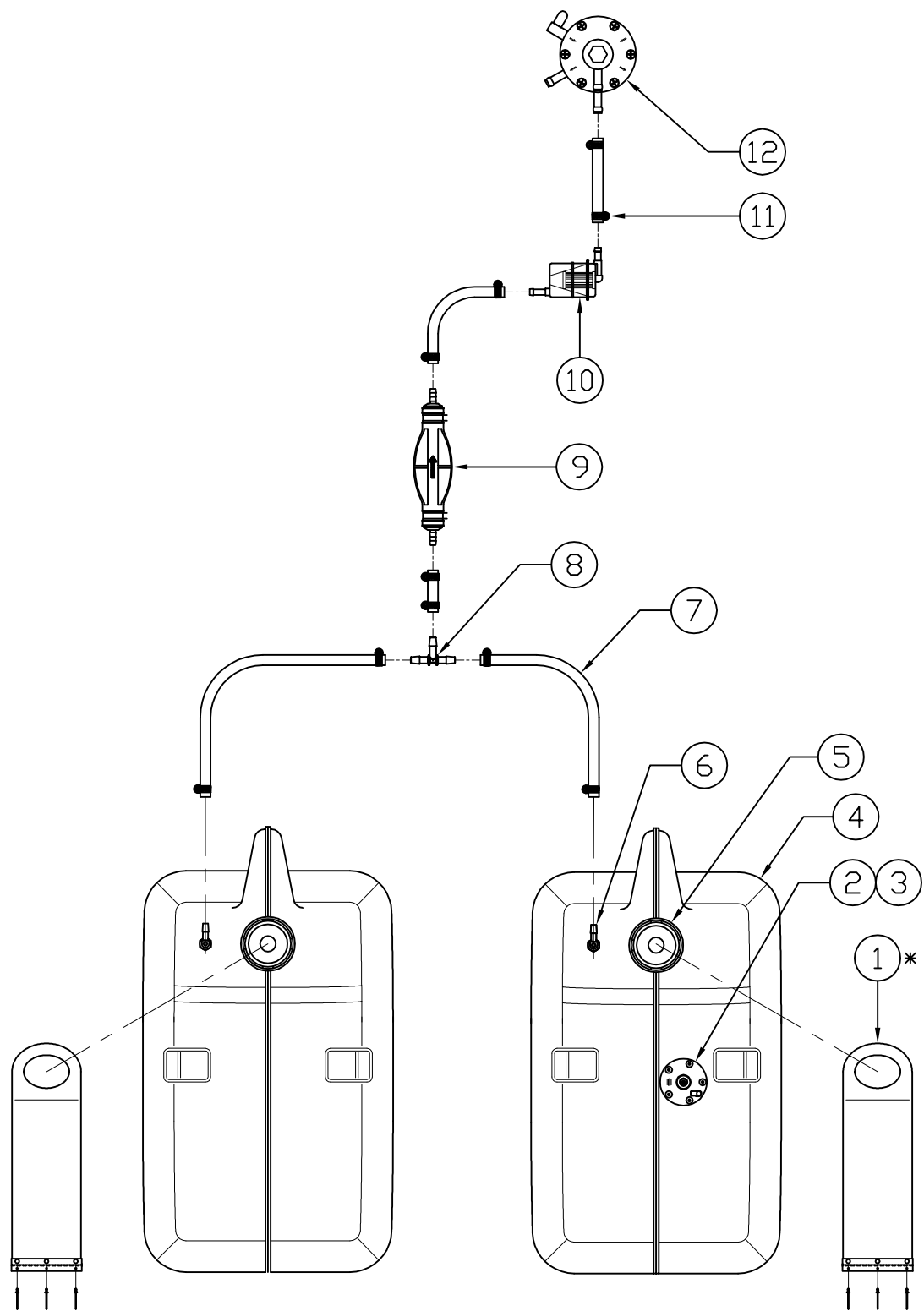
CS 3	REVISE FOR KIT, EDIT NOTES & DRAWING	31 JAN, 2014
CS 2	CORRECTED VIB. COLLAR POSITION & PART NAMES	28 JAN, 2012
SIG. NO.	REVISION	DATE

Neoteric Hovercraft Inc.

1649 TIPPECANOE STREET
TERRE HAUTE, INDIANA, U.S.A. 47807-2394
TELEPHONE (812) 234-1120 FAX (812) 234-3217

DRAWN: C. STEIMEL
NAME: THRUST BELL FOAM BUILD-UP KIT INSTRUCTIONS
DATE: 19 DEC, 2011
NUMBER: 17512
REV: 3

# REQUIRED:	CHECKED:
SCALE:	CJ173 12-FEB-2014 EW1 04-MAR-2014
FINISH:	WEIGHT: (KIT 6455) 14.0 oz [395g]



BILL OF MATERIAL		
REF.	PART #	DESCRIPTION
1	6370	FUEL TANK RETAINER ASSY
2	3704	FUEL SENDER
3	2182	POP RIVET
4	6493	FUEL TANK WITH SENDER (WITH CAP)
4	6489	FUEL TANK (WITH CAP)
5	6600	FUEL TANK, CAP
6	5316	ELBOW PIPE CONNECTOR
7	3000	FUEL HOSE
8	5427	FUEL TEE FITTING
9	1301	HAND PRIMER BULB
10	1302	FUEL FILTER
11	2203	HOSE CLAMP
12	5465	FUEL PUMP

NOTES

- THIS FORM IS FOR ORDERING REPLACEMENT PARTS ONLY. DO NOT USE THIS FORM TO ROUTE YOUR FUEL SYSTEM.
- ALL PARTS LISTED ON THIS FORM ARE COMPATIBLE WITH BOTH INLINE AND SIDE-BY-SIDE CRAFT.
- * THIS PART FOR SXS CRAFT ONLY

HT4 DELUXE SIDE-BY-SIDE CARBURATED FUEL SYSTEM SHOWN.

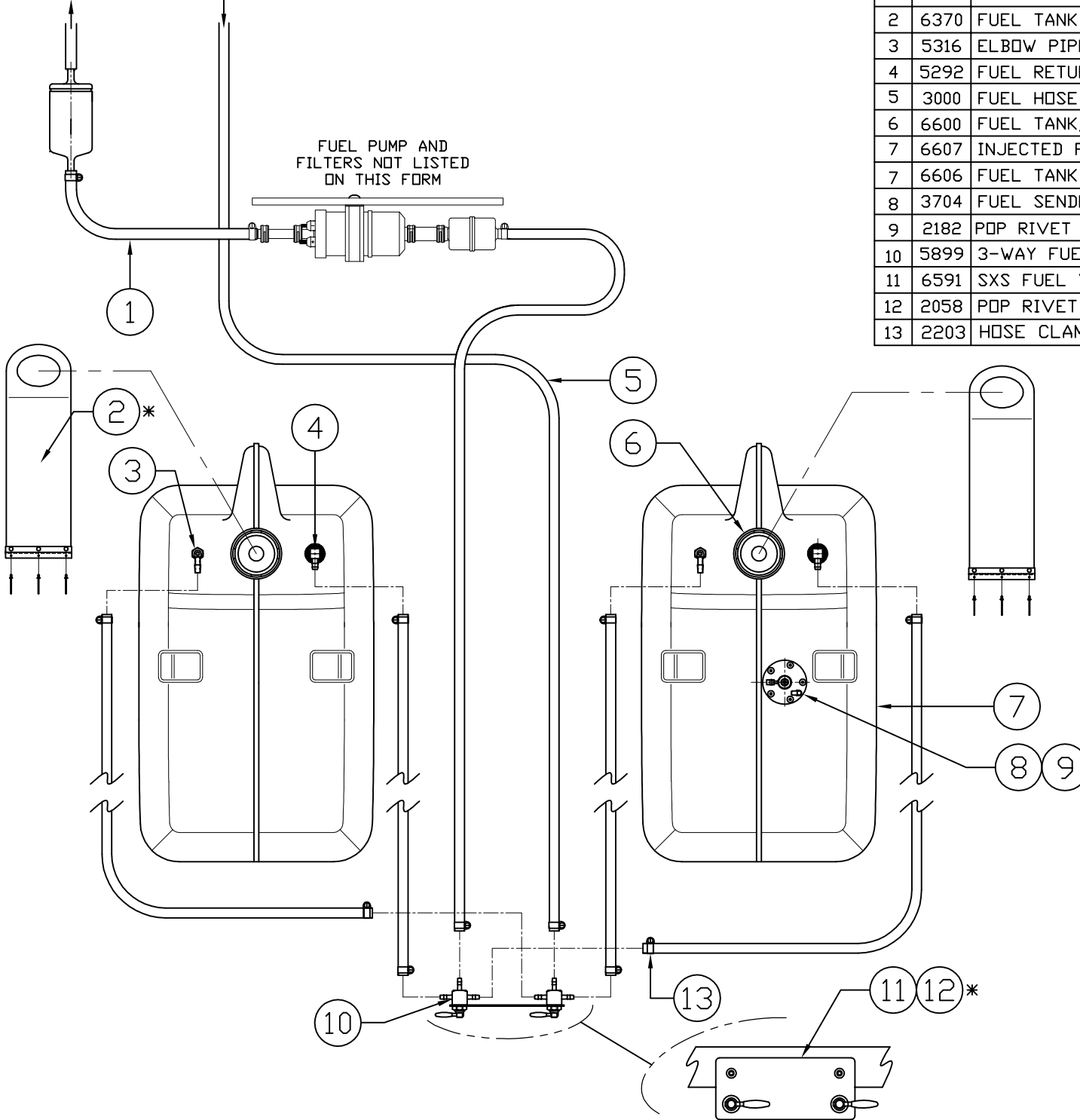
CS	2	UPDATE TO STD II	12 MAR, 2013
CP		REV DESCRIPTIONS	18 JAN, 2013
SIG. NO.		REVISION	DATE


 1649 TIPPECANOE STREET
 TERRE HAUTE, INDIANA, U.S.A. 47807-2394
 TELEPHONE: (812) 234-1120 FAX: (812) 234-3217

DRAWN:	M. ROSEBRAUGH	NAME:	CARBURATED FUEL SYSTEM COMPONENTS
DATE:	9 JULY, 2009	NUMBER:	17112
		REV.:	2

SUPPLY LINE
(TO INJECTORS)
RETURN LINE
(FROM INJECTORS)

FUEL PUMP AND
FILTERS NOT LISTED
ON THIS FORM



BILL OF MATERIAL		
REF.	PART #	DESCRIPTION
1	3193	FUEL HOSE
2	6370	FUEL TANK RETAINER ASSY
3	5316	ELBOW PIPE CONNECTOR
4	5292	FUEL RETURN ELBOW
5	3000	FUEL HOSE
6	6600	FUEL TANK, CAP
7	6607	INJECTED FUEL TANK (WITH CAP)
7	6606	FUEL TANK WITH SENDER (WITH CAP)
8	3704	FUEL SENDER
9	2182	PDP RIVET
10	5899	3-WAY FUEL VALVE
11	6591	SXS FUEL VALVE MOUNT PLATE
12	2058	PDP RIVET
13	2203	HOSE CLAMP

NOTES

- THIS FORM IS FOR ORDERING REPLACEMENT PARTS ONLY. DO NOT USE THIS FORM TO ROUTE YOUR FUEL SYSTEM.
- ALL PARTS LISTED ON THIS FORM ARE COMPATIBLE WITH BOTH INLINE AND SIDE-BY-SIDE CRAFT.
- * THIS PART FOR SXS CRAFT ONLY

HT4 DELUXE SIDE-BY-SIDE
FUEL INJECTED FUEL
SYSTEM SHOWN.

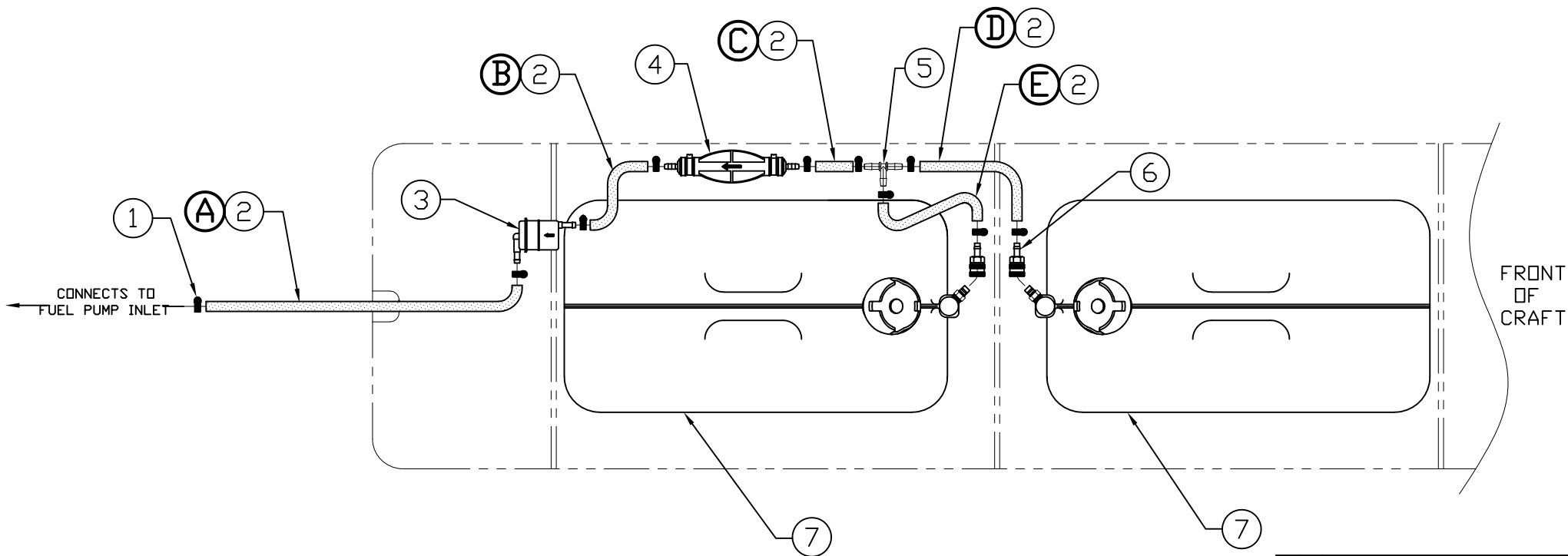
CS 2	UPDATE TO STD II	12 MAR, 2013
CP	REV DESCRIPTIONS	18 JAN, 2013
SIG. NO.	REVISION	DATE


Neoteric Hovercraft Inc.
 1649 TIPPECANOE STREET
 TERRE HAUTE, INDIANA, U.S.A. 47807-2394
 TELEPHONE (812) 234-1120 FAX (812) 234-3217

DRAWN:	M. ROSEBRAUGH	NAME:	INJECTED FUEL SYSTEM COMPONENTS
DATE:	9 JULY, 2009	NUMBER:	17113
		REV.	2

LET.	HOSE DIAMETER	LENGTH
A	1/4	29 1/2" [749.3]
B	1/4	9" [228.6]
C	1/4	4" [101.6]
D	1/4	14 1/2" [368.3]
E	1/4	12 1/2" [317.5]

BILL OF MATERIAL				
REF.	PART NO.	DESCRIPTION	QTY.	OPT.
1	2203	HOSE CLAMP	10	
2	3000	FUEL HOSE	69.5"	
3	1302	FUEL FILTER	1	
4	1301	HAND PRIMER BULB	1	
5	5427	FUEL TEE FITTING	1	
6	1912	FUEL LINE CONNECTOR, FEMALE	2	
7	3507	QUICK CONNECT FUEL TANK	2	✓
7	6360	2 QUICK CONNECT FUEL TANKS, 1 WITH SENDER	1	✓



NOTE:
LOCATE TANK WITH FUEL SENDER IN
REAR POSITION WHEN APPLICABLE.

CS	REDRAWN TO SUIT	8/13/07
RW	PLUMBING RECONFIGURED	3/1/04
SIG. NO.	REVISION	DATE

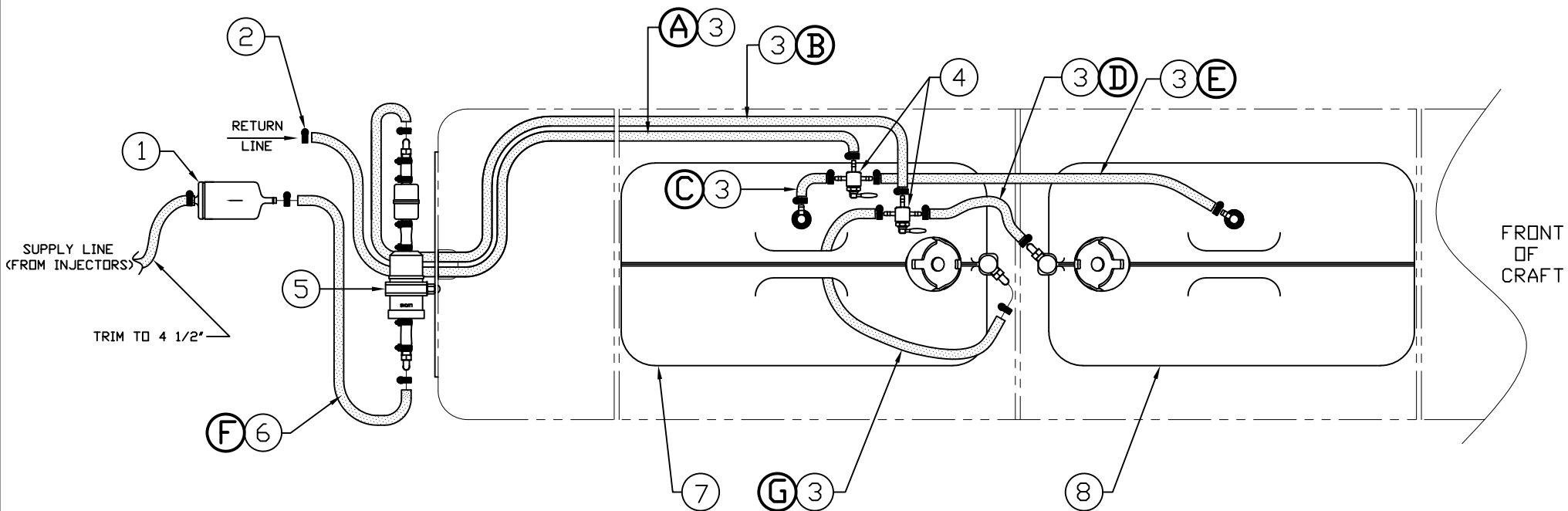
ALL DIMENSIONS IN IN AND [mm]	
# REQUIRED:	CHECKED:
1	
SCALE: 1" [25.4]	WEIGHT: (LBS) (g)
FINISH: NATURAL	
USED ON ASSEMBLY: 3421	FILE NUMBER:

Neoteric Hovercraft Inc.
 1649 TIPPECANOE STREET
 TERRE HAUTE, INDIANA, U.S.A. 47807-2394
 TELEPHONE (812) 234-1120 FAX (812) 234-3217

DRAWN: R. WILSON	NAME: INLINE FUEL SYSTEM CARBURATED LONG RANGE
DATE: 17 MAR., 2002	NUMBER: 3702

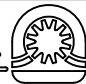
LET.	HOSE DIAMETER	LENGTH
A	1/4	66 1/2" [1689.1]
B	1/4	40" [1016]
C	1/4	3 1/8" [79.4]
D	1/4	3 3/4" [95.3]
E	1/4	19 3/8" [492.1]
F	5/16	30 1/2" [774.7]
G	1/4	16 1/2" [419.1]

BILL OF MATERIAL				
REF.	PART NO.	DESCRIPTION	QTY.	OPT.
1	5373	HIRTH MICRO FILTER	1	
2	2203	HOSE CLAMP	15	
3	3000	FUEL HOSE	149.25'	
4	5899	3 WAY VALVE	2	
5	6666	ELECTRIC FUEL PUMP ASSEMBLY	1	
6	3193	FUEL HOSE	30.5'	
7	5293	PORT/REAR INJECTION FUEL TANK	1	✓
7	5295	PORT/REAR INJECTION FUEL TANK WITH SENDER	1	✓
8	5294	STARBOARD/FRONT INJECTION FUEL TANK	1	

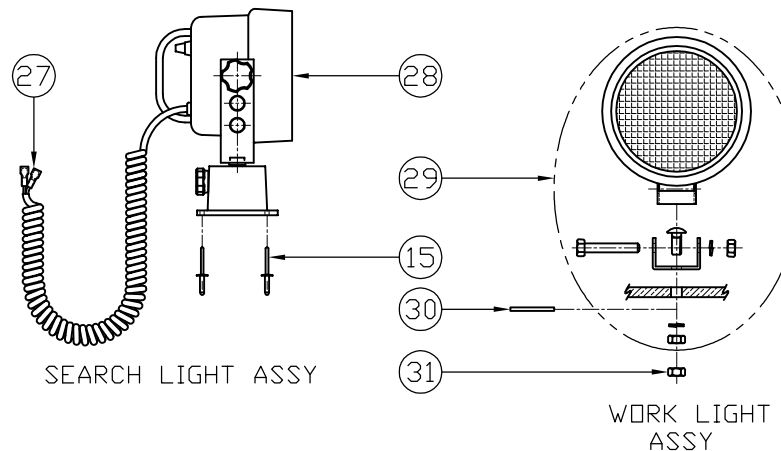
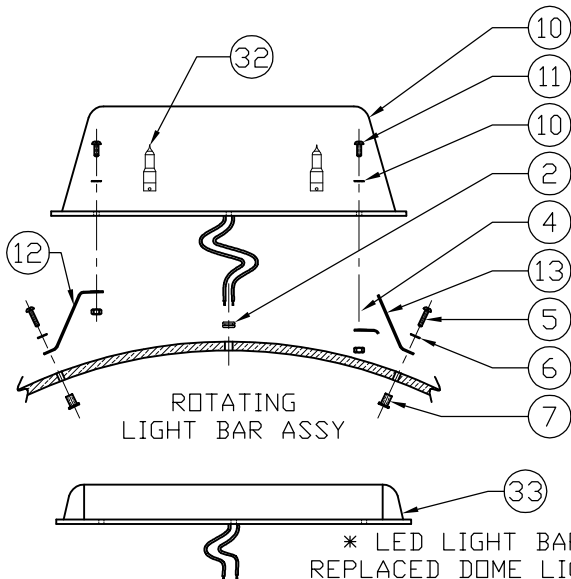
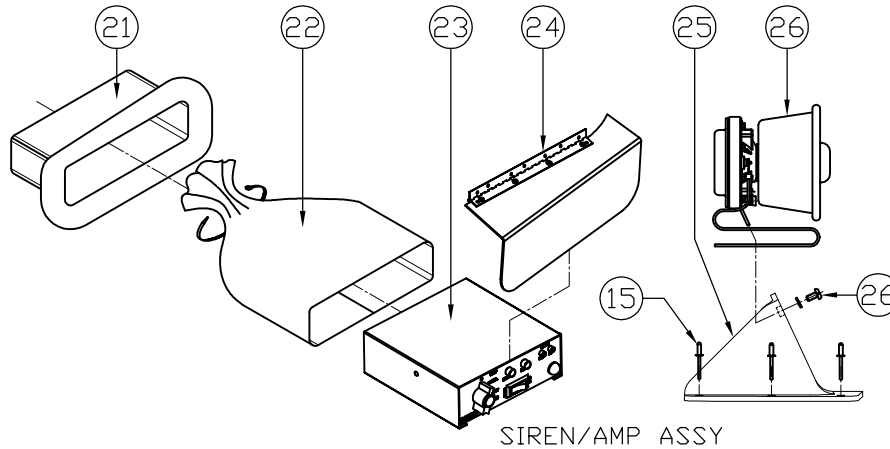
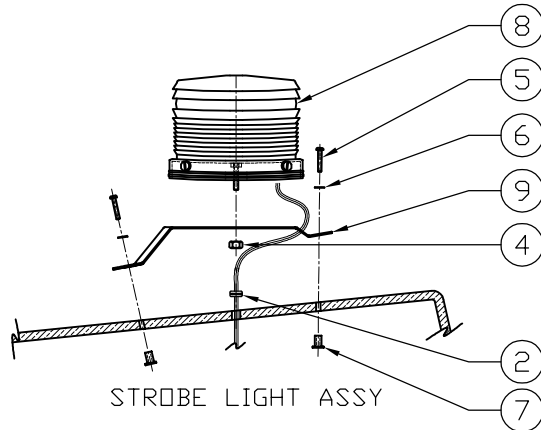
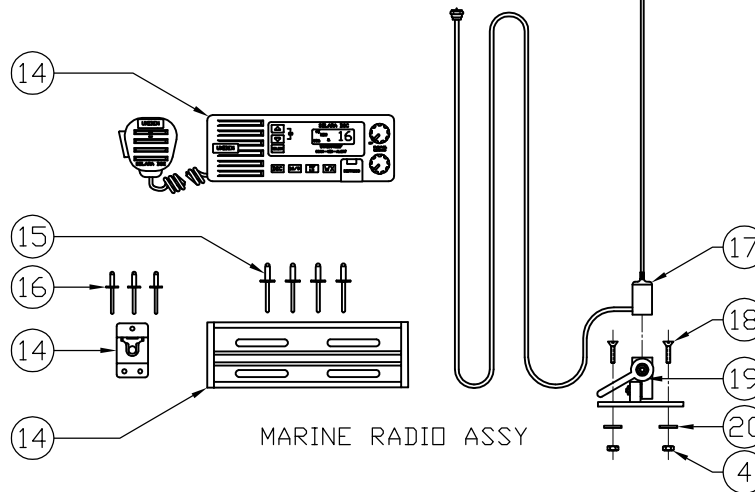
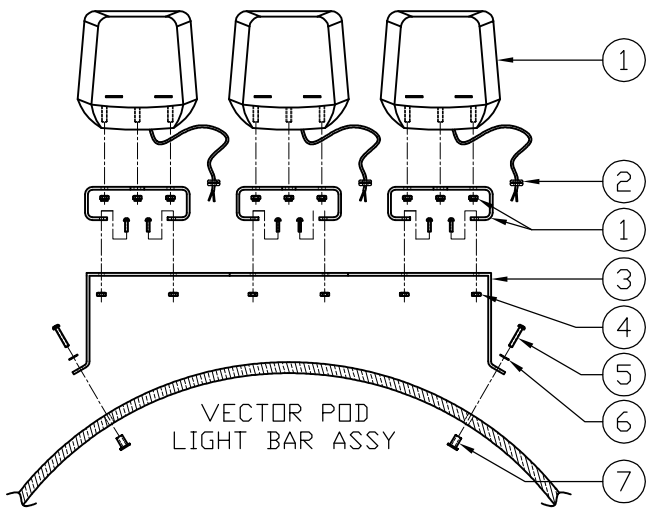


CS	REDRAWN TO SUIT	8/10/07
RW	3-WAY VALVE ADDED, HOSE LENGTHS CHANGED	8/2/06
SIG. NO.	REVISION	DATE

ALL DIMENSIONS IN IN AND [mm]	
# REQUIRED:	CHECKED:
SCALE:	WEIGHT: (LBS) (g)
FINISH: NATURAL	
USED ON ASSEMBLY: XXXX	FILE NUMBER:


Neoteric Hovercraft Inc.
 1649 TIPPECANOE STREET
 TERRE HAUTE, INDIANA, U.S.A. 47807-2394
 TELEPHONE (812) 234-1120 FAX (812) 234-3217

DRAWN: R. WILSON	NAME: INLINE FUEL SYSTEM INJECTED LONG RANGE
DATE: 27 JUNE, 2005	NUMBER: 5296



BILL OF MATERIAL		
REF.	PART #	DESCRIPTION
1	5244	VIEWPOINT POD, BLUE
1	5392	VIEWPOINT POD, RED
1	5393	VIEWPOINT POD, AMBER
1	5643	VIEWPOINT POD, WHITE
2	2102	RUBBER GROMMET
3	5701	VIEWPOINT POD MOUNT
4	2333	NUT
5	2437	SCREW
6	2362	WASHER
7	2551	WELL NUT
8	6630	STROBE LIGHT, BLUE
8	6631	STROBE LIGHT, RED
8	6632	STROBE LIGHT, WHITE
9	6448	STROBE LIGHT MOUNT
10	1249	MINI-BAR, RED/BLUE
10	1252	MINI-BAR AMBER
10	3379	MINI-BAR, BLUE
10	3426	MINI-BAR, RED
11	2343	SCREW
12	5765	MINI-BAR MOUNT, PORT
13	5766	MINI-BAR MOUNT, STARBOARD
14	3514	MARINE RADIO ASSEMBLY
15	2185	POP RIVET
16	2160	POP RIVET
17	3515	LOW PROFILE ANTENNA
18	2388	SCREW
19	3523	LOW PROFILE ANTENNA MOUNT
20	2353	WASHER
21	3528	SIREN, SUPPORT
22	1836	SPLASH BAG ASSY
23	3554	SIREN
24	1833	SIREN COVER ASSY
25	3526	SPEAKER, MOUNT
26	1636	SPEAKER
27	2199	TERM. FITTING
28	5691	SEARCH LIGHT
29	5676	WORK LAMP
30	2474	WASHER
31	2451	NUT
32	5824	REPLACEMENT BULB
33	7487	LED LIGHT BAR

CJ	3	ADDED REPLACEMENT BULB, LED LIGHT	1 JUN, 2016
CS	2	ENLARGE VIEWS & UPDATE TO STD II	12 MAR, 2013
CP		REV DESCRIPTIONS	18 JAN, 2013
SIG. NO.		REVISION	DATE

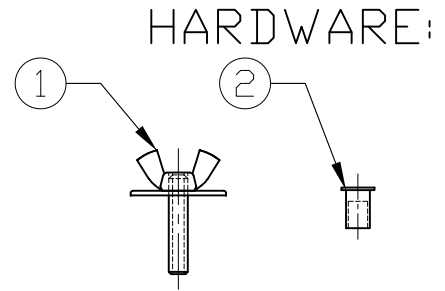
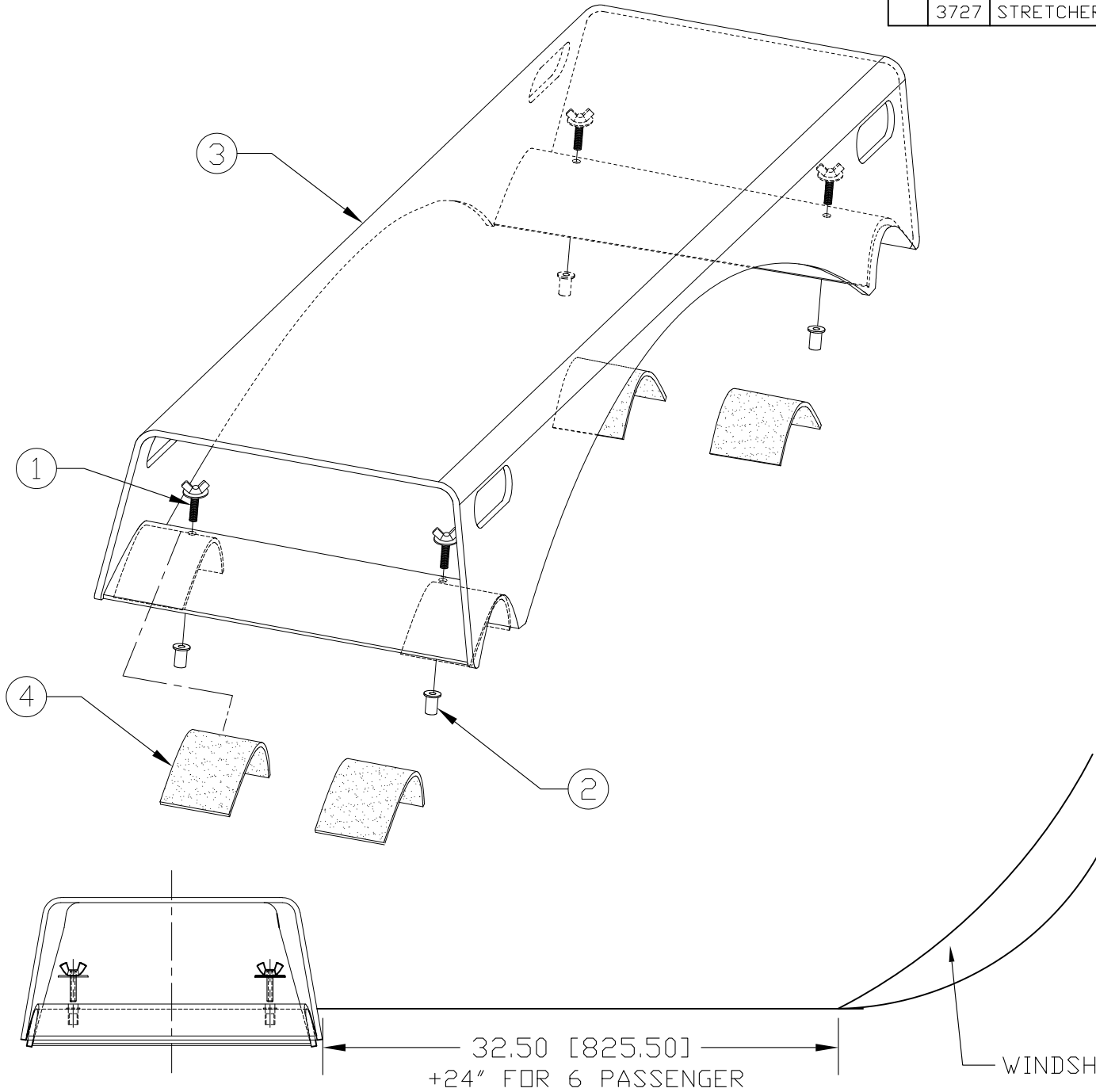

Neoteric Hovercraft Inc.

1649 TIPPECANOE STREET
 TERRE HAUTE, INDIANA, U.S.A. 47807-2394
 TELEPHONE (812) 234-1120 FAX (812) 234-3217

DRAWN: C. STEIMEL	NAME: HT ACCESSORY AND RESCUE COMPONENTS
DATE: 10 AUG, 2009	NUMBER: 17745 REV. 3

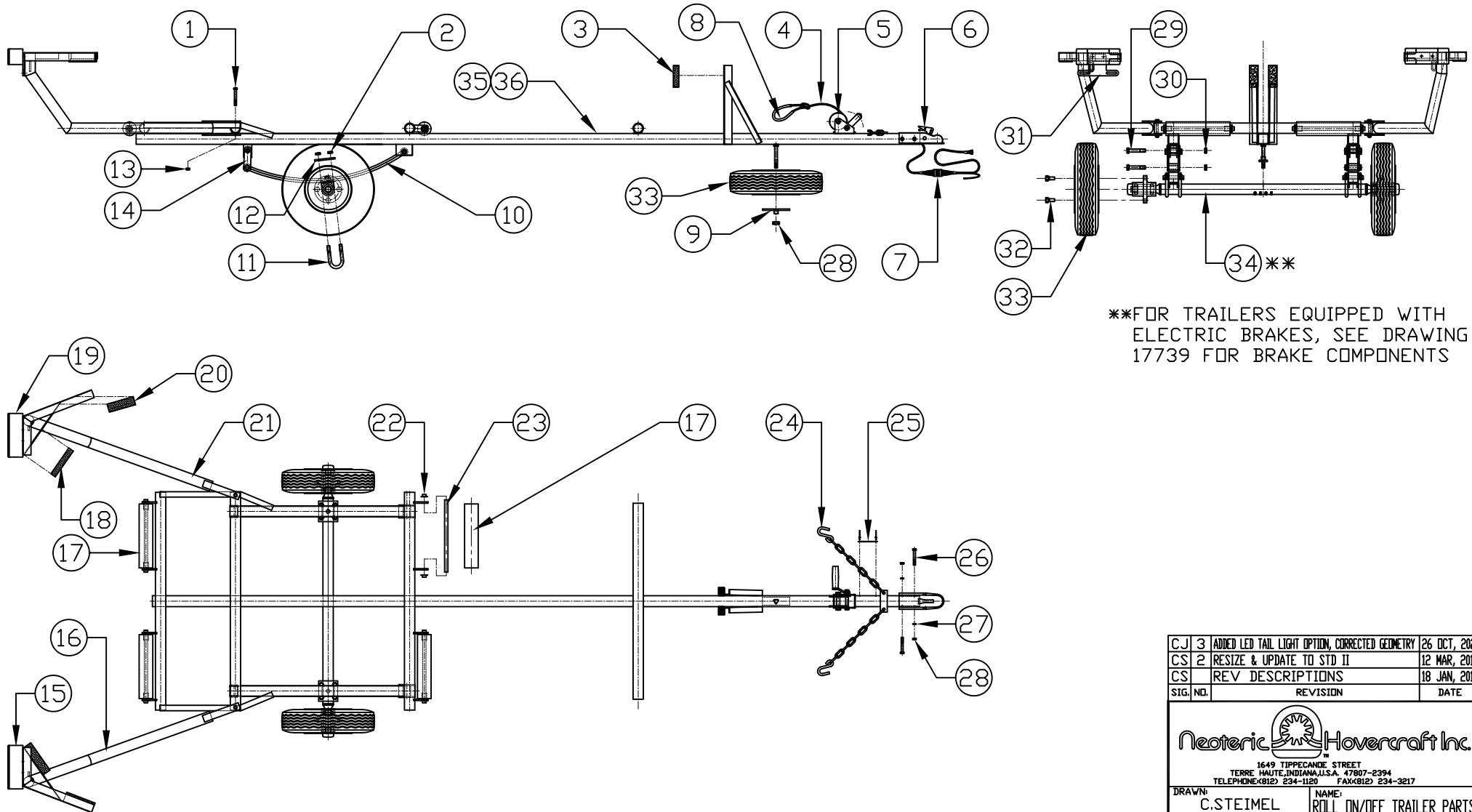
RESCUE STRETCHER MOUNT ASSEMBLY

BILL OF MATERIAL			
REF.	PART #	DESCRIPTION	QTY.
1	6671	STRETCHER PLATFORM BOLT	4
2	5604	RIV-NUT	4
3	3781	STRETCHER PLATFORM	1
4	3028	STRETCHER MOUNT FOAM PAD	4
	3727	STRETCHER MOUNT ASSEMBLY	




SIG. NO.	REVISION	DATE
1649 TIPPECANOE STREET TERRE HAUTE, INDIANA, U.S.A. 47807-2394 TELEPHONE (812) 234-1120 FAX (812) 234-3217		
DRAWN: CJ POEHLIN	NAME: STRETCHER MOUNT ASSEMBLY FOR MANUAL	
DATE: 16 FEB 2023	NUMBER: 16467	REV. 2

BILL OF MATERIAL					
REF.	PART NO.	DESCRIPTION	REF.	PART NO.	DESCRIPTION
1	2456	BOLT	15	1774	TAIL LIGHT, STARBOARD
2	2044	NUT	15	9933	TAIL LIGHT, STARBOARD, LED
3	1272	FOAM PAD	15	3493	TRAILER WIRE HARNESS, TAIL LIGHT, STAR.
4	3176	ROPE	16	3673	HT SWING ARM ASSY, STARBOARD
5	1238	WINCH	17	1433	RUBBER ROLLER
6	1765	POST-LOCK HITCH	18	3697	FOAM BLOCK #2
7	3494	HT4 TRAILER HARNESS, MAIN	19	1770	TAIL LIGHT, PORT
7	6398	HT6 TRAILER HARNESS, MAIN	19	9932	TAIL LIGHT, PORT, LED
8	3193	TUBE	19	3495	TRAILER WIRE HARNESS, TAIL LIGHT, PORT
9	7725	SPARE WHEEL PLATE ASSY	20	3696	FOAM BLOCK #1
10	1284	LEAF SPRING	21	3674	SWING ARM ASSEMBLY, PORT
11	2055	U-BOLT	22	2043	PAL NUT
12	1437	SHACKLE TIE PLATE	23	7480	ROLLER AXLE
13	2455	NUT	24	1276	CHAIN-SAFETY
14	1286	SHACKLE LINKS LONG	25	1424	TRAILER SERIAL # PLATE ASSY
					26 2042 BOLT
					27 2069 WASHER
					28 2090 NUT
					29 2018 BOLT
					30 2040 NUT
					31 1797 PLASTIC LICENSE PLATE HOLDER
					32 2748 LUG NUT
					33 5728 WHEEL & TIRE
					33 7107 GALV. WHEEL & TIRE
					34 1421 AXLE & HUB ASSY
					34 7103 GALVANIZED AXLE & HUB ASSY WITH ELECTRIC BRAKES
					35 3672 HT4 TRAILER MAIN FRAME
					36 6397 HT6 TRAILER MAIN FRAME
					3671 4 PASSENGER TRAILER ASSEMBLY COMPLETE
					6074 6 PASSENGER TRAILER ASSEMBLY COMPLETE



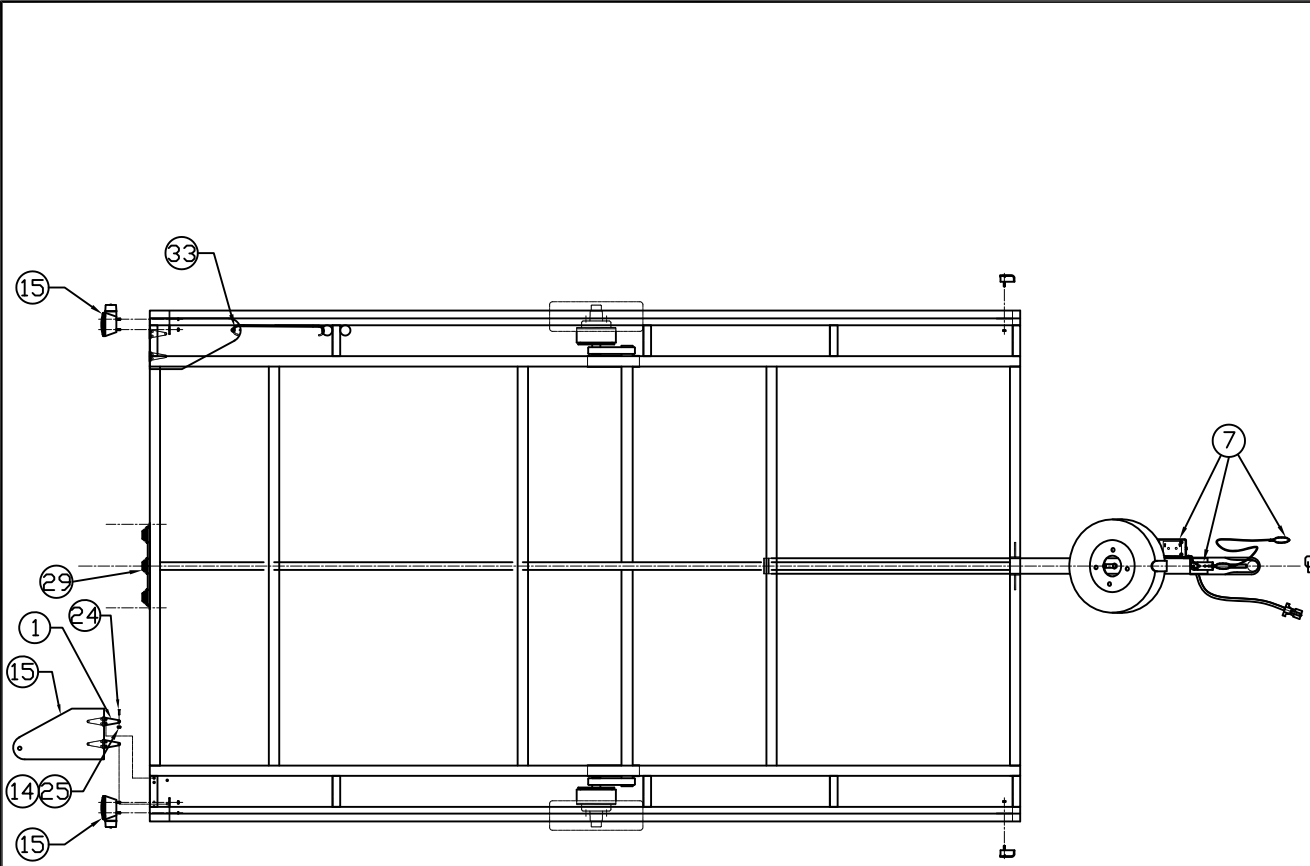
**FOR TRAILERS EQUIPPED WITH ELECTRIC BRAKES, SEE DRAWING 17739 FOR BRAKE COMPONENTS

CJ	3	ADDED LED TAIL LIGHT OPTION, CORRECTED GEOMETRY	26 OCT, 2021
CS	2	RESIZE & UPDATE TO STD II	12 MAR, 2013
CS		REV DESCRIPTIONS	18 JAN, 2013
SIG. NO.		REVISION	DATE

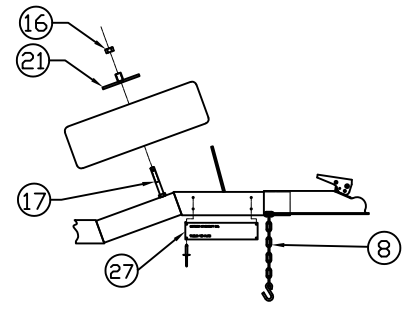
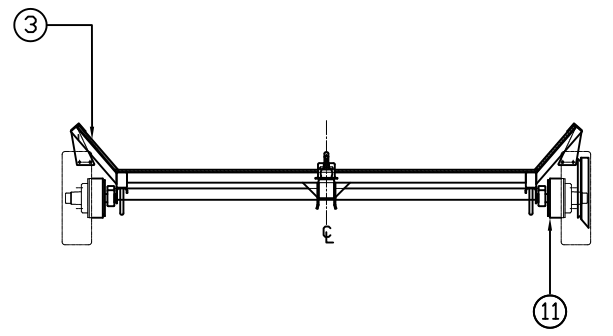
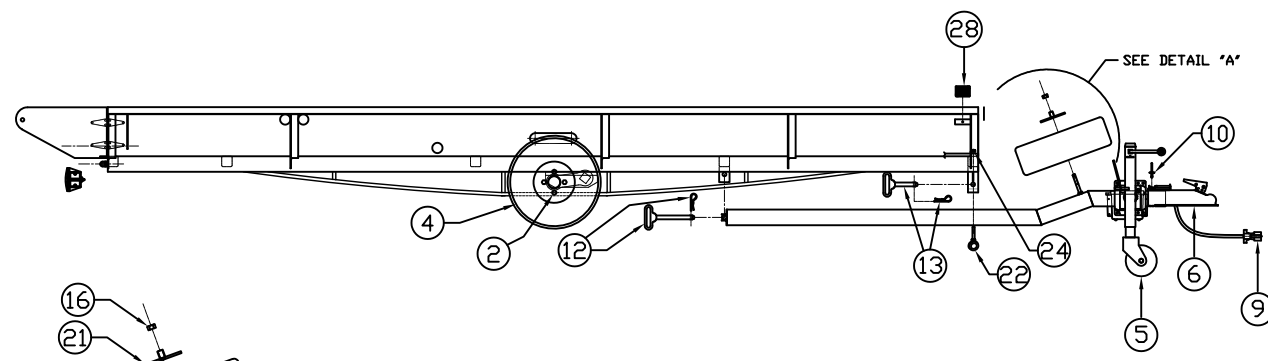


 1649 TIPPECANOE STREET
 TERRE HAUTE, INDIANA, U.S.A. 47807-2394
 TELEPHONE: (812) 234-1120 FAX: (812) 234-3217

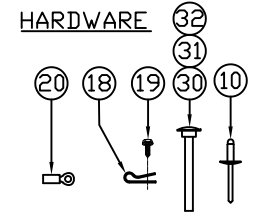
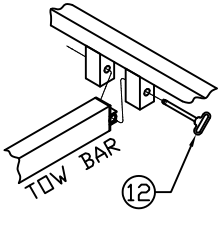
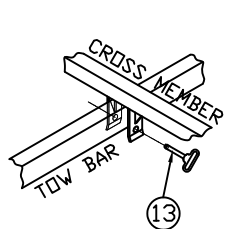
DRAWN:	C. STEIMEL	NAME:	ROLL ON/OFF TRAILER PARTS
DATE:	7 DEC, 2011	NUMBER:	17391
		REV.	3



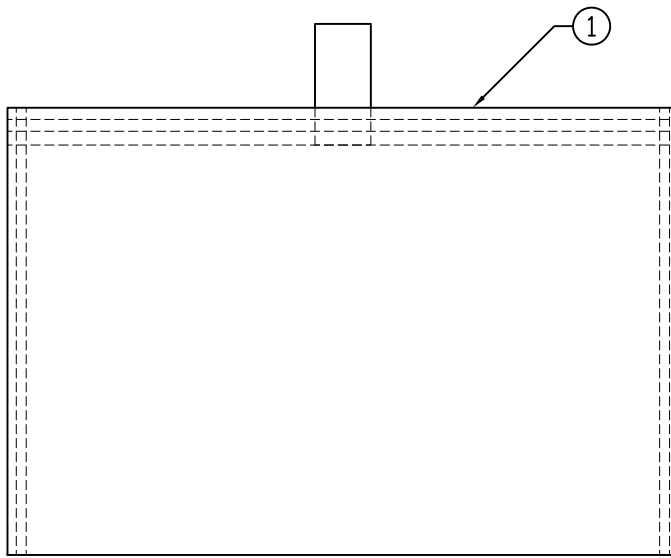
REF. PART #		DESCRIPTION	QTY.
1	6642	360 DEGREE HINGE	4
2	2748	WHEEL NUT	8
3	6626	DECK PLATES	
4	5262	WHEEL/TIRE	2
5	5614	SWING AWAY SCREW JACK WITH CASTER & HARDWARE	1
6	5615	HITCH	1
7	5309	BREAKAWAY ELECTRICAL SYSTEM ASSY	1
8	1276	CHAIN-SAFETY	1
9	5434	7 WAY FEMALE PLUG	1
10	2156	RIVET	1
11	5263	AXLE ASSEMBLY WITH BRAKES	1
12	6206	HITCH PIN	1
13	6204	HITCH PIN	1
14	6880	WASHER, ZINC	12
15	6648	HOVER ON/OFF TRAILER LIGHT KIT	1
15	5440	SIX FUNCTION COMBINATION LIGHT, STARBOARD	0
15	5466	SIX FUNCTION COMBINATION LIGHT, PORT	0
16	2090	SPARE WHEEL NUT	1
17	1282	SPARE WHEEL BOLT	1
18	2187	P-CLIP	100
19	2021	SCREW	100
20	2197	TERMINAL FITTING	5
21	10061	SPARE WHEEL BOLT PLATE	1
22	10373	TIE DOWN BOLT	2
23	10068	TAIL WINGS	2
24	2477	FLT HD MACH SCREW Z	18
25	2037	NUT, Z	12
26	6880	WASHER, Z	11
27	5248	TRAILER VIN PLATE	1
28	7484	FRONT CLEARANCE LIGHT	2
29	5445	IDENTIFICATION LIGHT BAR	1
30	9894	CARRIAGE BOLT, Z	30
31	9895	CARRIAGE BOLT, Z	35
32	9896	CARRIAGE BOLT, Z	54
33	7930	BUNGEE STRAP	2



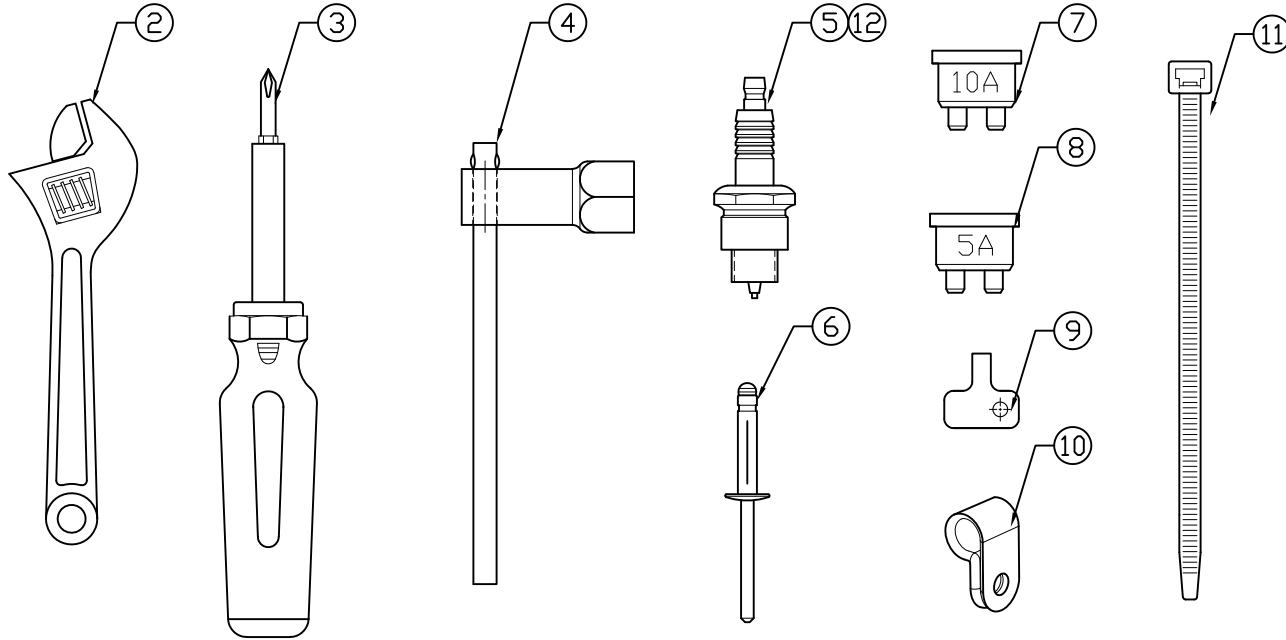
SHOWN BIGGER FOR CLARITY



SIG. NO.	REVISION	DATE
TERRE HAUTE, INDIANA, U.S.A. 47807-2394 TELEPHONE: (812) 234-1120 FAX: (812) 234-3217		
DRAWN: CJ POEHLEIN	NAME: SINGLE AXLE FLY ON/OFF TILT TRAILER	
DATE: 9 MAR, 2021	NUMBER: 16566	REV. 3




BILL OF MATERIAL			
REF.	PART #	DESCRIPTION	QTY.
	5251	HIRTH 55/65HP TOOL KIT	X
	6111	HIRTH 100HP TOOL KIT	X
1	1562	TOOL BAG	1
2	2690	ADJUSTABLE WRENCH	1
3	1563	COMBINATION SCREWDRIVER	1
4	5250	SPARK PLUG WRENCH	1
5	5668	55/65HP SPARK PLUG (5251 KIT ONLY)	2
6	2185	RIVET	6
7	9449	10 AMP FUSE	2
8	9448	5 AMP FUSE	2
9	7486	CRUISE CONTROL ADJUSTMENT KEY	1
10	2192	P-CLIP	6
11	2371	SKIRT TIE	12
12	6187	100HP SPARK PLUG (6111 KIT ONLY)	3

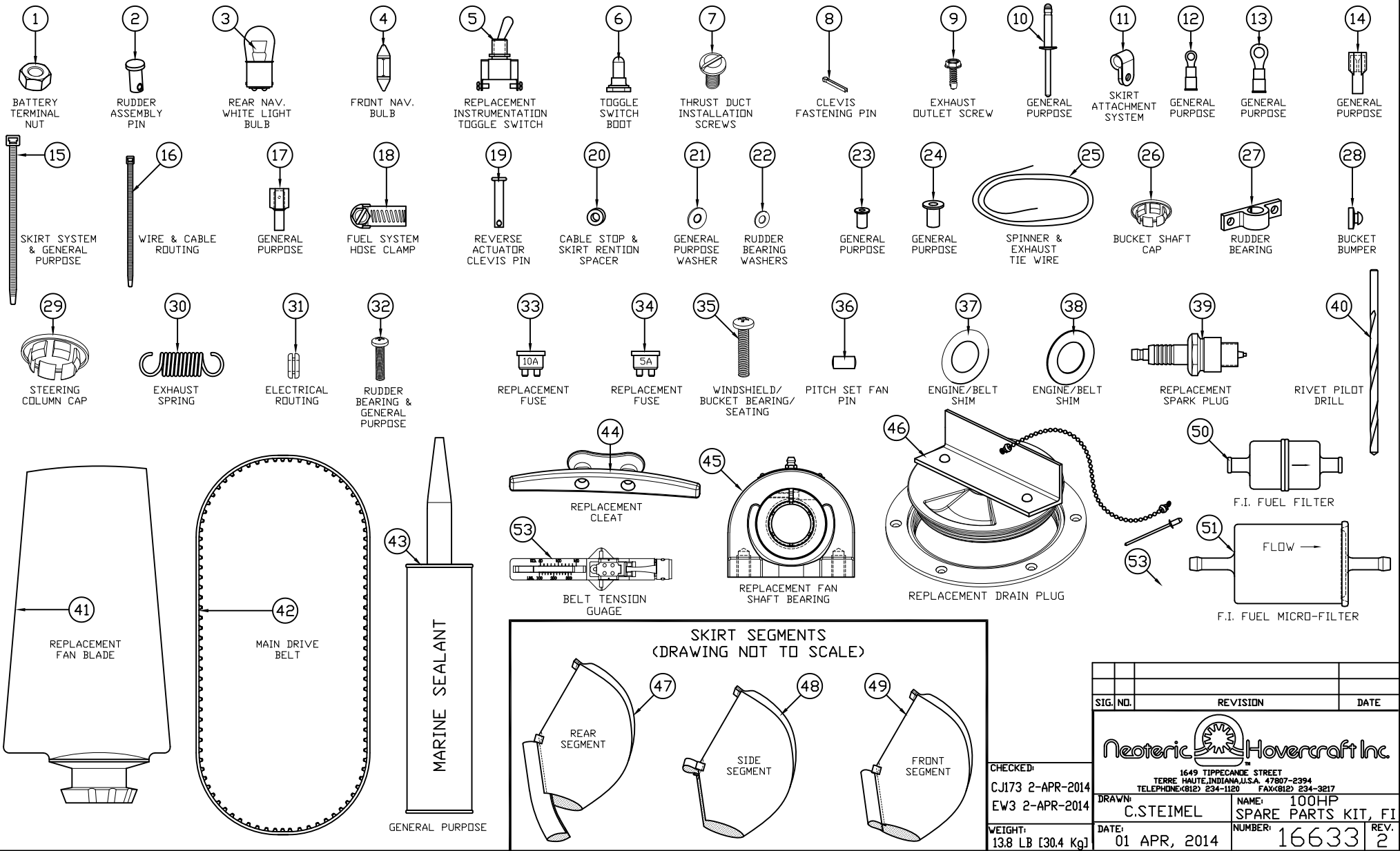


NOTES:

- 1) FORM SHOWS CONTENTS OF TOOL KITS.
- 2) 55/66HP SPARK PLUG ONLY COMES IN 5251-55/65HP TOOL KIT.
- 3) 100HP SPARK PLUG ONLY COMES IN 6111-100HP TOOL KIT.

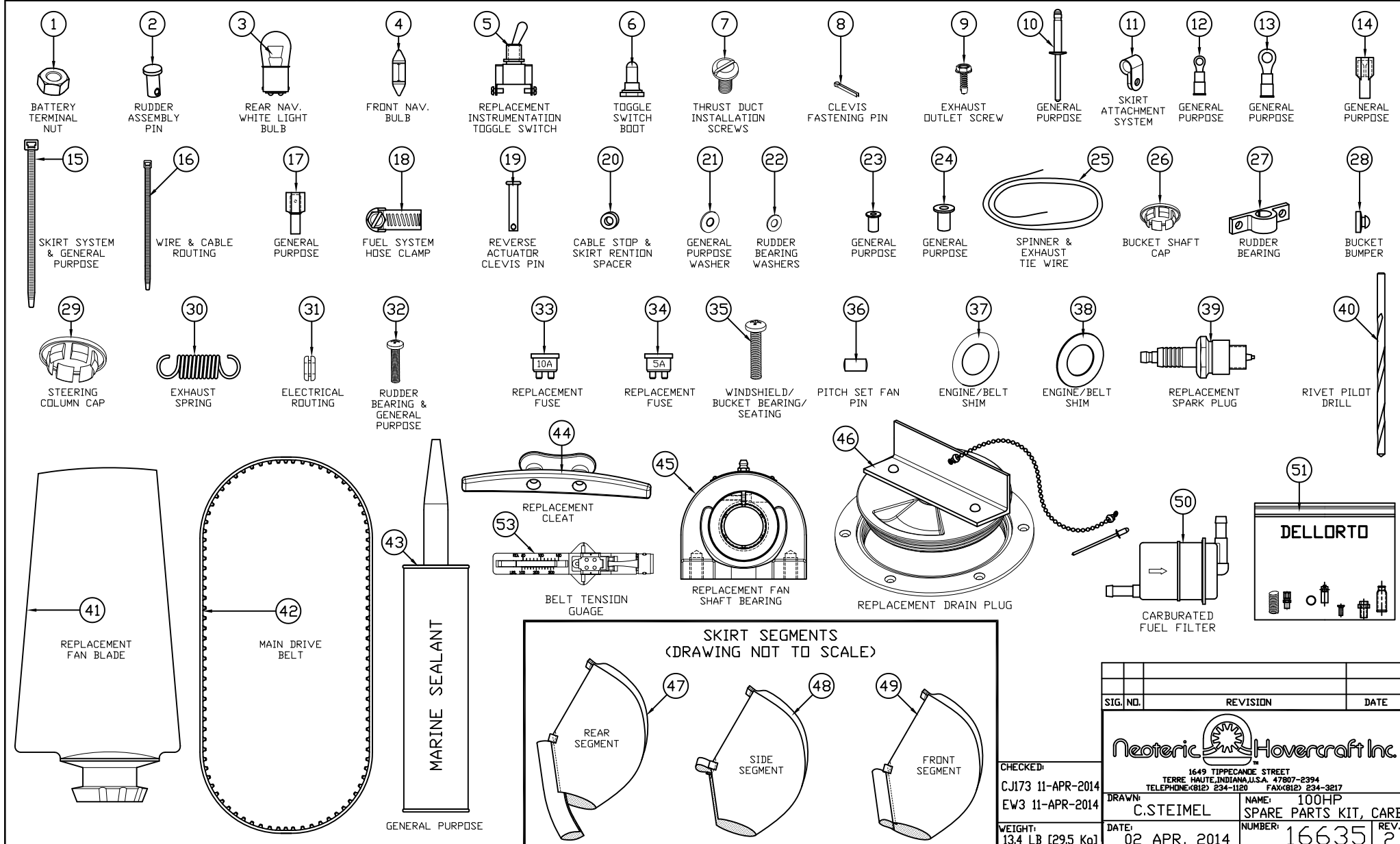
SIG. NO.	REVISION	DATE
 Neoteric Hovercraft Inc. 1649 TIPPECANOE STREET TERRE HAUTE, INDIANA, U.S.A. 47807-2394 TELEPHONE (812) 234-1120 FAX (812) 234-3217		
DRAWN: CJ POEHLEIN	NAME: HIRTH TOOL KITS FOR MANUAL	
DATE: 17 MAR, 2023	NUMBER: 16564	REV. 2

PARTS LIST											
REF. PART #	DESCRIPTION	QTY.	REF. PART #	DESCRIPTION	QTY.	REF. PART #	DESCRIPTION	QTY.	REF. PART #	DESCRIPTION	QTY.
1	2227	5/16 HEX NUT	2	15	2371	PLASTIC WIRE TIE, HEAVY	50	29	3728	PLASTIC HOLE PLUG, STEERING COLUMN	1
2	1033	Ø1/4 CLEVIS PIN, SHORT	2	16	2372	PLASTIC WIRE TIE, LIGHT	10	30	5421	EXHAUST SPRING	2
3	1473	REPLACEMENT BULB, REAR NAV	1	17	2199	PUSH-ON TERMINAL FITTING, MALE	4	31	2102	RUBBER GROMMET	2
4	1481	REPLACEMENT BULB, FRONT NAV	1	18	2203	HOSE CLAMP	2	32	2437	#8 MACHINE SCREW, PHILLIPS HD	4
5	1652	TOGGLE SWITCH	1	19	2342	Ø3/16 CLEVIS PIN, LONG	2	33	6456	BLADE FUSE, 10 AMP	2
6	1653	TOGGLE SWITCH BOOT	2	20	2350	Ø3/8 OD PLASTIC WASHER, CABLE STOP	20	34	2684	BLADE FUSE, 5 AMP	2
7	2027	PLASTIC THRUST DUCT SCREW	10	21	2362	Ø7/16 OD WASHER, SS	14	35	2709	#10 MACHINE SCREW, PHILIPS HD	10
8	2071	SPLIT COTTER PIN	6	22	2367	Ø3/8 OD WASHER, SS	5	36	1570	FAN PIN	3
9	2459	SHEET METAL SCREW, SELF TAPPING	2	23	2551	SMALL WELL NUT, Ø5/16	4	37	7378	Ø1.00 OD SHIM WASHER, 0.005 THK	4
10	2185	Ø3/16 POP RIVIT	30	24	2552	LARGE WELL NUT, Ø3/8	10	38	7379	Ø1.00 OD SHIM WASHER, 0.010 THK	4
11	2192	P-CLIP	10	25	3023	STAINLESS STEEL TIE WIRE	20 in	39	6187	SPARK PLUG, 100HP HIRTH	3
12	2196	RING TERMINAL FITTING, #6	10	26	3469	PLASTIC HOLE PLUG, BUCKET SHAFT	2	40	4518	#11 TWIST DRILL	1
13	2197	RING TERMINAL FITTING, #10	4	27	3487	PLASTIC RUDDER BEARING	2	41	6138	100HP FAN BLADE	3
14	2198	PUSH-ON TERMINAL FITTING, FEMALE	4	28	3506	RUBBER BUMPER	6	42	5696	100HP MAIN DRIVE BELT, POLYCHAIN	1
43	2378	MARINE SEALANT, BLACK (1tu = 300mL)	1 tu	44	1466	CLEAT	1	45	7324	HT6 REAR PILLOW BLOCK BEARING	1
				46	0704	DRAIN PLUG ASSEMBLY	1	47	3558	REAR HT SKIRT SEGMENT, BLACK	1
				48	3557	SIDE HT SKIRT SEGMENT, BLACK	4	49	5362	FRONT HT SKIRT SEGMENT, BLACK	2
				50	5372	HIRTH F.I. FUEL FILTER	1	51	5373	HIRTH F.I. MICRO-FILTER	1
				52	3897	106L TOTE (NOT SHOWN)	1	53	4546	BELT TENSION GAUGE	1
									6664	100HP SPARE PARTS KIT, FI (CONTAINS ITEMS 1 - 52)	-

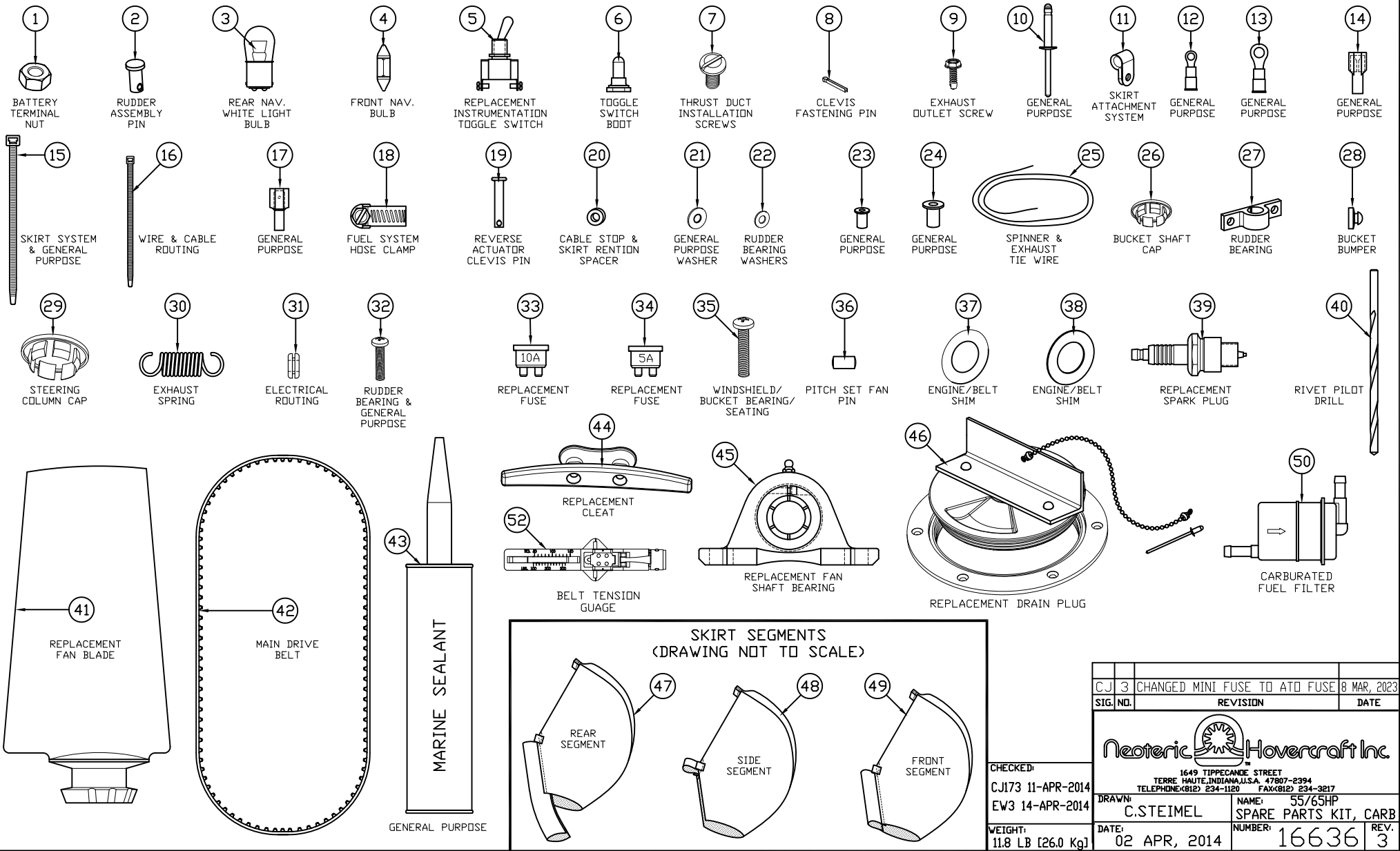


SIG. NO.	REVISION	DATE
1649 TIPPECANOE STREET TERRE HAUTE, INDIANA, U.S.A. 47807-2994 TELEPHONE (812) 234-1150 FAX (812) 234-3217		
CHECKED:	DRAWN:	NAME:
CJ173 2-APR-2014	C.STEIMEL	100HP SPARE PARTS KIT, FI
EW3 2-APR-2014		NUMBER: 16633
WEIGHT:	DATE:	REV.
13.8 LB (30.4 Kg)	01 APR, 2014	2

PARTS LIST											
REF.	PART #	DESCRIPTION	QTY.	REF.	PART #	DESCRIPTION	QTY.	REF.	PART #	DESCRIPTION	QTY.
1	2227	5/16 HEX NUT	2	15	2371	PLASTIC WIRE TIE, HEAVY	50	29	3728	PLASTIC HOLE PLUG, STEERING COLUMN	1
2	1033	Ø1/4 CLEVIS PIN, SHORT	2	16	2372	PLASTIC WIRE TIE, LIGHT	10	30	5421	EXHAUST SPRING	2
3	1473	REPLACEMENT BULB, REAR NAV	1	17	2199	PUSH-ON TERMINAL FITTING, MALE	4	31	2102	RUBBER GROMMET	2
4	1481	REPLACEMENT BULB, FRONT NAV	1	18	2203	HOSE CLAMP	2	32	2437	#8 MACHINE SCREW, PHILLIPS HD	4
5	1652	TOGGLE SWITCH	1	19	2342	Ø3/16 CLEVIS PIN, LONG	2	33	6456	BLADE FUSE, 10 AMP	2
6	1653	TOGGLE SWITCH BOOT	2	20	2350	Ø3/8 OD PLASTIC WASHER, CABLE STOP	20	34	2684	BLADE FUSE, 5 AMP	2
7	2027	PLASTIC THRUST DUCT SCREW	10	21	2362	Ø7/16 OD WASHER, SS	14	35	2709	#10 MACHINE SCREW, PHILLIPS HD	10
8	2071	SPLIT COTTER PIN	6	22	2367	Ø3/8 OD WASHER, SS	5	36	1570	FAN PIN	3
9	2459	SHEET METAL SCREW, SELF TAPPING	2	23	2551	SMALL WELL NUT, Ø5/16	4	37	7378	Ø1.00 OD SHIM WASHER, 0.005 THK	4
10	2185	Ø3/16 POP RIVIT	30	24	2552	LARGE WELL NUT, Ø3/8	10	38	7379	Ø1.00 OD SHIM WASHER, 0.010 THK	4
11	2192	P-CLIP	10	25	3023	STAINLESS STEEL TIE WIRE	20	39	6187	SPARK PLUG, 100HP HIRTH	3
12	2196	RING TERMINAL FITTING, #6	10	26	3469	PLASTIC HOLE PLUG, BUCKET SHAFT	2	40	4518	#11 TWIST DRILL	1
13	2197	RING TERMINAL FITTING, #10	4	27	3487	PLASTIC RUDDER BEARING	2	41	6138	100HP FAN BLADE	3
14	2198	PUSH-ON TERMINAL FITTING, FEMALE	4	28	3506	RUBBER BUMPER	6	42	5696	100HP MAIN DRIVE BELT, POLYCHAIN	1
43	2378	MARINE SEALANT, BLACK (1tu = 300mL)	1 tu	44	1466	CLEAT	1	45	7324	HT6 REAR PILLOW BLOCK BEARING	1
46	0704	DRAIN PLUG ASSEMBLY	1	46	0704	DRAIN PLUG ASSEMBLY	1	47	3558	REAR HT SKIRT SEGMENT, BLACK	1
47	3557	SIDE HT SKIRT SEGMENT, BLACK	4	48	3557	SIDE HT SKIRT SEGMENT, BLACK	4	49	5362	FRONT HT SKIRT SEGMENT, BLACK	2
48	3557	SIDE HT SKIRT SEGMENT, BLACK	4	50	1302	HIRTH CARBURATED FUEL FILTER	1	51	7828	CHOKE VALVE KIT MODIFIED	1
49	5362	FRONT HT SKIRT SEGMENT, BLACK	2	52	3897	106L TOTE (NOT SHOWN)	1	53	4546	BELT TENSION GAUGE	1
50	1302	HIRTH CARBURATED FUEL FILTER	1	53	4546	BELT TENSION GAUGE	1				



PARTS LIST											
REF. PART #	DESCRIPTION	QTY.	REF. PART #	DESCRIPTION	QTY.	REF. PART #	DESCRIPTION	QTY.	REF. PART #	DESCRIPTION	QTY.
1	2227	5/16 HEX NUT	2	15	2371	PLASTIC WIRE TIE, HEAVY	50	29	3728	PLASTIC HOLE PLUG, STEERING COLUMN	1
2	1033	Ø1/4 CLEVIS PIN, SHORT	2	16	2372	PLASTIC WIRE TIE, LIGHT	10	30	5421	EXHAUST SPRING	2
3	1473	REPLACEMENT BULB, REAR NAV	1	17	2199	PUSH-ON TERMINAL FITTING, MALE	4	31	2102	RUBBER GROMMET	2
4	1481	REPLACEMENT BULB, FRONT NAV	1	18	2203	HOSE CLAMP	2	32	2437	#8 MACHINE SCREW, PHILLIPS HD	4
5	1652	TOGGLE SWITCH	1	19	2342	Ø3/16 CLEVIS PIN, LONG	2	33	9449	BLADE FUSE, 10 AMP	2
6	1653	TOGGLE SWITCH BOOT	2	20	2350	Ø3/8 OD PLASTIC WASHER, CABLE STOP	20	34	9448	BLADE FUSE, 5 AMP	2
7	2027	PLASTIC THRUST DUCT SCREW	10	21	2362	Ø7/16 OD WASHER, SS	14	35	2709	#10 MACHINE SCREW, PHILLIPS HD	10
8	2071	SPLIT COTTER PIN	6	22	2367	Ø3/8 OD WASHER, SS	5	36	1570	FAN PIN	3
9	2459	SHEET METAL SCREW, SELF TAPPING	2	23	2551	SMALL WELL NUT, Ø5/16	4	37	7387	Ø1.00 OD SHIM WASHER, 0.005 THK	8
10	2185	Ø3/16 POP RIVIT	30	24	2552	LARGE WELL NUT, Ø3/8	10	38	7388	Ø1.00 OD SHIM WASHER, 0.010 THK	4
11	2192	P-CLIP	10	25	3023	STAINLESS STEEL TIE WIRE	20	39	5668	SPARK PLUG, 55/65HP HIRTH	2
12	2196	RING TERMINAL FITTING, #6	10	26	3469	PLASTIC HOLE PLUG, BUCKET SHAFT	2	40	4518	#11 TWIST DRILL	1
13	2197	RING TERMINAL FITTING, #10	4	27	3487	PLASTIC RUDDER BEARING	2	41	6137	55/65HP FAN BLADE	3
14	2198	PUSH-ON TERMINAL FITTING, FEMALE	4	28	3506	RUBBER BUMPER	6	42	6365	55/65HP MAIN DRIVE BELT, POLYCHAIN	1
43	2378	MARINE SEALANT, BLACK (1tu = 300mL)	1 tu	44	1466	CLEAT	1	45	1923	HT4 REAR PILLOW BLOCK BEARING	1
46	0704	DRAIN PLUG ASSEMBLY	1	47	3558	REAR HT SKIRT SEGMENT, BLACK	1	48	3557	SIDE HT SKIRT SEGMENT, BLACK	4
49	5362	FRONT HT SKIRT SEGMENT, BLACK	2	49	5362	FRONT HT SKIRT SEGMENT, BLACK	2	50	1302	HIRTH CARBURATED FUEL FILTER	1
51	3897	106L TOTE (NOT SHOWN)	1	51	3897	106L TOTE (NOT SHOWN)	1	52	4545	BELT TENSION GUAGE	1
52	4545	BELT TENSION GUAGE	1	52	4545	BELT TENSION GUAGE	1	7821	55/65HP SPARE PARTS KIT, CARB (CONTAINS ITEMS 1 - 51)	-	



CJ173	3	CHANGED MINI FUSE TO ATO FUSE	8 MAR, 2023
SIG. NO.		REVISION	DATE
1649 TIPPECANOE STREET TERRE HAUTE, INDIANA, U.S.A. 47807-2994 TELEPHONE (812) 234-1150 FAX (812) 234-3217			
CHECKED:	DRAWN:		
CJ173 11-APR-2014	C.STEIMEL		
EW3 14-APR-2014	NAME: 55/65HP SPARE PARTS KIT, CARB		
WEIGHT:	DATE:	NUMBER:	REV.
11.8 LB (26.0 Kg)	02 APR, 2014	16636	3